

EPCOS Product Profile 2016

Power Factor Correction

Power Quality Solutions



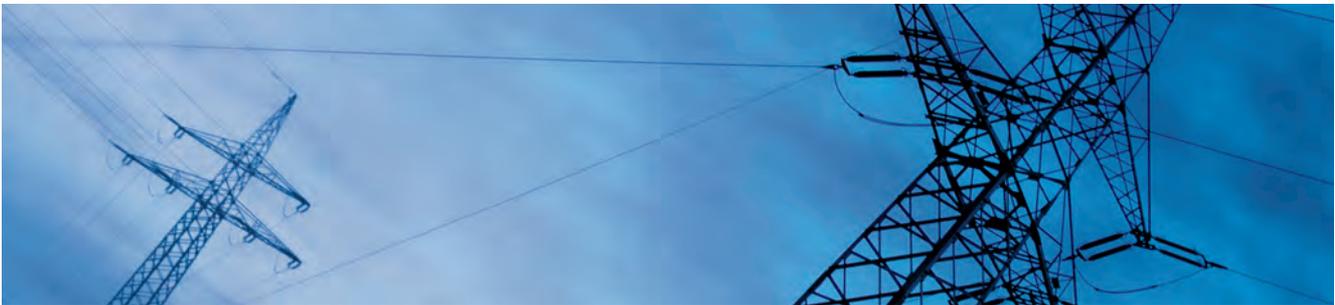
Contents

Power Quality Solutions



Preview	3
PFC capacitor series overview	6
PQS key components overview	8
Important notes	11
PFC capacitors	
● PhaseCap Energy (230 ... 690 V, 5.0 ... 33 kvar)	12
● PhaseCap Premium (230 ... 800 V, 5.0 ... 33 kvar)	24
● PhaseCap Compact (230 ... 1000 V, 5.0 ... 33 kvar)	31
● PhaseCap HD (400 ... 525 V, 40 ... 60 kvar)	37
● DeltaCap (230 ... 525 V, 0.5 ... 33.7 kvar)	40
● PhiCap (230 ... 525 V, 0.5 ... 30 kvar)	47
PF controllers and measuring devices	
● BR604, BR6000, BR7000, BR7000-T, BR7000-I series and BR7000-SOFT	54
● Multi Measuring Interfaces	68
● Grid analysis tool MC7000-3	70
Switching devices	
● Capacitor contactors	72
● Thyristor modules for dynamic PFC, TSM series	75
Reactors	
● Reactors – Antiresonance harmonic filter	79
● Discharge reactor	82
Active harmonic filter	
● PQSine	83
Fundamentals of Power Factor Correction	91
● Components for Power Factor Correction	92
● Standard values: Selection tables for cables, cable cross sections and fuses	95
● Calculation table for reactive power demand (Qc)	97
● Individual PFC for motors	98
● Individual PFC for transformers	99
● Detuned PFC in general	100
● Detuned PFC: Important facts and instructions	101
● Component selection tables for detuned PFC	102
● Dynamic PFC: Important facts and instructions	106
● Component selection tables for dynamic PFC	107
● PFC basic formulas	110
Cautions	113
Addresses	118

Preview



General

The increasing demand of electrical power and the awareness of the necessity of energy saving is very up to date these days. Also the awareness of power quality is increasing, and power factor correction (PFC) and harmonic filtering will be implemented on a growing scale. Enhancing power quality – improvement of power factor – saves costs and ensures a fast return on investment. In power distribution, in low- and medium-voltage networks, PFC focuses on the power flow ($\cos \varphi$) and the optimization of voltage stability by generating reactive power – to improve voltage quality and reliability at distribution level.

How reactive power is generated

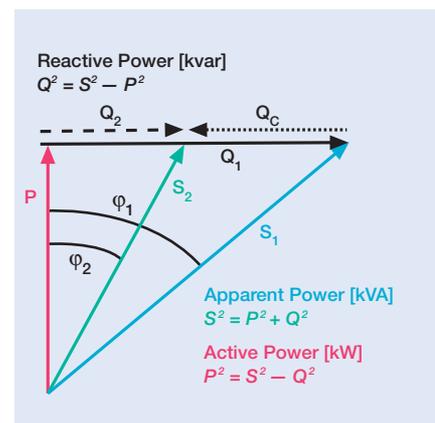
Every electric load that works with magnetic fields (motors, chokes, transformers, inductive heating, arc welding, generators) produces a varying degree of electrical lag, which is called inductance. This lag of inductive loads maintains the current sense (e.g. positive) for a time even though the negative-going voltage tries to reverse it. This phase shift between current and voltage is maintained, current and voltage having opposite signs. During this time, negative power or energy is produced and fed back into the network. When current and voltage have the same sign again, the same amount of energy is again needed to build up the magnetic fields in inductive loads. This magnetic reversal energy is called reactive power.

In AC networks (50/60 Hz) such a process is repeated 50 or 60 times a second. So an obvious solution is to briefly store the magnetic reversal energy in capacitors and relieve the network (supply line) of this reactive energy. For this reason, automatic

reactive power compensation systems (detuned/conventional) are installed for larger loads like industrial machinery. Such systems consist of a group of capacitor units that can be cut in and cut out and which are driven and switched by a power factor controller.

$$\begin{aligned} \text{Apparent power } S &= \sqrt{P^2 + Q^2} \\ \text{Active power } P &= S \cdot \cos \varphi \\ \text{Reactive power } Q &= S \cdot \sin \varphi \end{aligned}$$

With power factor correction the apparent power S can be decreased by reducing the reactive power Q .



Preview



Power factor

Low power factor ($\cos \varphi$)

Low $\cos \varphi$ results in

- higher energy consumption and costs,
- less power distributed via the network,
- power loss in the network,
- higher transformer losses,
- increased voltage drop in power distribution networks.

Power factor improvement

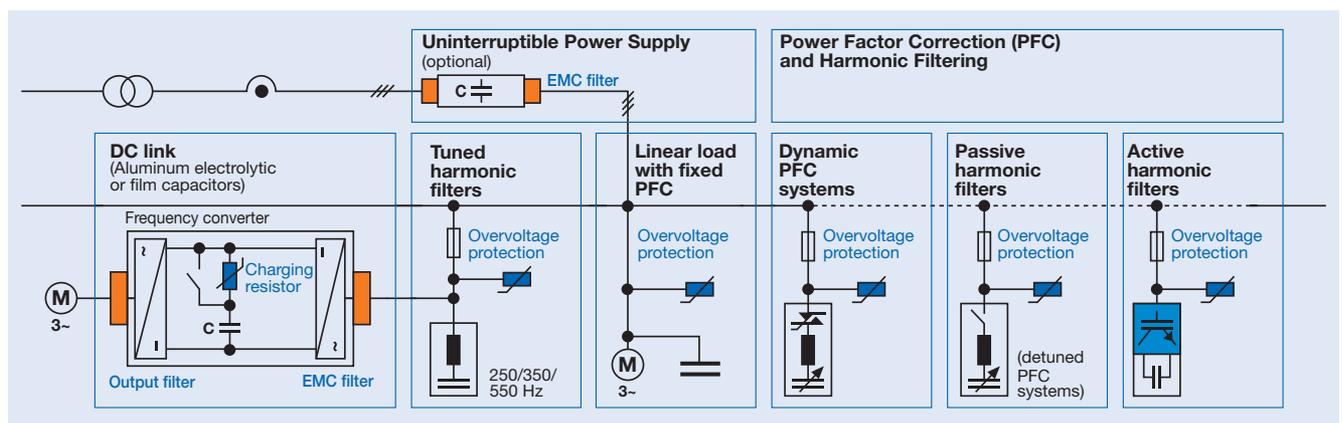
Power factor improvement can be achieved by

- compensation of reactive power with capacitors,
- active compensation – using semiconductors,
- overexcited synchronous machine (motor/generator).

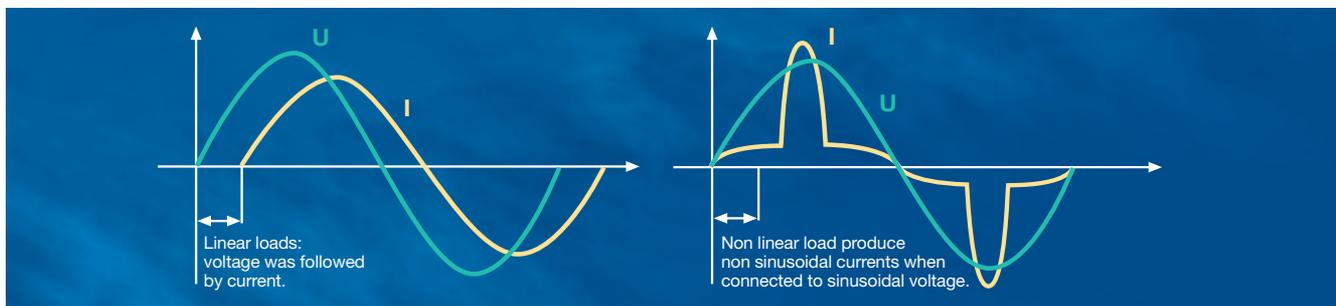
Types of PFC

(detuned or conventional)

- individual or fixed compensation (each reactive power producer is individually compensated),
- group compensation (reactive power producers connected as a group and compensated as a whole),
- central or automatic compensation (by a PFC system at a central point),
- mixed compensation.



Preview



PQS strategy

Along with the emerging demand for power quality and a growing awareness of the need for environmental protection, the complexity in the energy market is increasing: users and decision-makers are consequently finding it increasingly difficult to locate the best product on the market and to make objective decisions. It is in most cases not fruitful to compare catalogs and data sheets, as many of their parameters are identical in line with the relevant standards. Thus operating times are specified on the basis of tests under laboratory conditions that may differ significantly from the reality in the field. In addition, load structures

have changed from being mainly linear in the past to non-linear today. All this produces a clear trend: the market is calling increasingly for customized solutions rather than off-the-shelf products. This is where Power Quality Solutions come into the picture. It offers all key components for an effective PFC system from a single source, together with:

- Application know-how
- Technical skills
- Extensive experience in the field of power quality improvement
- A worldwide network of partners
- Continuous development
- Sharing of information

These are the cornerstones on which Power Quality Solutions are built. On the basis of this strategy, EPCOS is not only the leading manufacturer of power capacitors for PFC applications but also a PQS supplier with a century of field experience, reputation and reliability.

PFC Capacitor Series Overview



PFC capacitor series for power factor correction and detuned filter				
Parameter		PhaseCap Energy	PhaseCap Premium	PhaseCap Compact
Power	Q_R	5.0 ... 33.0 kvar	5.0 ... 33.0 kvar	5.0 ... 33.0 kvar
Rated voltage	V_R	230 ... 690 V AC	230 ... 800 V AC	230 ... 1000 V AC
Inrush current	I_S	up to $500 \cdot I_R$	up to $300 \cdot I_R$	up to $400 \cdot I_R$
Temperature class		-40/60: max. temp. +60 °C max. mean 24 h = +45 °C max. mean 1 year = +35 °C lowest temperature = -40 °C	-40/D: max. temp. +55 °C max. mean 24 h = +45 °C max. mean 1 year = +35 °C lowest temperature = -40 °C	-40/60: max. temp. +60 °C max. mean 24 h = +45 °C max. mean 1 year = +35 °C lowest temperature = -40 °C -40/C: max. temp. +50 °C max. mean 24 h = +40 °C max. mean 1 year = +30 °C lowest temperature = -40 °C
Losses:				
- Dielectric	Q_L	< 0.2 W/kvar	< 0.2 W/kvar	< 0.2 W/kvar
- Total¹⁾	Q_L	< 0.45 W/kvar	< 0.45 W/kvar	< 0.45 W/kvar
Max. humidity	H_{rel}	95%	95%	95%
Safety		B25674A*: triple (self-healing, 3-phase overpressure disconnecter, dry technology) B25675A*: dual (self-healing, 3-phase overpressure disconnecter)	triple (self-healing, overpressure disconnecter, dry technology)	dual (self-healing, 3-phase overpressure disconnecter)
Impregnation		B25674A*: inert gas B25675A*: semi-dry biodegradable resin	inert gas	semi-dry biodegradable resin
Mean life expectancy	$t_{LD (co)}$	B25674A*: up to 180 000 h (temp. class -40/D) up to 160 000 h (temp. class -40/60) B25675A*: up to 200 000 h (temp. class -40/D) up to 180 000 h (temp. class -40/60)	up to 180 000 h (temp. class -40/C) up to 130 000 h (temp. class -40/D)	up to 200 000 h (temp. class -40/C) up to 150 000 h (temp. class -40/60)
Connection		optimized isolated capacitor safety terminals, IP20, (VDE 0106 part 100), for current and connection cable details and terminal type association see terminal and capacitor type list	optimized capacitor safety terminal (IP20), (VDE 0106 part 100), for current and connection cable details and terminal type/capacitor type association see terminal drawings and capacitor type list	optimized capacitor safety terminal (IP20), (VDE 0106 part 100), for current and connection cable details and terminal type/capacitor type association see terminal drawings and capacitor type list
Cooling		natural or forced	natural or forced	natural or forced
Case/shape		aluminum/cylindrical	aluminum/cylindrical	aluminum/cylindrical
Enclosure		IP20, indoor mounting, optionally with terminal cap for IP54 (for diameter 116 and 136 mm)	IP20, indoor mounting, optionally with terminal cap for IP54 (for diameter 116 and 136 mm)	IP20, indoor mounting, optionally with terminal cap for IP54 (for diameter 116 and 136 mm)
Standard		IEC 60831-1+2, Edition 3.0 (2014)	IEC 60831-1+2, UL 810 5 th edition, cUL file # E238746, GOST	IEC 60831-1+2, EN 60831-1+2, UL 810 5 th edition, cUL file # E238746, GOST
Ordering code		Gas filled: B25674A* Resin filled: B25675A*	B25667C*	B25673A* B25673S*
Page		12	24	31
				

¹⁾ Without discharge resistor

PFC Capacitor Series Overview



PhaseCap HD	DeltaCap	PhiCap
40.0 ... 60.0 kvar	0.5 ... 33.7 kvar	0.5 ... 30.0 kvar
400 ... 525 V AC	230 ... 525 V AC	230 ... 525 V AC
up to 300 · I _R	up to 200 · I _R	up to 200 · I _R
-40/D: max. temp. +55 °C max. mean 24 h = +45 °C max. mean 1 year = +35 °C lowest temperature = -40 °C	-40/D: max. temp. +55 °C max. mean 24 h = +45 °C max. mean 1 year = +35 °C lowest temperature = -40 °C -40/C: max. temp. +50 °C max. mean 24 h = +40 °C max. mean 1 year = +30 °C lowest temperature = -40 °C	-40/D: max. temp. +55 °C max. mean 24 h = +45 °C max. mean 1 year = +35 °C lowest temperature = -40 °C
< 0.2 W/kvar < 0.45 W/kvar	< 0.2 W/kvar < 0.45 W/kvar	< 0.2 W/kvar < 0.45 W/kvar
95%	95%	95%
triple (self-healing, overpressure disconnecter, dry technology)	self-healing technology – overpressure disconnecter – isolated terminal (IP20) for B32304 series	dual (self-healing, overpressure disconnecter)
inert gas	biodegradable soft resin, semi-dry	biodegradable soft resin, semi-dry
up to 180 000 h (temp. class -40/C) up to 130 000 h (temp. class -40/D)	up to 150 000 h (temp. class -40/C) up to 115 000 h (temp. class -40/D)	up to 135 000 h (temp. class -40/C) up to 100 000 h (temp. class -40/D)
SIGUT™, block-type safety terminal	B32300*/B32303*: fast-on terminals B32301*/B32304: screw terminals, max. 25 mm ² cable cross-section	B32340 / B32343 series: fast-on terminals B32344 series: optimized capacitor safety terminal, block-type
natural or forced	natural or forced	natural or forced
aluminum/cylindrical	aluminum/cylindrical	aluminum/cylindrical
IP20	P00 for B32300* and B32303* IP20 for B32301 and B32304*	IP00 for B32340/B32343 series; optionally IP54 for B32344 series with terminal cap
IEC 60831-1+2, UL 810 5 th edition, GOST	IEC 60831-1+2, EN60831-1+2, VDE approval	IEC 60831-1+2, UL 810 5 th edition cUL file # E106388 CSA file # C22.2 N°190 MC # 236094, (up to ø 85 mm), GOST
B25669*	B32300*, B32301* B32303* B32304*	B32340C* B32343C* B32344E*
37	40	47

PQS Key Components Overview



Power Factor Controllers					
Parameter	BR7000-I BR7000-I/S485	BR7000-I-TH BR7000-I-TH/S485	BR7000/BR7000-HD BR7000-T	BR6000-R BR6000-T	BR604
Supply voltage	110 ... 230 V AC $\pm 15\%$				230 V AC
Measurement voltage range	30 ... 440 V AC (L-N), 50 ... 760 V AC (L-L)	30 ... 440 V AC (L-N), 50 ... 760 V AC (L-L)	3 · 30 ... 440 V AC (L-N), 3 · 50 ... 760 V AC (L-L)	30 ... 525 V AC (L-N) or (L-L)	230 V AC
Measurement current	X:5A/X:1A selectable	X:5A/X:1A selectable	3 x X:5A/X:1A selectable	X/5 or X:1A selectable	X/5 or X:1A selectable
Frequency	50/60 Hz				
Sensitivity	50 mA/10 mA				
Output stages	Relay outputs	Transistor outputs	Interface	Dynamic PFC	Ordering code
BR7000-I	12+1	–	–	no	B44066R7012E230
BR7000-I/S485	12+1	–	RS485	no	B44066R7112E230
BR7000-I-TH	12	12	–	yes	B44066R7412E230
BR7000-I-TH/S485	12	12	RS485	yes	B44066R7612E230
BR7000	15	–	2 x RS485	no	B44066R7415E230
BR7000-HD	15	–	2 x RS485	no	B44066R7515E230
BR7000-T	–	15	2 x RS485	yes	B44066R7615E230
BR7000-T/HD	–	15	2 x RS485	yes	B44066R7715E230
BR604	4	–	–	no	B44066R6004E230
BR6000-R6	6	–	–	no	B44066R6006E230
BR6000-R6/HD	6	–	–	no	B44066R6506E230
BR6000-R12	12	–	–	no	B44066R6012E230
BR6000-R12/HD	12	–	–	no	B44066R6512E230
BR6000-T6	–	6	–	yes	B44066R6106E230
Page	56	56	59	54	54



BR7000



BR6000



BR604

Multi measuring interfaces			
Parameter	MMI6000	MMI7000	MMI8003
Operating voltage	230 V AC	110 ... 230 V AC	24 V DC
Measurement voltage	230 V AC, single-phase	3 · 30 ... 440 V AC (L-N) 3 · 50 ... 760 V AC (L-L)	3 · 30 ... 440 V AC (L-N) 3 · 50 ... 690 V AC (L-L)
Measurement current	X/5 or X/1 selectable	Three phase X:5A/X:1A selectable	Three phase X:5A/X:1A selectable
Frequency	50/60 Hz	50/60 Hz	10 ... 80 Hz
Power consumption	< 4 VA	< 5 VA	< 1 VA
Ordering code	B44066M6 ... E230	B44066M7... E230	B44066M8003E024
Page	68	68	68



MMI6000



MMI7000



MMI8003

PQS Key Components Overview



Grid analysis tool MC7000-3

Parameter	MC7000-3
Operating voltage	110 ... 230 V AC \pm 15%
Max. measuring voltage¹⁾ (3-phase)	3 · 30 ... 440 V AC (L-N), 50/60 Hz 3 · 50 ... 760 V AC (L-L), 50/60 Hz
Max. measuring current (3-phase)	30, 300, 3000 A
Frequency	50/60 Hz
Ordering code	B44066M7777E230
Page	70



¹⁾ incl. all tolerances and voltages

Switching devices

Parameter	Capacitor contactors	Thyristor modules	Reactors – Antiresonance harmonic filter
Voltage	230 ... 690 V	Thyristor switch for dynamic PFC systems TSM-LC-I: 230 ... 525 V TSM-LC*: 380 ... 440 V TSM-LC-S: 200 ... 440 V TSM-LC-N690: 380 ... 690 V TSM-HV: 690 V	400 and 440 V
Output range	12.5 ... 100 kvar	TSM-LC-I: 10 ... 22 kvar, depending on voltage TSM-LC: 10 ... 200 kvar, depending on the voltage TSM-HV: 200 kvar	10 ... 100 kvar
Frequency	50/60 Hz	50/60 Hz	50 or 60 Hz
De-tuning		suitable for detuned and conventional systems	factor: 5.67%, 7%, 14%
Ordering code	B44066S...J230/J110 for all PFC systems B44066S...N230/N110 for detuned PFC systems only	TSM-LC-I: B44066T1022E520 TSM-LC*: B44066T...E402 TSM-LC-N690: B44066T3050E690 TSM-HV200: B44066T0200E690	B44066D*
Page	72	75	79



PQS Key Components Overview



Active Harmonic Filter and Power Optimizer PQSine

Parameter	
System input/number of phase	3-phase/3-wire; 3-phase/4-wire
Input voltage (min/max)	3P3W device: 180 V ... 528 V, 3P4W device: 180 V... 460 V
Rated filter current	60 ... 600 A
Neutral current filter capability	3P4W type is a true 4-wire system compensation current of the neutral line which is 3 times the rated phase current compensation (e.g. neutral current compensation in case of a 60 A module is 180 A)
Inverter technology	Three-level NPC topology, IGBT
Frequency	50/60 Hz \pm 3 Hz
Switching frequency	24 kHz
Control frequency	48 kHz
Reaction time	21 μ s (immediate load change reaction)
Steady state response time	< 300 μ s (steady state response time to full steady state compensation)
Digital control algorithm	Selective Direct Control algorithm (no internal FFT algorithm needed)
Harmonic compensation	up to the 50 th harmonic order (individually selectable)
Load balancing function	Yes
Current transformer placement	Load or main side (selectable)
Ambient temperature	-10 till +40 °C, up to 55 °C with derating (2%/K)
Variants	
Wall mounted	3P4W: 60 or 120 A 3P3W: 60 or 120 A
Floor mounted	3P4W: 180 to 600 A 3P3W: 180 to 600 A
Module	3P4W: 60 A 3P3W: 60 A
Ordering code	B44066F****N****
Page	83



Accessories	Ordering code
SU sensor unit	B44066F8888N230
7" TFT color control / display touch screen	B44066F9007N230
12" TFT color control / display touch screen	B44066F9012N230
7" TFT portable and rugged equipment case (for parametrization of the PQS modules without display, including power supply)	B44066F9907N230
12.1" TFT portable and rugged equipment case (for parametrization of the PQS modules without display, including power supply)	B44066F9912N230



Important Notes

The following applies to all products named in this publication:

1. Some parts of this publication contain **statements about the suitability of our products for certain areas of application**. These statements are based on our knowledge of typical requirements that are often placed on our products in the areas of application concerned. We nevertheless expressly point out **that such statements cannot be regarded as binding statements about the suitability of our products for a particular customer application**. As a rule, EPCOS is either unfamiliar with individual customer applications or less familiar with them than the customers themselves. For these reasons, it is always ultimately incumbent on the customer to check and decide whether an EPCOS product with the properties described in the product specification is suitable for use in a particular customer application.
2. We also point out that **in individual cases, a malfunction of electronic components or failure before the end of their usual service life cannot be completely ruled out in the current state of the art, even if they are operated as specified**. In customer applications requiring a very high level of operational safety and especially in customer applications in which the malfunction or failure of an electronic component could endanger human life or health (e.g. in accident prevention or life-saving systems), it must therefore be ensured by means of suitable design of the customer application or other action taken by the customer (e.g. installation of protective circuitry or redundancy) that no injury or damage is sustained by third parties in the event of malfunction or failure of an electronic component.
3. **The warnings, cautions and product-specific notes must be observed.**
4. In order to satisfy certain technical requirements, **some of the products described in this publication may contain substances subject to restrictions in certain jurisdictions (e.g. because they are classed as hazardous)**. Useful information on this will be found in our Material Data Sheets on the Internet (www.epcos.com/material). Should you have any more detailed questions, please contact our sales offices.
5. We constantly strive to improve our products. Consequently, **the products described in this publication may change from time to time**. The same is true of the corresponding product specifications. Please check therefore to what extent product descriptions and specifications contained in this publication are still applicable before or when you place an order.

We also **reserve the right to discontinue production and delivery of products**. Consequently, we cannot guarantee that all products named in this publication will always be available.

The aforementioned does not apply in the case of individual agreements deviating from the foregoing for customer-specific products.
6. Unless otherwise agreed in individual contracts, **all orders are subject to the current version of the "General Terms of Delivery for Products and Services in the Electrical Industry" published by the German Electrical and Electronics Industry Association (ZVEI)**.
7. The trade names EPCOS, Alu-X, CeraDiode, CeraLink, CeraPad, CeraPlas, CSMP, CSSP, CTVS, DeltaCap, DigiSiMic, DSSP, ExoCore, FilterCap, FormFit, LeaYield, MiniBlue, MiniCell, MKD, MKK, MotorCap, PCC, PhaseCap, PhaseCube, PhaseMod, PhiCap, PQSine, SIFERRIT, SIFI, SIKOREL, SilverCap, SIMDAD, SiMic, SIMID, SineFormer, SIOV, SIP5D, SIP5K, TFAP, ThermoFuse, WindCap are **trademarks registered or pending** in Europe and in other countries. Further information will be found on the Internet at www.epcos.com/trademarks.

PhaseCap Energy PFC Capacitors

Gas or soft resin impregnated • Stacked winding • Wavy cut • Triple or dual safety system



General

The series PhaseCap Energy represents a new generation of capacitors for power factor correction (PFC). On basis of the well proven MKK-technology, this follow-on development of the PhaseCap series offers some major enhancements. A service life expectation of up to 200 000 hours, an increased inrush current capability of up to $500 \cdot I_R$ and reduced can dimensions make the PhaseCap Energy the ideal capacitor for industrial applications that call for high reliability.

PhaseCap Energy is available in two versions: Series B25674A is gas filled, series B25675A with semi-dry biodegradable soft resin. Both series are equipped with self-healing properties and three-phase overpressure disconnecter. A voltage range from 230 to 690 V, outputs of 5.0 to 33.0 kvar and four different terminal types allow the selection of the customized capacitor type.



Applications

- Automatic PFC equipment, capacitor banks
- Individual fixed PFC (e.g. motors, transformers, lighting)
- Group fixed PFC
- Tuned and detuned capacitor banks
- Dynamic PFC

Features

- Compact design in cylindrical aluminum can with stud
- Stacked winding
- MKK-technology with wavy cut and heavy edge
- Voltage range 230 V ... 690 V
- Output range 5.0 kvar ... 33 kvar

Electrical

- Long life expectancy up to 200 000 hours at temperature class -40/60
- High pulse current withstand capability
- High long term stability

Mechanical and maintenance

- Reduced mounting costs
- Maintenance-free
- Highest packing density thanks to compact dimensions

Safety

- Self-healing
- Overpressure disconnecter
- Shock hazard protected terminals
- Ceramic discharge resistor pre-mounted

PhaseCap Energy PFC Capacitors

Gas or soft resin impregnated • Stacked winding • Wavy cut • Triple or dual safety system



Technical data and limit values		
Standards IEC 60831-1+2		
Overvoltage	V_{max}	$V_R + 10\%$ (up to 8 h daily) / $V_R + 15\%$ (up to 30 min daily) / $V_R + 20\%$ (up to 5 min daily) / $V_R + 30\%$ (up to 1 min daily)
Overcurrent	I_{max}	up to $1.6 \dots 2.0 \cdot I_R$ including combined effects of harmonics, overvoltages and capacitance tolerance
Inrush current	I_S	up to $500 \cdot I_R$, depending on the particular type
Losses: – Dielectric – Total*		< 0.2 W/kvar < 0.45 W/kvar
Rated frequency	f	50/60 Hz
Capacitance tolerance		–5% / +10%
Test voltage, terminal / terminal	V_{TT}	$2.15 \cdot V_{R1}$, AC, 2 s
Test voltage, terminal / case	V_{TC}	3600 V AC / 50 Hz, 2 s up to $V_R = 525$ V, 6000 V AC / 50 Hz, 2 s up to $V_R = 525$ V
Mean life expectancy	$t_{LD(Co)}$	B25674A: up to 180 000 h (temp. class –40/D); up to 160 000 h (temp. class –40/60) B25675A: up to 200 000 h (temp. class –40/D); up to 180 000 h (temp. class –40/60)
Ambient temperature		–40/60; max. temp. +60 °C; max. mean 24 h = +45 °C; max. mean 1 year = +35 °C; lowest temperature = –40 °C
Cooling		natural or forced
Humidity	H_{rel}	max. 95%
Altitude		max. 4000 m above sea level
Mounting position		upright / horizontal
Mounting and grounding		threaded M12 stud on bottom of case
Safety		three-phase overpressure disconnecter, self-healing, maximum allowed fault current 10 000 A in accordance with UL 810 standard
Discharge device		ceramic discharge module or discharge module block
Case		extruded aluminum can
Enclosure		IP20, indoor mounting (optionally with terminal cap for IP54)
Dielectric		polypropylene film
Impregnation		B25674A: inert gas B25675A: semi-dry biodegradable resin
Terminals		optimized capacitor safety terminal with electric shock protection (IP20), (VDE 0106 part 100), max. 25 mm ² cable cross-section, max. current 80 A
Certification		in progress
Number of switching operations		max. 15 000 switchings per year

* Without discharge resistor

PhaseCap Energy PFC Capacitors

Gas or soft resin impregnated • Stacked winding • Wavy cut • Triple or dual safety system



Gas filled capacitors										
Type	50 Hz		60 Hz		C _R μF	Terminal type	d x h mm	Weight kg	Ordering code	Packing unit*
	Output kvar	I _R A	Output kvar	I _R A						
Rated voltage 230 V AC, 50/60 Hz, delta connection										
MKK230-D-5.0-03	5.0	12.6	6.0	15.1	3 · 100.3	A	75 x 218	0.9	B25674A2052J030	9
MKK230-D-7.5-03	7.5	18.8	9.0	22.6	3 · 150.4	B	100 x 192	1.4	B25674A2072J530	6
MKK230-D-10.0-03	10.0	25.1	12.0	30.1	3 · 200.5	B	100 x 224	1.7	B25674A2102J030	4
MKK230-D-12.5-03	12.5	31.4	15.0	37.7	3 · 250.7	B	116 x 207	2.1	B25674A2122J530	4
MKK230-D-15.0-03	15.0	37.7	–	–	3 · 300.8	B	125 x 207	2.4	B25674A2152J030	4
Rated voltage 400 V AC, 50/60 Hz, delta connection										
MKK400-D-5.0-03	5.0	7.2	6.0	8.7	3 · 33.2	A	75 x 164	0.7	B25674A4052J000	6
MKK400-D-6.3-03	6.3	9.1	7.6	11.0	3 · 41.8	A	75 x 164	0.7	B25674A4062J300	6
MKK400-D-7.5-03	7.5	10.8	9.0	13.0	3 · 49.7	A	75 x 200	0.8	B25674A4072J500	6
MKK400-D-8.3-03	8.3	12.0	10.0	14.4	3 · 55.0	A	75 x 200	0.8	B25674A4082J300	6
MKK400-D-10.4-03	10.4	15.0	12.5	18.0	3 · 69.0	A	75 x 218	0.9	B25674A4102J400	9
MKK400-D-12.5-03	12.5	18.0	15.0	21.7	3 · 82.9	A	85 x 200	1.1	B25674A4122J500	9
MKK400-D-15.0-03	15.0	21.7	18.0	26.0	3 · 99.5	A	85 x 218	1.2	B25674A4152J000	4
MKK400-D-16.7-03	16.7	24.1	20.0	28.9	3 · 110.7	B	100 x 207	1.6	B25674A4162J700	6
MKK400-D-20.0-03	20.0	28.9	24.0	34.6	3 · 132.6	B	100 x 224	1.7	B25674A4202J000	4
MKK400-D-25.0-03	25.0	36.1	30.0	43.3	3 · 165.8	B	116 x 192	1.9	B25674A4252J000	4
MKK400-D-28.1-03	28.1	40.6	–	–	3 · 186.3	B	125 x 192	2.3	B25674A4282J100	4
MKK400-D-30.0-03	30.0	43.3	–	–	3 · 198.9	B	116 x 224	2.3	B25674A4302J000	4
MKK400-D-33.0-03	33.0	47.6	–	–	3 · 218.8	B	125 x 207	2.4	B25674A4332J000	4
Rated voltage 415 V AC, 50/60 Hz, delta connection										
MKK415-D-5.0-03	5.0	7.0	6.0	8.3	3 · 30.8	A	75 x 164	0.7	B25674A4052J015	6
MKK415-D-6.3-03	6.3	8.8	7.6	10.6	3 · 38.8	A	75 x 164	0.7	B25674A4062J315	6
MKK415-D-7.5-03	7.5	10.4	9.0	12.5	3 · 46.2	A	75 x 200	0.8	B25674A4072J515	6
MKK415-D-8.3-03	8.3	11.5	10.0	13.9	3 · 51.1	A	75 x 200	0.8	B25674A4082J315	6
MKK415-D-10.4-03	10.4	14.5	12.5	17.4	3 · 64.1	A	75 x 200	0.8	B25674A4102J415	6
MKK415-D-12.5-03	12.5	17.4	15.0	20.9	3 · 77.0	A	85 x 200	1.1	B25674A4122J515	9
MKK415-D-15.0-03	15.0	20.9	18.0	25.0	3 · 92.4	A	85 x 200	1.1	B25674A4152J015	9
MKK415-D-16.7-03	16.7	23.2	20.0	27.8	3 · 102.9	B	100 x 207	1.6	B25674A4162J715	6
MKK415-D-20.0-03	20.0	27.8	24.0	33.4	3 · 123.2	B	100 x 207	1.6	B25674A4202J015	6
MKK415-D-25.0-03	25.0	34.8	30.0	41.7	3 · 154.0	B	116 x 192	1.9	B25674A4252J015	4
MKK415-D-28.1-03	28.1	39.1	–	–	3 · 173.1	B	116 x 207	2.1	B25674A4282J115	4
MKK415-D-30.0-03	30.0	41.7	–	–	3 · 184.8	B	116 x 207	2.1	B25674A4302J015	4
MKK415-D-33.0-03	33.0	45.9	–	–	3 · 203.3	B	116 x 224	2.3	B25674A4332J015	4

*Packing units for capacitors equal minimum order quantity.
Orders will be rounded up to packing unit or multiple thereof.

PhaseCap Energy PFC Capacitors

Gas or soft resin impregnated • Stacked winding • Wavy cut • Triple or dual safety system



Gas filled capacitors

Type	50 Hz		60 Hz		C _R μF	Terminal type	d x h mm	Weight kg	Ordering code	Packing unit*
	Output kvar	I _R A	Output kvar	I _R A						
Rated voltage 440 V AC, 50/60 Hz, delta connection										
MKK440-D-5.0-03	5.0	6.6	6.0	7.9	3 · 27.4	A	75 x 164	0.7	B25674A4052J040	6
MKK440-D-6.0-03	6.0	7.9	7.2	9.4	3 · 32.9	A	75 x 164	0.7	B25674A4062J040	6
MKK440-D-6.3-03	6.3	8.3	7.6	10.0	3 · 34.5	A	75 x 164	0.7	B25674A4062J340	6
MKK440-D-7.0-03	7.0	9.2	8.4	11.0	3 · 38.4	A	75 x 200	0.8	B25674A4072J040	6
MKK440-D-7.5-03	7.5	9.8	9.0	11.8	3 · 41.1	A	75 x 200	0.8	B25674A4072J540	6
MKK440-D-8.0-03	8.0	10.5	9.6	12.6	3 · 43.8	A	75 x 200	0.8	B25674A4082J040	6
MKK440-D-8.3-03	8.3	10.9	10.0	13.1	3 · 45.5	A	75 x 200	0.8	B25674A4082J340	6
MKK440-D-9.0-03	9.0	11.8	10.8	14.2	3 · 49.3	A	75 x 200	0.8	B25674A4092J040	6
MKK440-D-10.0-03	10.0	13.1	12.0	15.7	3 · 54.8	A	75 x 200	0.8	B25674A4102J040	6
MKK440-D-10.4-03	10.4	13.6	12.5	16.4	3 · 57.0	A	85 x 200	1.1	B25674A4102J440	9
MKK440-D-12.0-03	12.0	15.7	14.4	18.9	3 · 65.8	A	85 x 200	1.1	B25674A4122J040	9
MKK440-D-12.5-03	12.5	16.4	15.0	19.7	3 · 68.5	A	85 x 200	1.1	B25674A4122J540	9
MKK440-D-14.2-03	14.2	18.6	17.0	22.3	3 · 77.8	A	85 x 200	1.1	B25674A4142J240	9
MKK440-D-15.0-03	15.0	19.7	18.0	23.6	3 · 82.2	A	85 x 218	1.2	B25674A4152J040	4
MKK440-D-16.7-03	16.7	21.9	20.0	26.2	3 · 91.5	B	100 x 207	1.6	B25674A4162J740	6
MKK440-D-18.8-03	18.8	24.7	22.6	29.7	3 · 103.0	B	100 x 207	1.6	B25674A4182J840	6
MKK440-D-20.0-03	20.0	26.2	24.0	31.5	3 · 109.6	B	100 x 207	1.6	B25674A4202J040	6
MKK440-D-25.0-03	25.0	32.8	30.0	39.4	3 · 137.0	B	116 x 192	1.9	B25674A4252J040	4
MKK440-D-28.1-03	28.1	36.9	–	–	3 · 154.0	B	116 x 207	2.1	B25674A4282J140	4
MKK440-D-30.0-03	30.0	39.4	–	–	3 · 164.4	B	125 x 192	2.3	B25674A4302J040	4
MKK440-D-33.1-03	33.1	43.4	–	–	3 · 181.4	B	116 x 224	2.3	B25674A4332J140	4
Rated voltage 480 V AC, 50/60 Hz, delta connection										
MKK480-D-5.0-03	5.0	6.0	6.0	7.2	3 · 23.0	A	75 x 164	0.7	B25674A4052J080	6
MKK480-D-6.3-03	6.3	7.6	7.6	9.1	3 · 29.0	A	75 x 164	0.7	B25674A4062J380	6
MKK480-D-7.5-03	7.5	9.0	9.0	10.8	3 · 34.5	A	75 x 200	0.8	B25674A4072J580	6
MKK480-D-8.3-03	8.3	10.0	10.0	12.0	3 · 38.2	A	75 x 200	0.8	B25674A4082J380	6
MKK480-D-10.4-03	10.4	12.5	12.5	15.0	3 · 47.9	A	75 x 200	0.8	B25674A4102J480	6
MKK480-D-11.0-03	11.0	13.2	13.2	15.9	3 · 50.7	A	85 x 200	1.1	B25674A4112J080	9
MKK480-D-12.5-03	12.5	15.0	15.0	18.0	3 · 57.6	A	85 x 200	1.1	B25674A4122J580	9
MKK480-D-13.8-03	13.8	16.6	16.6	20.0	3 · 63.5	A	85 x 200	1.1	B25674A4132J880	9
MKK480-D-15.0-03	15.0	18.0	18.0	21.7	3 · 69.1	B	100 x 207	1.6	B25674A4152J080	6
MKK480-D-16.7-03	16.7	20.1	20.0	24.1	3 · 76.9	B	100 x 207	1.6	B25674A4162J780	6
MKK480-D-20.0-03	20.0	24.1	24.0	28.9	3 · 92.1	B	100 x 207	1.6	B25674A4202J080	6
MKK480-D-20.8-03	20.8	25.0	25.0	30.1	3 · 95.8	B	116 x 207	2.1	B25674A4202J880	4
MKK480-D-22.0-03	22.0	26.5	26.4	31.8	3 · 101.3	B	116 x 207	2.1	B25674A4222J080	4
MKK480-D-25.0-03	25.0	30.1	30.0	36.1	3 · 115.1	B	116 x 192	1.9	B25674A4252J080	4
MKK480-D-28.1-03	28.1	33.8	–	–	3 · 129.4	B	116 x 207	2.1	B25674A4282J180	4
MKK480-D-30.0-03	30.0	36.1	–	–	3 · 138.1	B	125 x 192	2.3	B25674A4302J080	4
MKK480-D-31.0-03	31.0	37.3	–	–	3 · 142.7	B	125 x 192	2.3	B25674A4312J080	4
MKK480-D-33.0-03	33.0	39.7	–	–	3 · 152.0	B	116 x 224	2.3	B25674A4332J080	4

*Packing units for capacitors equal minimum order quantity.
Orders will be rounded up to packing unit or multiple thereof.

PhaseCap Energy PFC Capacitors

Gas or soft resin impregnated • Stacked winding • Wavy cut • Triple or dual safety system



Gas filled capacitors										
Type	50 Hz		60 Hz		C _R μF	Terminal type	d x h mm	Weight kg	Ordering code	Packing unit*
	Output kvar	I _R A	Output kvar	I _R A						
Rated voltage 525 V AC, 50/60 Hz, delta connection										
MKK525-D-5.0-03	5.0	5.5	6.0	6.6	3 · 19.2	A	75 x 164	0.7	B25674A5052J025	6
MKK525-D-6.3-03	6.3	6.9	7.6	8.4	3 · 24.2	A	75 x 164	0.7	B25674A5062J325	6
MKK525-D-7.5-03	7.5	8.2	9.0	9.9	3 · 28.9	A	75 x 185	0.8	B25674A5072J525	6
MKK525-D-8.3-03	8.3	9.1	10.0	11.0	3 · 31.9	A	75 x 200	0.8	B25674A5082J325	6
MKK525-D-10.4-03	10.4	11.4	12.5	13.7	3 · 40.0	A	85 x 185	1.0	B25674A5102J425	9
MKK525-D-12.5-03	12.5	13.7	15.0	16.5	3 · 48.1	A	85 x 200	1.1	B25674A5122J525	9
MKK525-D-13.2-03	13.2	14.5	15.8	17.4	3 · 50.8	A	85 x 200	1.1	B25674A5132J225	9
MKK525-D-15.0-03	15.0	16.5	18.0	19.8	3 · 57.7	A	85 x 218	1.2	B25674A5152J025	4
MKK525-D-16.7-03	16.7	18.4	20.0	22.0	3 · 64.3	B	100 x 207	1.6	B25674A5162J725	6
MKK525-D-20.0-03	20.0	22.0	24.0	26.4	3 · 77.0	B	100 x 224	1.7	B25674A5202J025	4
MKK525-D-20.8-03	20.8	22.9	25.0	27.5	3 · 80.1	B	100 x 224	1.7	B25674A5202J825	4
MKK525-D-25.0-03	25.0	27.5	30.0	33.0	3 · 96.2	B	116 x 207	2.1	B25674A5252J025	4
MKK525-D-26.5-03	26.5	29.1	31.8	35.0	3 · 102.0	B	116 x 207	2.1	B25674A5262J525	4
MKK525-D-28.1-03	28.1	30.9	–	–	3 · 108.2	B	125 x 192	2.3	B25674A5282J125	4
MKK525-D-30.0-03	30.0	33.0	–	–	3 · 115.5	B	125 x 207	2.4	B25674A5302J025	4
MKK525-D-33.1-03	33.1	36.4	–	–	3 · 127.4	B	136 x 192	2.7	B25674A5332J125	4
Rated voltage 600 V AC, 50/60 Hz, delta connection										
MKK600-D-5.3-03	5.3	5.1	6.4	6.2	3 · 15.6	C	75 x 185	0.8	B25674A6052J300	6
MKK600-D-6.2-03	6.2	6.0	7.4	7.1	3 · 18.3	C	75 x 185	0.8	B25674A6062J200	6
MKK600-D-6.9-03	6.9	6.6	8.3	8.0	3 · 20.3	C	75 x 200	0.8	B25674A6062J900	6
MKK600-D-8.3-03	8.3	8.0	10.0	9.6	3 · 24.5	C	75 x 218	0.9	B25674A6082J300	9
MKK600-D-10.4-03	10.4	10.0	12.5	12.0	3 · 30.6	C	85 x 200	1.1	B25674A6102J400	9
MKK600-D-12.5-03	12.5	12.0	15.0	14.4	3 · 36.8	D	100 x 192	1.4	B25674A6122J500	6
MKK600-D-13.9-03	13.9	13.4	16.7	16.1	3 · 41.0	D	100 x 207	1.6	B25674A6132J900	6
MKK600-D-14.6-03	14.6	14.0	17.5	16.8	3 · 43.0	D	100 x 207	1.6	B25674A6142J600	6
MKK600-D-16.7-03	16.7	16.1	20.0	19.2	3 · 49.2	D	100 x 224	1.7	B25674A6162J700	4
MKK600-D-20.0-03	20.0	19.2	24.0	23.1	3 · 58.9	D	116 x 207	2.1	B25674A6202J000	4
MKK600-D-20.8-03	20.8	20.0	25.0	24.1	3 · 61.3	D	116 x 207	2.1	B25674A6202J800	4
MKK600-D-25.0-03	25.0	24.1	30.0	28.9	3 · 73.7	D	125 x 207	2.4	B25674A6252J000	4
MKK600-D-28.0-03	28.0	26.9	–	–	3 · 82.5	D	136 x 192	2.7	B25674A6282J000	4
MKK600-D-30.0-03	30.0	28.9	–	–	3 · 88.4	D	136 x 207	2.9	B25674A6302J000	4

*Packing units for capacitors equal minimum order quantity.
Orders will be rounded up to packing unit or multiple thereof.

PhaseCap Energy PFC Capacitors

Gas or soft resin impregnated • Stacked winding • Wavy cut • Triple or dual safety system



Gas filled capacitors

Type	50 Hz		60 Hz		C _R μF	Terminal type	d x h mm	Weight kg	Ordering code	Packing unit*
	Output kvar	I _R A	Output kvar	I _R A						
Rated voltage 690 V AC, 50/60 Hz, delta connection										
MKK690-D-5.3-03	5.3	4.4	6.4	5.4	3 · 11.8	C	75 x 185	0.8	B25674A6052J390	6
MKK690-D-6.2-03	6.2	5.2	7.4	6.2	3 · 13.8	C	75 x 200	0.8	B25674A6062J290	6
MKK690-D-6.9-03	6.9	5.8	8.3	6.9	3 · 15.4	C	75 x 200	0.8	B25674A6062J990	6
MKK690-D-8.3-03	8.3	6.9	10.0	8.4	3 · 18.5	C	75 x 200	0.8	B25674A6082J390	6
MKK690-D-10.4-03	10.4	8.7	12.5	10.5	3 · 23.2	C	75 x 200	0.8	B25674A6102J490	6
MKK690-D-12.5-03	12.5	10.5	15.0	12.6	3 · 27.9	C	85 x 200	1.1	B25674A6122J590	9
MKK690-D-13.9-03	13.9	11.6	16.7	14.0	3 · 31.0	C	85 x 200	1.1	B25674A6132J990	9
MKK690-D-14.6-03	14.6	12.2	17.5	14.6	3 · 32.5	D	100 x 207	1.6	B25674A6142J690	6
MKK690-D-16.7-03	16.7	14.0	20.0	16.7	3 · 37.2	D	100 x 192	1.4	B25674A6162J790	6
MKK690-D-20.0-03	20.0	16.7	24.0	20.1	3 · 44.6	D	100 x 207	1.6	B25674A6202J090	6
MKK690-D-20.8-03	20.8	17.4	25.0	20.9	3 · 46.3	D	100 x 224	1.7	B25674A6202J890	4
MKK690-D-25.0-03	25.0	20.9	30.0	25.1	3 · 55.7	D	116 x 192	1.9	B25674A6252J090	4
MKK690-D-28.0-03	28.0	23.4	–	–	3 · 62.4	D	116 x 207	2.1	B25674A6282J090	4
MKK690-D-30.0-03	30.0	25.1	–	–	3 · 66.8	D	125 x 192	2.3	B25674A6302J090	4

*Packing units for capacitors equal minimum order quantity.
Orders will be rounded up to packing unit or multiple thereof.

PhaseCap Energy PFC Capacitors

Gas or soft resin impregnated • Stacked winding • Wavy cut • Triple or dual safety system



Resin filled capacitors										
Type	50 Hz		60 Hz		C _R μF	Terminal type	d x h mm	Weight kg	Ordering code	Packing unit*
	Output kvar	I _R A	Output kvar	I _R A						
Rated voltage 230 V AC, 50/60 Hz, delta connection										
MKK230-D-5.0-04	5.0	12.6	6.0	15.1	3 · 100.3	A	75 x 218	1.1	B25675A2052J030	9
MKK230-D-7.5-04	7.5	18.8	9.0	22.6	3 · 150.4	B	100 x 192	1.8	B25675A2072J530	6
MKK230-D-10.0-04	10.0	25.1	12.0	30.1	3 · 200.5	B	100 x 224	2.1	B25675A2102J030	4
MKK230-D-12.5-04	12.5	31.4	15.0	37.7	3 · 250.7	B	116 x 207	2.6	B25675A2122J530	4
MKK230-D-15.0-04	15.0	37.7	–	–	3 · 300.8	B	125 x 207	3.0	B25675A2152J030	4
Rated voltage 400 V AC, 50/60 Hz, delta connection										
MKK400-D-5.0-04	5.0	7.2	6.0	8.7	3 · 33.2	A	75 x 164	0.9	B25675A4052J000	6
MKK400-D-6.3-04	6.3	9.1	7.6	11.0	3 · 41.8	A	75 x 164	0.9	B25675A4062J300	6
MKK400-D-7.5-04	7.5	10.8	9.0	13.0	3 · 49.7	A	75 x 200	1.1	B25675A4072J500	6
MKK400-D-8.3-04	8.3	12.0	10.0	14.4	3 · 55.0	A	75 x 200	1.1	B25675A4082J300	6
MKK400-D-10.4-04	10.4	15.0	12.5	18.0	3 · 69.0	A	75 x 218	1.1	B25675A4102J400	9
MKK400-D-12.5-04	12.5	18.0	15.0	21.7	3 · 82.9	A	85 x 200	1.3	B25675A4122J500	9
MKK400-D-15.0-04	15.0	21.7	18.0	26.0	3 · 99.5	A	85 x 218	1.5	B25675A4152J000	4
MKK400-D-16.7-04	16.7	24.1	20.0	28.9	3 · 110.7	B	100 x 207	1.9	B25675A4162J700	6
MKK400-D-20.0-04	20.0	28.9	24.0	34.6	3 · 132.6	B	100 x 224	2.1	B25675A4202J000	4
MKK400-D-25.0-04	25.0	36.1	30.0	43.3	3 · 165.8	B	116 x 192	2.4	B25675A4252J000	4
MKK400-D-28.1-04	28.1	40.6	–	–	3 · 186.3	B	125 x 192	2.8	B25675A4282J100	4
MKK400-D-30.0-04	30.0	43.3	–	–	3 · 198.9	B	116 x 224	2.8	B25675A4302J000	4
MKK400-D-33.0-04	33.0	47.6	–	–	3 · 218.8	B	125 x 207	3.0	B25675A4332J000	4
Rated voltage 415 V AC, 50/60 Hz, delta connection										
MKK415-D-5.0-04	5.0	7.0	6.0	8.3	3 · 30.8	A	75 x 164	0.9	B25675A4052J015	6
MKK415-D-6.3-04	6.3	8.8	7.6	10.6	3 · 38.8	A	75 x 164	0.9	B25675A4062J315	6
MKK415-D-7.5-04	7.5	10.4	9.0	12.5	3 · 46.2	A	75 x 200	1.1	B25675A4072J515	6
MKK415-D-8.3-04	8.3	11.5	10.0	13.9	3 · 51.1	A	75 x 200	1.1	B25675A4082J315	6
MKK415-D-10.4-04	10.4	14.5	12.5	17.4	3 · 64.1	A	75 x 200	1.1	B25675A4102J415	6
MKK415-D-12.5-04	12.5	17.4	15.0	20.9	3 · 77.0	A	85 x 200	1.3	B25675A4122J515	9
MKK415-D-15.0-04	15.0	20.9	18.0	25.0	3 · 92.4	A	85 x 200	1.3	B25675A4152J015	9
MKK415-D-16.7-04	16.7	23.2	20.0	27.8	3 · 102.9	B	100 x 207	1.9	B25675A4162J715	6
MKK415-D-20.0-04	20.0	27.8	24.0	33.4	3 · 123.2	B	100 x 207	1.9	B25675A4202J015	6
MKK415-D-25.0-04	25.0	34.8	30.0	41.7	3 · 154.0	B	116 x 192	2.4	B25675A4252J015	4
MKK415-D-28.1-04	28.1	39.1	–	–	3 · 173.1	B	116 x 207	2.6	B25675A4282J115	4
MKK415-D-30.0-04	30.0	41.7	–	–	3 · 184.8	B	116 x 207	2.6	B25675A4302J015	4
MKK415-D-33.0-04	33.0	45.9	–	–	3 · 203.3	B	116 x 224	2.8	B25675A4332J015	4

*Packing units for capacitors equal minimum order quantity.
Orders will be rounded up to packing unit or multiple thereof.

PhaseCap Energy PFC Capacitors

Gas or soft resin impregnated • Stacked winding • Wavy cut • Triple or dual safety system



Resin filled capacitors

Type	50 Hz		60 Hz		C _R μF	Terminal type	d x h mm	Weight kg	Ordering code	Packing unit*
	Output kvar	I _R A	Output kvar	I _R A						
Rated voltage 440 V AC, 50/60 Hz, delta connection										
MKK440-D-5.0-04	5.0	6.6	6.0	7.9	3 · 27.4	A	75 x 164	0.9	B25675A4052J040	6
MKK440-D-6.0-04	6.0	7.9	7.2	9.4	3 · 32.9	A	75 x 164	0.9	B25675A4062J040	6
MKK440-D-6.3-04	6.3	8.3	7.6	10.0	3 · 34.5	A	75 x 164	0.9	B25675A4062J340	6
MKK440-D-7.0-04	7.0	9.2	8.4	11.0	3 · 38.4	A	75 x 200	1.1	B25675A4072J040	6
MKK440-D-7.5-04	7.5	9.8	9.0	11.8	3 · 41.1	A	75 x 200	1.1	B25675A4072J540	6
MKK440-D-8.0-04	8.0	10.5	9.6	12.6	3 · 43.8	A	75 x 200	1.1	B25675A4082J040	6
MKK440-D-8.3-04	8.3	10.9	10.0	13.1	3 · 45.5	A	75 x 200	1.1	B25675A4082J340	6
MKK440-D-9.0-04	9.0	11.8	10.8	14.2	3 · 49.3	A	75 x 200	1.1	B25675A4092J040	6
MKK440-D-10.0-04	10.0	13.1	12.0	15.7	3 · 54.8	A	75 x 200	1.1	B25675A4102J040	6
MKK440-D-10.4-04	10.4	13.6	12.5	16.4	3 · 57.0	A	85 x 200	1.3	B25675A4102J440	9
MKK440-D-12.0-04	12.0	15.7	14.4	18.9	3 · 65.8	A	85 x 200	1.3	B25675A4122J040	9
MKK440-D-12.5-04	12.5	16.4	15.0	19.7	3 · 68.5	A	85 x 200	1.3	B25675A4122J540	9
MKK440-D-14.2-04	14.2	18.6	17.0	22.3	3 · 77.8	A	85 x 200	1.3	B25675A4142J240	9
MKK440-D-15.0-04	15.0	19.7	18.0	23.6	3 · 82.2	A	85 x 218	1.5	B25675A4152J040	4
MKK440-D-16.7-04	16.7	21.9	20.0	26.2	3 · 91.5	B	100 x 207	1.9	B25675A4162J740	6
MKK440-D-18.8-04	18.8	24.7	22.6	29.7	3 · 103.0	B	100 x 207	1.9	B25675A4182J840	6
MKK440-D-20.0-04	20.0	26.2	24.0	31.5	3 · 109.6	B	100 x 207	1.9	B25675A4202J040	6
MKK440-D-25.0-04	25.0	32.8	30.0	39.4	3 · 137.0	B	116 x 192	2.4	B25675A4252J040	4
MKK440-D-28.1-04	28.1	36.9	–	–	3 · 154.0	B	116 x 207	2.6	B25675A4282J140	4
MKK440-D-30.0-04	30.0	39.4	–	–	3 · 164.4	B	125 x 192	2.8	B25675A4302J040	4
MKK440-D-33.1-04	33.1	43.4	–	–	3 · 181.4	B	116 x 224	2.8	B25675A4332J140	4
Rated voltage 480 V AC, 50/60 Hz, delta connection										
MKK480-D-5.0-04	5.0	6.0	6.0	7.2	3 · 23.0	A	75 x 164	0.9	B25675A4052J080	6
MKK480-D-6.3-04	6.3	7.6	7.6	9.1	3 · 29.0	A	75 x 164	0.9	B25675A4062J380	6
MKK480-D-7.5-04	7.5	9.0	9.0	10.8	3 · 34.5	A	75 x 200	1.1	B25675A4072J580	6
MKK480-D-8.3-04	8.3	10.0	10.0	12.0	3 · 38.2	A	75 x 200	1.1	B25675A4082J380	6
MKK480-D-10.4-04	10.4	12.5	12.5	15.0	3 · 47.9	A	75 x 200	1.1	B25675A4102J480	6
MKK480-D-11.0-04	11.0	13.2	13.2	15.9	3 · 50.7	A	85 x 200	1.3	B25675A4112J080	9
MKK480-D-12.5-04	12.5	15.0	15.0	18.0	3 · 57.6	A	85 x 200	1.3	B25675A4122J580	9
MKK480-D-13.8-04	13.8	16.6	16.6	20.0	3 · 63.5	A	85 x 200	1.3	B25675A4132J880	9
MKK480-D-15.0-04	15.0	18.0	18.0	21.7	3 · 69.1	B	100 x 207	1.9	B25675A4152J080	6
MKK480-D-16.7-04	16.7	20.1	20.0	24.1	3 · 76.9	B	100 x 207	1.9	B25675A4162J780	6
MKK480-D-20.0-04	20.0	24.1	24.0	28.9	3 · 92.1	B	100 x 207	1.9	B25675A4202J080	6
MKK480-D-20.8-04	20.8	25.0	25.0	30.1	3 · 95.8	B	116 x 207	2.6	B25675A4202J880	4
MKK480-D-22.0-04	22.0	26.5	26.4	31.8	3 · 101.3	B	116 x 207	2.6	B25675A4222J080	4
MKK480-D-25.0-04	25.0	30.1	30.0	36.1	3 · 115.1	B	116 x 192	2.4	B25675A4252J080	4
MKK480-D-28.1-04	28.1	33.8	–	–	3 · 129.4	B	116 x 207	2.6	B25675A4282J180	4
MKK480-D-30.0-04	30.0	36.1	–	–	3 · 138.1	B	125 x 192	2.8	B25675A4302J080	4
MKK480-D-31.0-04	31.0	37.3	–	–	3 · 142.7	B	125 x 192	2.8	B25675A4312J080	4
MKK480-D-33.0-04	33.0	39.7	–	–	3 · 152.0	B	116 x 224	2.8	B25675A4332J080	4

*Packing units for capacitors equal minimum order quantity.
Orders will be rounded up to packing unit or multiple thereof.

PhaseCap Energy PFC Capacitors

Gas or soft resin impregnated • Stacked winding • Wavy cut • Triple or dual safety system



Resin filled capacitors										
Type	50 Hz		60 Hz		C _R μF	Terminal type	d x h mm	Weight kg	Ordering code	Packing unit*
	Output kvar	I _R A	Output kvar	I _R A						
Rated voltage 525 V AC, 50/60 Hz, delta connection										
MKK525-D-5.0-04	5.0	5.5	6.0	6.6	3 · 19.2	A	75 x 164	0.9	B25675A5052J025	6
MKK525-D-6.3-04	6.3	6.9	7.6	8.4	3 · 24.2	A	75 x 164	0.9	B25675A5062J325	6
MKK525-D-7.5-04	7.5	8.2	9.0	9.9	3 · 28.9	A	75 x 185	1.0	B25675A5072J525	6
MKK525-D-8.3-04	8.3	9.1	10.0	11.0	3 · 31.9	A	75 x 200	1.1	B25675A5082J325	6
MKK525-D-10.4-04	10.4	11.4	12.5	13.7	3 · 40.0	A	85 x 185	1.2	B25675A5102J425	9
MKK525-D-12.5-04	12.5	13.7	15.0	16.5	3 · 48.1	A	85 x 200	1.3	B25675A5122J525	9
MKK525-D-13.2-04	13.2	14.5	15.8	17.4	3 · 50.8	A	85 x 200	1.3	B25675A5132J225	9
MKK525-D-15.0-04	15.0	16.5	18.0	19.8	3 · 57.7	A	85 x 218	1.5	B25675A5152J025	4
MKK525-D-16.7-04	16.7	18.4	20.0	22.0	3 · 64.3	B	100 x 207	1.9	B25675A5162J725	6
MKK525-D-20.0-04	20.0	22.0	24.0	26.4	3 · 77.0	B	100 x 224	2.1	B25675A5202J025	4
MKK525-D-20.8-04	20.8	22.9	25.0	27.5	3 · 80.1	B	100 x 224	2.1	B25675A5202J825	4
MKK525-D-25.0-04	25.0	27.5	30.0	33.0	3 · 96.2	B	116 x 207	2.6	B25675A5252J025	4
MKK525-D-26.5-04	26.5	29.1	31.8	35.0	3 · 102.0	B	116 x 207	2.6	B25675A5262J525	4
MKK525-D-28.1-04	28.1	30.9	–	–	3 · 108.2	B	125 x 192	2.8	B25675A5282J125	4
MKK525-D-30.0-04	30.0	33.0	–	–	3 · 115.5	B	125 x 207	3.0	B25675A5302J025	4
MKK525-D-33.1-04	33.1	36.4	–	–	3 · 127.4	B	136 x 192	3.3	B25675A5332J125	4
Rated voltage 600 V AC, 50/60 Hz, delta connection										
MKK600-D-5.3-04	5.3	5.1	6.4	6.2	3 · 15.6	C	75 x 185	1.0	B25675A6052J300	6
MKK600-D-6.2-04	6.2	6.0	7.4	7.1	3 · 18.3	C	75 x 185	1.0	B25675A6062J200	6
MKK600-D-6.9-04	6.9	6.6	8.3	8.0	3 · 20.3	C	75 x 200	1.1	B25675A6062J900	6
MKK600-D-8.3-04	8.3	8.0	10.0	9.6	3 · 24.5	C	75 x 218	1.1	B25675A6082J300	9
MKK600-D-10.4-04	10.4	10.0	12.5	12.0	3 · 30.6	C	85 x 200	1.3	B25675A6102J400	9
MKK600-D-12.5-04	12.5	12.0	15.0	14.4	3 · 36.8	D	100 x 192	1.8	B25675A6122J500	6
MKK600-D-13.9-04	13.9	13.4	16.7	16.1	3 · 41.0	D	100 x 207	1.9	B25675A6132J900	6
MKK600-D-14.6-04	14.6	14.0	17.5	16.8	3 · 43.0	D	100 x 207	1.9	B25675A6142J600	6
MKK600-D-16.7-04	16.7	16.1	20.0	19.2	3 · 49.2	D	100 x 224	2.1	B25675A6162J700	4
MKK600-D-20.0-04	20.0	19.2	24.0	23.1	3 · 58.9	D	116 x 207	2.6	B25675A6202J000	4
MKK600-D-20.8-04	20.8	20.0	25.0	24.1	3 · 61.3	D	116 x 207	2.6	B25675A6202J800	4
MKK600-D-25.0-04	25.0	24.1	30.0	28.9	3 · 73.7	D	125 x 207	3.0	B25675A6252J000	4
MKK600-D-28.0-04	28.0	26.9	–	–	3 · 82.5	D	136 x 192	3.3	B25675A6282J000	4
MKK600-D-30.0-04	30.0	28.9	–	–	3 · 88.4	D	136 x 207	3.6	B25675A6302J000	4

*Packing units for capacitors equal minimum order quantity.
Orders will be rounded up to packing unit or multiple thereof.

PhaseCap Energy PFC Capacitors

Gas or soft resin impregnated • Stacked winding • Wavy cut • Triple or dual safety system



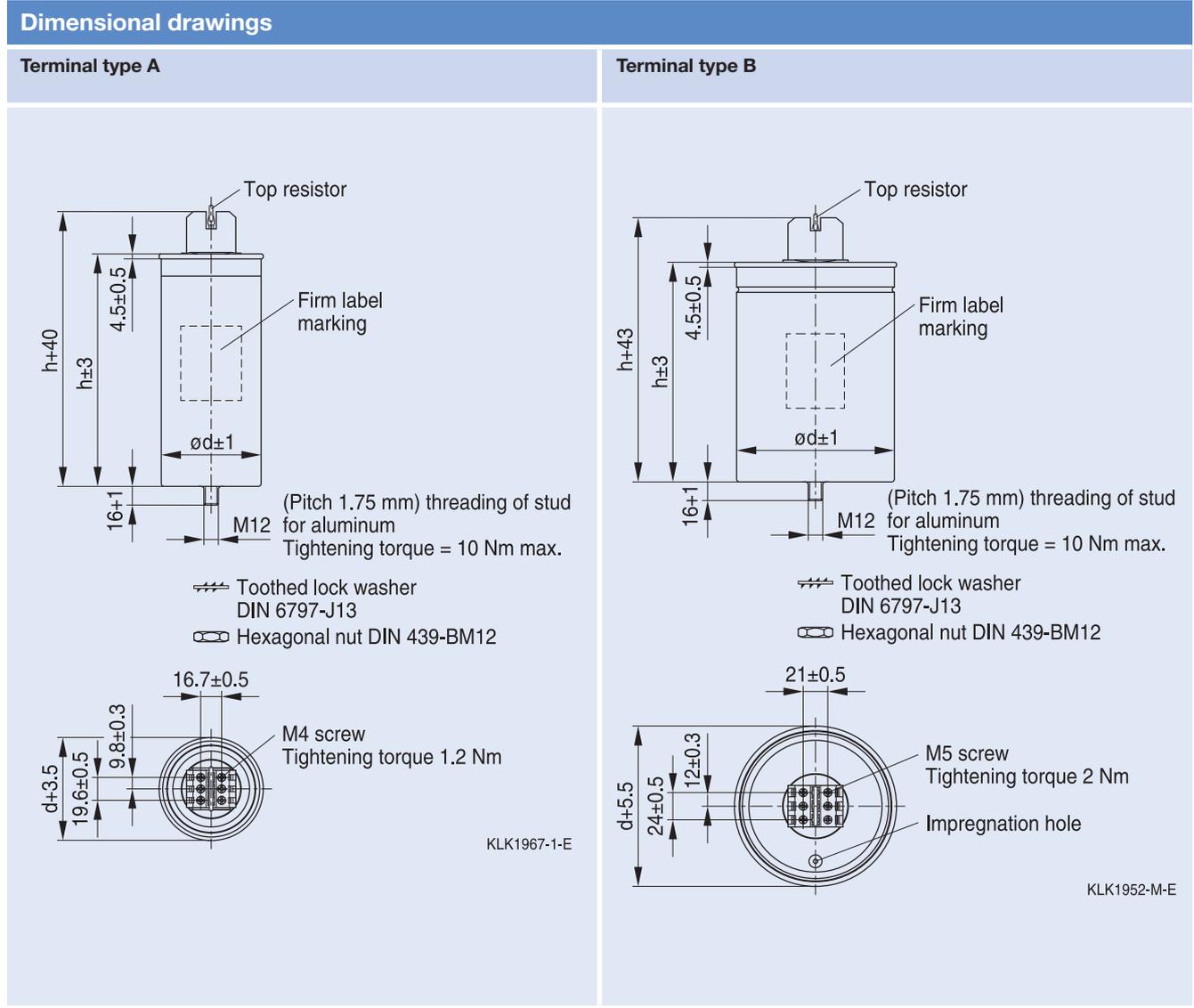
Resin filled capacitors

Type	50 Hz		60 Hz		C _R μF	Terminal type	d x h mm	Weight kg	Ordering code	Packing unit*
	Output kvar	I _R A	Output kvar	I _R A						
Rated voltage 690 V AC, 50/60 Hz, delta connection										
MKK690-D-5.3-04	5.3	4.4	6.4	5.4	3 · 11.8	C	75 x 185	1.0	B25675A6052J390	6
MKK690-D-6.2-04	6.2	5.2	7.4	6.2	3 · 13.8	C	75 x 200	1.1	B25675A6062J290	6
MKK690-D-6.9-04	6.9	5.8	8.3	6.9	3 · 15.4	C	75 x 200	1.1	B25675A6062J990	6
MKK690-D-8.3-04	8.3	6.9	10.0	8.4	3 · 18.5	C	75 x 200	1.1	B25675A6082J390	6
MKK690-D-10.4-04	10.4	8.7	12.5	10.5	3 · 23.2	C	75 x 200	1.1	B25675A6102J490	6
MKK690-D-12.5-04	12.5	10.5	15.0	12.6	3 · 27.9	C	85 x 200	1.3	B25675A6122J590	9
MKK690-D-13.9-04	13.9	11.6	16.7	14.0	3 · 31.0	C	85 x 200	1.3	B25675A6132J990	9
MKK690-D-14.6-04	14.6	12.2	17.5	14.6	3 · 32.5	D	100 x 207	1.9	B25675A6142J690	6
MKK690-D-16.7-04	16.7	14.0	20.0	16.7	3 · 37.2	D	100 x 192	1.8	B25675A6162J790	6
MKK690-D-20.0-04	20.0	16.7	24.0	20.1	3 · 44.6	D	100 x 207	1.9	B25675A6202J090	6
MKK690-D-20.8-04	20.8	17.4	25.0	20.9	3 · 46.3	D	100 x 224	2.1	B25675A6202J890	4
MKK690-D-25.0-04	25.0	20.9	30.0	25.1	3 · 55.7	D	116 x 192	2.4	B25675A6252J090	4
MKK690-D-28.0-04	28.0	23.4	–	–	3 · 62.4	D	116 x 207	2.6	B25675A6282J090	4
MKK690-D-30.0-04	30.0	25.1	–	–	3 · 66.8	D	125 x 192	2.8	B25675A6302J090	4

*Packing units for capacitors equal minimum order quantity.
Orders will be rounded up to packing unit or multiple thereof.

PhaseCap Energy PFC Capacitors

Gas or soft resin impregnated • Stacked winding • Wavy cut • Triple or dual safety system



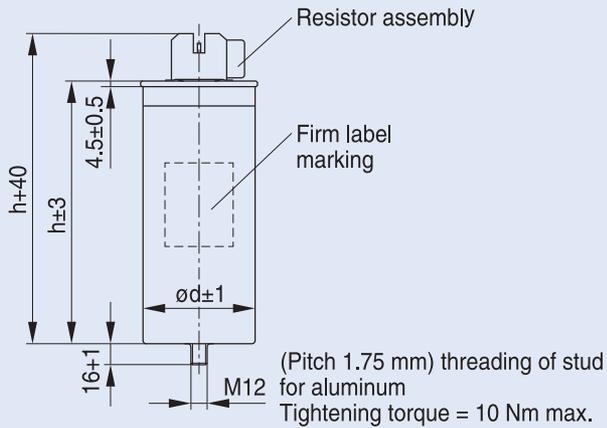
PhaseCap Energy PFC Capacitors

Gas or soft resin impregnated • Stacked winding • Wavy cut • Triple or dual safety system

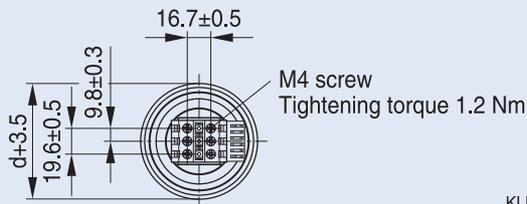


Dimensional drawings

Terminal type C

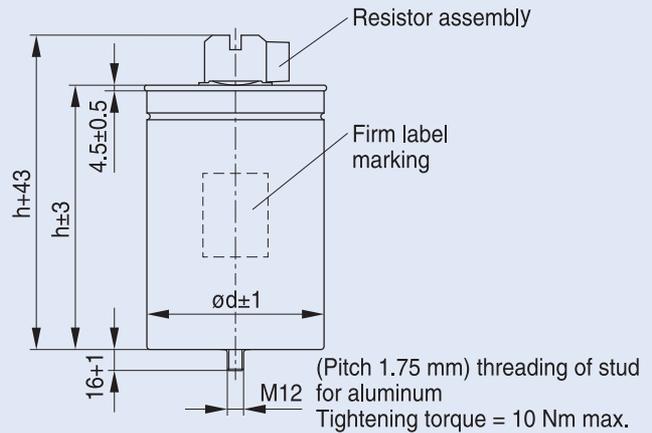


- Toothed lock washer
DIN 6797-J13
- Hexagonal nut DIN 439-BM12

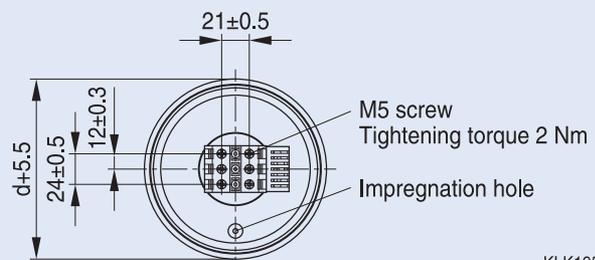


KLK1962-U-E

Terminal type D



- Toothed lock washer
DIN 6797-J13
- Hexagonal nut DIN 439-BM12



KLK1957-T-E

PhaseCap Premium PFC Capacitors

Gas-impregnated • Dry type • Concentric winding • Wavy cut • Triple safety system



General

PhaseCap capacitors in cylindrical aluminum cases have been designed for power factor correction in low-voltage applications.

Loads like motors and transformers consume active power as well as reactive power.

Generators, supply cables and other electrical distribution equipment, in turn, should be relieved of reactive power.

The MKK (metalized plastic compact) AC series is intended to increase packing density per bank and cut component costs.

Improved thermal response and simplified installation are advantages of the cylindrical aluminum case.



Applications

- Automatic PFC equipment, capacitor banks
- Individual fixed PFC (e.g. motors, transformers, lighting)
- Group fixed PFC
- Tuned and detuned capacitor banks
- Dynamic PFC

Features

- Compact design in cylindrical aluminum can with stud
- Concentric winding
- MKK-technology with wavy cut and heavy edge
- Voltage range 230 V ... 800 V
- Output range 5.0 kvar ... 33 kvar

Electrical

- Long life expectancy
- High pulse current withstand capability

Mechanical and maintenance

- Reduced mounting costs
- Maintenance-free
- Highest packing density thanks to compact dimensions

Safety

- Self-healing
- Overpressure disconnecter
- Shock hazard protected terminals
- Longterm approved
- cUL approval
- Ceramic discharge resistor pre-mounted

Environmental

- Dry design, inert gas
- No oil leakage

PhaseCap Premium PFC Capacitors

Gas-impregnated • Dry type • Concentric winding • Wavy cut • Triple safety system



Technical data and limit values

Standards IEC 60831-1+2, EN 60831-1+2, UL 810 5th edition

Overvoltage	V_{\max}	$V_R + 10\%$ (up to 8 h daily) / $V_R + 15\%$ (up to 30 min daily) / $V_R + 20\%$ (up to 5 min daily) / $V_R + 30\%$ (up to 1 min daily)
Overcurrent	I_{\max}	up to $1.6 \cdot I_R$ including combined effects of harmonics, overvoltages and capacitance tolerance
Inrush current	I_S	up to $300 \cdot I_R$
Losses: – Dielectric – Total*		< 0.2 W/kvar < 0.45 W/kvar
Rated frequency	f	50/60 Hz
Capacitance tolerance		–5% / +10%
Test voltage, terminal / terminal	V_{TT}	$2.15 \cdot V_{R1}$, AC, 2 s
Test voltage, terminal / case	V_{TC}	up to $V_R \leq 660$ V: 3000 V AC, 10 s; above $V_R = 660$ V: 6000 V AC, 10 s
Mean life expectancy	$t_{LD(C_0)}$	up to 180 000 h (temp. class –40/C); up to 130 000 h (temp. class –40/D)
Ambient temperature		–40/D; max. temp. +55 °C; max. mean 24 h = +45 °C; max. mean 1 year = +35 °C; lowest temperature = –40 °C
Cooling		natural or forced
Humidity	H_{rel}	max. 95%
Altitude		max. 4000 m above sea level
Mounting position		upright / horizontal
Mounting and grounding		threaded M12 stud on bottom of case
Safety		dry technology, overpressure disconnecter, self-healing, maximum allowed fault current 10 000 A in accordance with UL 810 standard
Discharge device		ceramic discharge resistor pre-mounted up to 660 V; external discharge module for > 660 V
Case		extruded aluminum can
Enclosure		IP20, indoor mounting (optionally with terminal cap for IP54)
Dielectric		polypropylene film
Impregnation		inert gas, Nitrogen (N_2)
Terminals		optimized capacitor safety terminal with electric shock protection (IP20), (VDE 0106 part 100), max. 25 mm ² cable cross-section, max. current 80 A
Certification		cUL file # E238746, GOST
Number of switching operations		max. 7500 switchings per year

* Without discharge resistor

PhaseCap Premium PFC Capacitors

Gas-impregnated • Dry type • Concentric winding • Wavy cut • Triple safety system



Three-phase capacitors									
Type	50 Hz		60 Hz		C _R μF	d x h mm	Weight kg	Ordering code	Packing unit*
	Output kvar	I _R A	Output kvar	I _R A					
Rated voltage 230 V AC, 50 / 60 Hz, delta connection									
MKK230-D-5.0-01	5.0	13	6.0	16	3 · 100	116 x 164	1.3	B25667C3297A375	6
MKK230-D-7.5-01	7.5	19	9.0	23	3 · 150	116 x 164	1.3	B25667C2457A375	6
MKK230-D-10.4-01	10.4	26	12.5	31	3 · 209	116 x 164	1.5	B25667C2627A375	6
MKK230-D-12.5-01 ³⁾	12.5	31	15.0	37	3 · 251	116 x 200	1.7	B25667C2757A375	4
Rated voltage 400 V AC, 50 / 60 Hz, delta connection									
MKK400-D-5.0-01	5.0	7	6.0	9	3 · 32	116 x 164	1.1	B25667C5966A375	6
MKK400-D-7.5-01	7.5	11	9.0	13	3 · 50	116 x 164	1.2	B25667C3147A375	6
MKK400-D-10.0-01	10.0	14	12.0	17	3 · 64	116 x 164	1.2	B25667C4197A375	6
MKK400-D-12.5-01	12.5	18	15.0	22	3 · 83	116 x 164	1.1	B25667C3247A375	6
MKK400-D-15.0-01	15.0	22	18.0	26	3 · 100	116 x 164	1.3	B25667C3297A375	6
MKK400-D-20.0-01	20.0	30	24.0	36	3 · 133	116 x 164	1.5	B25667C3397A375	6
MKK400-D-25.0-01	25.0	36	–	–	3 · 165	116 x 200	1.8	B25667C3497A375	4
Rated voltage 415 V AC, 50 / 60 Hz, delta connection									
MKK415-D-5.0-01	5.0	7	6.0	8	3 · 32	116 x 164	1.1	B25667C5966A375	6
MKK415-D-6.2-01	6.2	8	7.5	10	3 · 39	116 x 164	1.2	B25667C5127A375	6
MKK415-D-10.4-01	10.4	15	12.5	17	3 · 64	116 x 164	1.2	B25667C4197A375	6
MKK415-D-12.5-01	12.5	17	15.0	21	3 · 77	116 x 164	1.3	B25667C4237A375	6
MKK415-D-15.0-01	15.0	21	18.0	25	3 · 93	116 x 164	1.4	B25667C4287A375	6
MKK415-D-16.7-01	16.7	23	20.0	28	3 · 103	116 x 164	1.5	B25667C4307A375	6
MKK415-D-20.0-01	20.8	29	25.0 ²⁾	35 ²⁾	3 · 128	116 x 200	1.7	B25667C4387A375	4
MKK415-D-25.0-01	25.0	35	–	–	3 · 154	136 x 200	2.1	B25667C4467A375	4
Rated voltage 440 V AC, 50 / 60 Hz, delta connection									
MKK440-D-5.0-01	5.0	7	6.0	8	3 · 27	116 x 164	1.2	B25667C4826A375	6
MKK440-D-7.5-01	7.5	10	9.0	12	3 · 41	116 x 164	1.2	B25667C4127A375	6
MKK440-D-10.4-01	10.4	14	12.5	16	3 · 57	116 x 164	1.3	B25667C4177A375	6
MKK440-D-12.5-01	12.5	16	15.0	20	3 · 69	116 x 164	1.4	B25667C4207A375	6
MKK440-D-14.2-01	14.2	19	17.0	22	3 · 77	116 x 164	1.3	B25667C4237A375	6
MKK440-D-15.0-01	15.0	20	18.0	24	3 · 83	116 x 164	1.4	B25667C4247A375	6
MKK440-D-16.7-01	16.7	22	20.0	26	3 · 92	116 x 200	1.8	B25667C4277A375	4
MKK440-D-18.8-01	18.8	25	22.6	30	3 · 103	116 x 164	1.5	B25667C4307A375	6
MKK440-D-20.0-01	20.0	26	24.0	31	3 · 111	116 x 200	1.7	B25667C4337A375	4
MKK440-D-25.0-01	25.0	33	30.0	39	3 · 137	136 x 200	2.0	B25667C4417A375	4
MKK440-D-28.1-01 ³⁾	28.1	37	–	–	3 · 154	136 x 200	2.1	B25667C4467A375	4
MKK440-D-30.0-01 ³⁾	30.0 ¹⁾	39 ¹⁾	–	–	3 · 164	136 x 200	2.4	B25667C4497A375	4
MKK440-D-33.0-01 ³⁾	33.0 ¹⁾	43 ¹⁾	–	–	3 · 181	136 x 200	2.5	B25667C4547A375	4

Types for voltages 220 V, 240 V, 600 V, 660 V and other kvar-outputs are available upon request.

¹⁾ Temperature class deviation –40/C max. +50 °C

²⁾ Temperature class deviation –40/B max. +45 °C

³⁾ Discharge time ≤ 75 V in 90 s

* Packing units for capacitors equal minimum order quantity.
Orders will be rounded up to packing unit or multiple thereof.

PhaseCap Premium PFC Capacitors

Gas-impregnated • Dry type • Concentric winding • Wavy cut • Triple safety system



Three-phase capacitors

Type	50 Hz		60 Hz		C _R μF	d x h mm	Weight kg	Ordering code	Packing unit*
	Output kvar	I _R A	Output kvar	I _R A					
Rated voltage 480 V AC, 50/60 Hz, delta connection									
MKK480-D-6.25-01	6.25	8	7.5	9	3 · 29	116 x 164	1.2	B25667C4866A375	6
MKK480-D-8.3-01	8.3	10	10.0	12	3 · 39	116 x 164	1.2	B25667C5127A375	6
MKK480-D-10.4-01	10.4	12	12.5	14	3 · 48	116 x 164	1.3	B25667C5147A375	6
MKK480-D-12.5-01	12.5	15	15.0	18	3 · 58	116 x 164	1.5	B25667C5177A375	6
MKK480-D-15.0-01	15.0	18	18.0	22	3 · 69	116 x 164	1.4	B25667C4207A375	6
MKK480-D-16.7-01	16.7	20	20.0	24	3 · 77	116 x 200	1.8	B25667C5237A375	4
MKK480-D-20.0-01	20.0	24	24.0	29	3 · 92	116 x 200	1.8	B25667C4277A375	4
MKK480-D-25.0-01	25.0	30	30.0	36	3 · 115	136 x 200	2.2	B25667C4347A375	4
MKK480-D-30.0-01 ²⁾	30.0 ¹⁾	36 ¹⁾	–	–	3 · 138	136 x 200	2.4	B25667C4417A365	4
Rated voltage 525 V AC, 50/60 Hz, delta connection									
MKK525-D-8.3-01	8.3	9	10.0	11	3 · 32	116 x 164	1.1	B25667C5966A375	6
MKK525-D-10.0-01	10.0	11	12.0	13	3 · 39	116 x 164	1.2	B25667C5127A375	6
MKK525-D-12.5-01	12.5	14	15.0	17	3 · 48	116 x 164	1.3	B25667C5147A375	6
MKK525-D-15.0-01	15.0	17	18.0	20	3 · 58	116 x 164	1.5	B25667C5177A375	6
MKK525-D-16.7-01	16.7	18	20.0	21	3 · 64	116 x 164	1.6	B25667C5197A375	6
MKK525-D-20.0-01	20.0	22	24.0	26	3 · 77	116 x 200	1.8	B25667C5237A375	4
MKK525-D-25.0-01	25.0	28	30.0	33	3 · 96	136 x 200	2.3	B25667C5287A375	4
MKK525-D-30.0-01 ²⁾	30.0 ¹⁾	33 ¹⁾	–	–	3 · 115	136 x 200	2.4	B25667C5347A375	4
Rated voltage 570 V AC, 50/60 Hz, delta connection									
MKK570-D-27.5-01	27.5	27	33	32.4	3 · 90	136 x 200	2.5	B25667C5277A375	4
Rated voltage 690 V AC, 50/60 Hz, delta connection									
MKK690-D-5.0-01	5.0	4.2	6	5.0	3 · 11	116 x 164	1.3	B25667C6336A375	6
MKK690-D-10.0-01	10.0	8.4	12	10.1	3 · 23	116 x 164	1.4	B25667C6676A375	6
MKK690-D-12.5-01	12.5	10.5	15	12.6	3 · 28	116 x 164	1.5	B25667C6836A375	6
MKK690-D-15.0-01	15.0	12.6	18	15.1	3 · 34	116 x 164	1.5	B25667C6107A375	6
MKK690-D-20.8-01	20.8	17.5	25	21.0	3 · 47	136 x 200	2.0	B25667C6137A375	4
MKK690-D-25.0-01	25.0	21.0	30	25.1	3 · 56	136 x 200	2.2	B25667C6167A375	4
Rated voltage 765 V AC, 50/60 Hz, delta connection									
MKK765-D-30.0-01	30	23	36	28	3 · 55	136 x 200	2.4	B25667C7167A375	4
Rated voltage 800 V AC, 50/60 Hz, delta connection									
MKK800-D-5.0-01	5.0	3.6	6	4.3	3 · 8	116 x 164	1.2	B25667C7246A375	6
MKK800-D-7.5-01	7.5	5.4	9.0	6.5	3 · 12.4	121 x 164	1.2	B25667C7376A375	6
MKK800-D-10.0-01	10.0	7.2	12	8.7	3 · 17	116 x 164	1.3	B25667C7496A375	6
MKK800-D-12.5-01	12.5	9.0	15	11.0	3 · 21	116 x 164	1.4	B25667C7626A375	6
MKK800-D-15.0-01	15.0	11.0	18	13.0	3 · 25	116 x 164	1.5	B25667C7746A375	6
MKK800-D-20.0-01	20.0	14.5	24	17.3	3 · 33	136 x 200	2.0	B25667C7996A375	4
MKK800-D-25.0-01	25.0	18.0	30	22.0	3 · 41	136 x 200	2.3	B25667C7127A375	4
MKK800-D-28.0-01	28.0	20.0	33	24.0	3 · 46	136 x 200	2.4	B25667C7137A375	4

Types for voltages 220 V, 240 V, 600 V, 660 V and other kvar-outputs are available upon request.

¹⁾ Temperature class deviation –40/C max. +50 °C

²⁾ Temperature class deviation –40/B max. +45 °C

³⁾ Discharge time ≤ 75 V in 90 s

* Packing units for capacitors equal minimum order quantity.

Orders will be rounded up to packing unit or multiple thereof.

PhaseCap Premium PFC Capacitors

Gas-impregnated • Dry type • Concentric winding • Wavy cut • Triple safety system



Single-phase capacitors									
Type	50 Hz		60 Hz		C _R μF	d x h mm	Weight kg	Ordering code	Packing unit*
	Output kvar	I _R A	Output kvar	I _R A					
Rated voltage 230 V AC, 50 / 60 Hz									
MKK230-I-5.0-01	5.2	23	6.2	28	313	116 x 164	1.1	B25667C2317A175	6
MKK230-I-6.6-01	6.6	29	7.9	34	397	116 x 164	1.4	B25667C2397A175	6
MKK230-I-7.5-01	7.5	33	9.0	40	457	116 x 164	1.3	B25667C2457A175	6
MKK230-I-8.3-01	8.3	36	10.0	43	502	116 x 164	1.3	B25667C2507A175	6
MKK230-I-9.1-01 ¹⁾	9.1	38	–	–	548	116 x 164	1.4	B25667C2557A175	6
Rated voltage 400 V AC, 50 / 60 Hz									
MKK400-I-10.4-01	10.4	26	12.5	31	207	116 x 164	1.2	B25667C3207A175	6
MKK400-I-12.5-01	12.5	31	15.0	37	249	116 x 164	1.3	B25667C3247A175	6
Rated voltage 440 V AC, 50 / 60 Hz									
MKK440-I-6.9-01	6.9	16	8.3	19	116	116 x 164	1.3	B25667C5117A175	6
MKK440-I-8.3-01	8.3	19	10.0	23	144	116 x 164	1.5	B25667C5147A175	6
Rated voltage 525 V AC, 50 / 60 Hz									
MKK525-I-10.0-01	10.0	19	12.0	23	116	116 x 164	1.3	B25667C5117A175	6
MKK525-I-12.5-01	12.5	24	15.0	29	144	116 x 164	1.5	B25667C5147A175	6
MKK525-I-15.0-01 ¹⁾	15.0	29	18.0	35	173	116 x 200	1.7	B25667C5177A175	4
MKK525-I-18.6-01 ¹⁾	18.6	36	22.3	43	215	136 x 200	2.0	B25667C5217A175	4
Plastic protective case for capacitor²⁾									
Capacitor d x h mm	Protection class	Cable diameter outside mm	Dimensions				Ordering code		
			l ₁ mm	l ₂ mm	l ₃ mm	h mm			
116 x 164	IP54	9–13	134	110	177	243	B44066X9122		
116 x 200 / 136 x 200	IP54	10–18	154.5	130.5	186	280	B44066X9142		
Plastic protective terminal cover³⁾									
Capacitor d x h mm	For cable gland	Cable diameter outside mm	Dimensions		Ordering code				
			Ø d ₁ mm	Ø d ₂ mm					
116 x 164	PG 13.5	9–13	116	125	B44066K0135A000				
116 x 200	PG 16	10–14	116	125	B44066K0160A000				
136 x 200	PG 21	14–18	137	145	B44066K0210A000				

Types for voltages 220 V, 240 V, 600 V, 660 V and other kvar-outputs are available upon request.

¹⁾ Discharge time ≤ 75 V in 90 s

²⁾ Applicable up to 16 mm² cable cross section

³⁾ Note: The new terminal covers can be used for B25667B series; the formerly available terminal covers do not fit for the B25667C series

* Packing units for capacitors equal minimum order quantity. Orders will be rounded up to packing unit or multiple thereof.

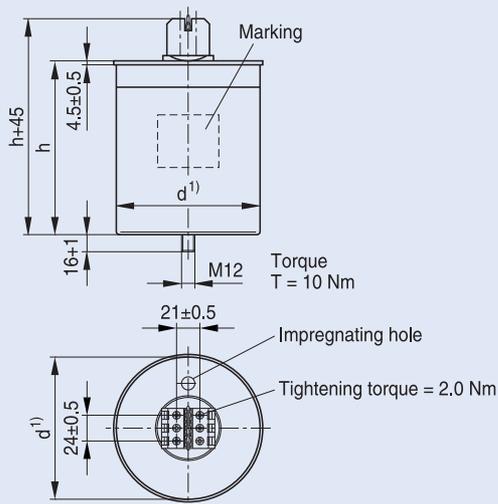
PhaseCap Premium PFC Capacitors

Gas-impregnated • Dry type • Concentric winding • Wavy cut • Triple safety system



Dimensional drawings

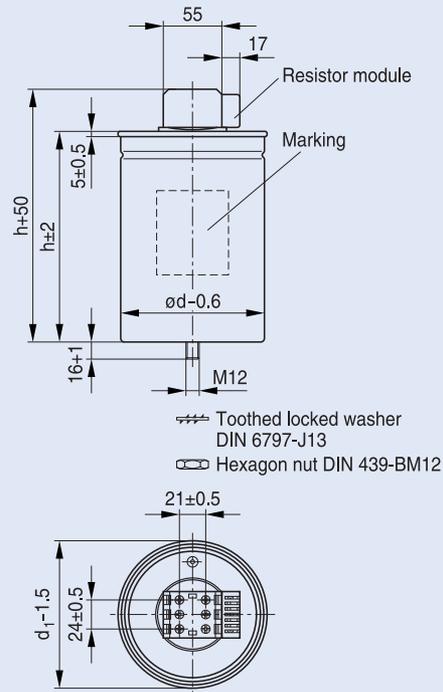
Capacitor up to 660 V AC



¹) Seaming adds 5.5 mm in diameter

KLK1841-1-E

Capacitor > 660 V AC



d₁: seaming adds 5.5 mm in diameter

KLK1863-W-E

Protective terminal cover IP54



Protective case for capacitor



Ceramic discharge resistors

Pre-mounted for series B25667, B25673 and B32344; available as spare parts upon request



PhaseCap Premium PFC Capacitors

Gas-impregnated • Dry type • Concentric winding • Wavy cut • Triple safety system



Dimensional drawings	
<p>Protective case for capacitor</p> <p>KLK1392-E</p>	<p>Mounting / Protective cover for terminal</p> <p>Toothed washer J 12.5 DIN 6797 </p> <p>Hex nut BM12 DIN 439</p> <p>or</p> <p>nut C61010-A415-C15 </p> <p>18 </p> <p>SW 17 KLK1394-V</p> <p>1) Perforation for second cable gland</p> <p>KLK1837-8-E</p>

PhaseCap Compact PFC Capacitors

Semi-dry biodegradable resin • Concentric winding • Wavy cut • Dual safety system



General

The PhaseCap Compact PFC capacitor is based on the EPCOS MKK technology known for many years from the successful Phase-Cap series with its unique concentric windings. Based on years of experience in PFC and millions of sold capacitors, EPCOS presents the next step in PFC capacitor evolution.

Using polypropylene as dielectric and semi-dry biodegradable resin as impregnation agent, the Phase-Cap Compact offers higher inrush current capability (up to $400 \cdot I_R$) and over current capability (up to $2.0 \cdot I_R$) even compared to

PhaseCap. With an output of up to 33 kvar at very small height it meets the dimensional requirements of panel builders. Its new enhanced terminals permit the connection of a broader variety of cables and cable sizes. Depending on the operating conditions PhaseCap Compact provides a life expectancy of up to 200 000 hours, more than any other capacitor in the EPCOS PFC capacitor portfolio.



Applications

- Automatic PFC equipment, capacitor banks
- Individual fixed PFC (e.g. motors, transformers, lighting)
- Group fixed PFC
- Tuned and detuned capacitor banks
- Dynamic PFC

Features

- Compact design in cylindrical aluminum can with stud
- Concentric winding (S-types with stacked winding)
- MKK-technology with wavy cut and heavy edge
- Voltage range: 230 ... 1000 V
- Output range: 5.0 ... 33.0 kvar

Electrical features

- Very high life expectancy
- High inrush current capability (up to $400 \cdot I_R$)
- High overcurrent capability (up to $2.0 \cdot I_R$)

Mechanical and maintenance

- Reduced mounting costs
- Maintenance-free
- Compact dimensions
- Mounting position upright/horizontal

Safety

- Self healing
- Overpressure disconnecter
- Shock hazard protected terminals
- Pre-mounted ceramic discharge resistor

PhaseCap Compact PFC Capacitors

Semi-dry biodegradable resin • Concentric winding • Wavy cut • Dual safety system



Technical data and limit values		
Standards IEC 60831-1+2, EN 60831-1+2, UL 810 5 th edition		
Overvoltage	V_{\max}	$V_R + 10\%$ (up to 8 h daily) / $V_R + 15\%$ (up to 30 min daily) / $V_R + 20\%$ (up to 5 min daily) / $V_R + 30\%$ (up to 1 min daily)
Overcurrent	I_{\max}	up to $1.6 \dots 2.0 \cdot I_R$ (including combined effects of harmonics, overvoltages and capacitance tolerance) depending on the individual type
Inrush current	I_S	up to $400 \cdot I_R$
Losses: – Dielectric – Total*		< 0.2 W/kvar < 0.45 W/kvar
Rated frequency	f	50/60 Hz
Capacitance tolerance		–5% / +10%
Test voltage, terminal / terminal	V_{TT}	$2.15 \cdot V_{R1}$, AC, 2 s
Test voltage, terminal / case	V_{TC}	up to $V_R \leq 660$ V: 3000 V AC, 10 s; above $V_R = 660$ V: 6000 V AC, 10 s
Mean life expectancy	$t_{LD(Co)}$	up to 200 000 h (temperature class –40/C) up to 150 000 h (temperature class –40/60)
Ambient temperature		Temperature class –40/60: Max. short time +60 °C, max. mean 24 h = +45 °C; max. mean 1 year = +35 °C; lowest temperature = –40 °C Temperature class –40/C: Max. short time +50 °C, max. mean 24 h = +40 °C; max. mean 1 year = +30 °C; lowest temperature = –40 °C
Cooling		natural or forced
Humidity	H_{rel}	max. 95%
Altitude		max. 4000 m above sea level
Mounting position		upright / horizontal
Mounting and grounding		threaded bolt M12
Safety		self-healing, overpressure disconnecter
Discharge device		ceramic discharge resistor pre-mounted up to 690 V; external discharge module for > 690 V; discharge time ≤ 75 V or less in 60 s; types marked with ¹⁾ ≤ 75 V or less in 90 s
Case		extruded aluminum can with stud
Enclosure		IP20, indoor mounting (optionally with terminal cap for IP54)
Dielectric		polypropylene film
Impregnation		semi-dry biodegradable resin
Terminals		optimized capacitor safety terminal with electric shock protection (IP20), (VDE 0106 part 100), for current and connection cable details and the terminal type – capacitor type association please refer to terminal drawings and capacitor type list
Certification		cUL file #E238746 / GOST
Number of switching operations		max. 10 000 switchings operations per year

* Without discharge resistor

PhaseCap Compact PFC Capacitors

Semi-dry biodegradable resin • Concentric winding • Wavy cut • Dual safety system



Three-phase capacitors

Type	50 Hz		60 Hz		C _R μF	Terminal type	d x h mm	Weight kg	Ordering code	Packing unit*
	Output kvar	I _R A	Output kvar	I _R A						
Rated voltage 230 V AC, 50/60 Hz, delta connection										
MKK230-D-5.0-02	5.0	13.0	6.0	15.0	3 · 100	A	85 x 200	1.2	B25673A2052A040	9
MKK230-D-7.5-02	7.5	19.0	9.0	23.0	3 · 150	B	100 x 200	1.7	B25673A2072A540	6
MKK230-D-10.0-02	10.0	25.0	12.0	30.0	3 · 201	B	116 x 200	2.2	B25673A2102A040	4
MKK230-D-12.5-02 ¹⁾	12.5	31.0	15.0	38.0	3 · 251	B	116 x 200	2.2	B25673A2122A540	4
Rated voltage 400 V AC, 50/60 Hz, delta connection										
MKK400-D-5.0-02	5.0	7.0	6.0	9.0	3 · 33	A	85 x 125	0.7	B25673A4052A000	9
MKK400-D-7.5-02	7.5	11.0	9.0	13.0	3 · 50	A	85 x 162	1.0	B25673A4072A500	9
MKK400-D-10.0-02	10.0	14.0	12.0	17.0	3 · 66	A	85 x 162	1.0	B25673A4102A000	9
MKK400-D-12.5-02	12.5	18.0	15.0	22.0	3 · 83	B	100 x 162	1.4	B25673A4122A500	6
MKK400-D-15.0-02	15.0	22.0	18.0	26.0	3 · 99	B	100 x 162	1.4	B25673A4152A000	6
MKK400-D-20.0-02	20.0	29.0	24.0	35.0	3 · 133	B	100 x 200	1.7	B25673A4201A000	6
MKK400-D-25.0-02	25.0	36.0	30.0	43.0	3 · 166	B	116 x 200	2.2	B25673A4252A000	4
Rated voltage 415 V AC, 50/60 Hz, delta connection										
MKK415-D-5.0-02	5.0	7.0	6.0	8.0	3 · 31	A	85 x 125	0.7	B25673A4052A010	9
MKK415-D-6.2-02	6.2	9.0	7.4	10.0	3 · 38	A	85 x 162	1.0	B25673A4062A010	9
MKK415-D-10.4-02	10.4	15.0	12.5	17.0	3 · 64	B	100 x 162	1.4	B25673A4102A010	6
MKK415-D-12.5-02	12.5	18.0	15.0	21.0	3 · 77	B	100 x 200	1.7	B25673A4122A510	6
MKK415-D-15.0-02	15.0	21.0	18.0	25.0	3 · 93	B	100 x 200	1.7	B25673A4152A010	6
MKK415-D-20.0-02	20.8	29.0	25.0	35.0	3 · 128	B	116 x 200	2.2	B25673A4202A810	4
MKK415-D-25.0-02	25.0	35.0	–	–	3 · 154	B	136 x 200	3.2	B25673A4282A140	2
MKK415-D-25.0-02A ²⁾	25.0	35.0	–	–	3 · 154	B	116 x 224	2.7	B25673S4282A140	1
Rated voltage 440 V AC, 50/60 Hz, delta connection										
MKK440-D-5.0-02	5.0	7.0	6.0	8.0	3 · 27	A	85 x 125	0.7	B25673A4052A040	9
MKK440-D-7.5-02	7.5	10.0	9.0	12.0	3 · 41	A	85 x 162	1.0	B25673A4072A540	9
MKK440-D-10.4-02	10.4	14.0	12.5	16.0	3 · 57	B	100 x 162	1.4	B25673A4102A040	6
MKK440-D-12.5-02	12.5	16.0	15.0	20.0	3 · 69	B	100 x 162	1.4	B25673A4122A540	6
MKK440-D-15.0-02	15.0	20.0	18.0	24.0	3 · 82	B	100 x 200	1.7	B25673A4152A040	6
MKK440-D-20.0-02	20.0	26.0	24.0	31.0	3 · 110	B	116 x 200	2.2	B25673A4202A040	4
MKK440-D-25.0-02	25.0	33.0	30.0	39.0	3 · 137	B	116 x 200	2.2	B25673A4252A040	4
MKK440-D-28.1-02 ¹⁾	28.1	37.0	–	–	3 · 154	B	136 x 200	3.2	B25673A4282A140	2
MKK440-D-28.1-02A ¹⁾²⁾	28.1	37.0	–	–	3 · 154	B	116 x 224	2.7	B25673S4282A140	1
MKK440-D-30.0-02 ¹⁾	30.0	39.0	–	–	3 · 164	B	136 x 200	3.2	B25673A4302A040	2
MKK440-D-30.0-02A ¹⁾²⁾	30.0	39.0	–	–	3 · 164	B	116 x 224	2.7	B25673S4302A040	1
MKK440-D-33.0-02 ¹⁾	33.0	43.0	–	–	3 · 181	B	136 x 200	3.2	B25673A4332A040	2
MKK440-D-33.0-02A ¹⁾²⁾	33.0	43.0	–	–	3 · 181	B	116 x 248	3.0	B25673S4332A040	1

* Packing units for capacitors equal minimum order quantity. Orders will be rounded up to packing unit or multiple thereof.

¹⁾ Discharge time ≤ 75 V in 90 s

²⁾ Stacked winding

PhaseCap Compact PFC Capacitors

Semi-dry biodegradable resin • Concentric winding • Wavy cut • Dual safety system



Three-phase capacitors										
Type	50 Hz		60 Hz		C _R μF	Terminal type	d x h mm	Weight kg	Ordering code	Packing unit*
	Output kvar	I _R A	Output kvar	I _R A						
Rated voltage 480 V AC, 50/60 Hz, delta connection										
MKK480-D-6.3-02	6.3	8.0	7.6	9.0	3 · 29	A	85 x 162	1.0	B25673A4062A380	9
MKK480-D-8.3-02	8.3	11.0	10.0	12.0	3 · 38	B	100 x 162	1.4	B25673A5102A020	6
MKK480-D-10.0-02	10.4	14.0	12.0	15.0	3 · 48	B	100 x 200	1.7	B25673A5122A520	6
MKK480-D-12.5-02	12.5	15.0	15.0	18.0	3 · 58	B	100 x 200	1.7	B25673A4122A580	6
MKK480-D-15.0-02	15.0	18.0	18.0	22.0	3 · 69	B	100 x 200	1.7	B25673A4152A080	6
MKK480-D-20.0-02	20.0	24.0	24.0	29.0	3 · 92	B	116 x 200	2.2	B25673A4202A080	4
MKK480-D-25.0-02	25.0	30.0	30.0	36.0	3 · 115	B	136 x 200	3.2	B25673A4252A080	2
MKK480-D-25.0-02A ²⁾	25.0	30.0	30.0	36.0	3 · 115	B	116 x 224	2.7	B25673S4252A080	1
MKK480-D-28.0-02 ¹⁾	28.0	34.0	–	–	3 · 129	B	136 x 200	3.2	B25673A4282A080	2
MKK480-D-28.0-02A ¹⁾²⁾	28.0	34.0	–	–	3 · 129	B	116 x 248	3.0	B25673S4282A080	1
MKK480-D-30.0-02 ¹⁾	30.0	36.0	–	–	3 · 138	B	136 x 200	3.2	B25673A4302A080	2
MKK480-D-30.0-02A ¹⁾²⁾	30.0	36.0	–	–	3 · 138	B	116 x 248	3.0	B25673S4302A080	1
MKK480-D-33.0-02	33.0	40.0	–	–	3 · 154	B	136 x 200	3.2	B25673A4332A080	2
Rated voltage 525 V AC, 50/60 Hz, delta connection										
MKK525-D-8.3-02	8.3	9.0	10.0	11.0	3 · 32	B	100 x 162	1.4	B25673A5082A320	6
MKK525-D-10.0-02	10.0	11.0	12.0	13.0	3 · 38	B	100 x 162	1.4	B25673A5102A020	6
MKK525-D-12.5-02	12.5	14.0	15.0	16.0	3 · 48	B	100 x 200	1.7	B25673A5122A520	6
MKK525-D-15.0-02	15.0	16.0	18.0	20.0	3 · 58	B	100 x 200	1.7	B25673A5152A020	6
MKK525-D-16.7-02	16.7	18.0	20.0	22.0	3 · 64	B	116 x 200	2.2	B25673A5162A720	4
MKK525-D-20.0-02	20.0	22.0	24.0	26.0	3 · 77	B	116 x 200	2.2	B25673A5202A020	4
MKK525-D-25.0-02 ¹⁾	25.0	28.0	30.0 ²⁾	–	3 · 96	B	136 x 200	3.2	B25673A5252A020	2
MKK525-D-25.0-02A ¹⁾²⁾	25.0	28.0	30.0	33.0	3 · 96	B	116 x 224	2.7	B25673S5252A020	1
MKK525-D-30.0-02 ¹⁾	30.0	33.0	–	–	3 · 115	B	136 x 200	3.2	B25673A5302A020	2
MKK525-D-30.0-02A ¹⁾²⁾	30.0	33.0	–	–	3 · 115	B	116 x 248	3.0	B25673S5302A020	1

* Packing units for capacitors equal minimum order quantity. Orders will be rounded up to packing unit or multiple thereof.

¹⁾ Discharge time ≤ 75 V in 90 s

²⁾ Stacked winding

³⁾ Temperature class deviation –40/B max. +45 °C

PhaseCap Compact PFC Capacitors

Semi-dry biodegradable resin • Concentric winding • Wavy cut • Dual safety system



Three-phase capacitors – New types

Type	50 Hz		60 Hz		C _R μF	Terminal type	d x h mm	Weight kg	Ordering code	Packing unit*
	Output kvar	I _R A	Output kvar	I _R A						
Rated voltage 690 V AC, 50/60 Hz, delta connection										
MKK690-D-5-02	5.0	4.2	6.0	5.0	3 · 11.2	C	116 x 164	2.1	B25673A6052A090	4
MKK690-D-7.5-02	7.5	6.3	9.0	7.5	3 · 16.7	C	116 x 164	2.1	B25673A6072A590	4
MKK690-D-10-02	10.0	8.4	12.0	10.1	3 · 22.5	C	116 x 164	2.1	B25673A6102A090	4
MKK690-D-12.5-02	12.5	10.5	15.0	12.6	3 · 27.9	C	116 x 164	2.1	B25673A6122A590	4
MKK690-D-15-02	15.0	12.6	18.0	15.1	3 · 33.5	C	116 x 164	2.2	B25673A6152A090	4
MKK690-D-20.8-02	20.8	17.4	25.0	20.9	3 · 46.5	C	136 x 200	3.2	B25673A6202A890	2
MKK690-D-25-02	25.0	20.9	30.0	25.1	3 · 55.7	C	136 x 200	3.2	B25673A6252A090	2

Rated voltage 800 V AC, 50/60 Hz, delta connection

MKK800-D-5-02	5.0	3.6	6.0	4.3	3 · 8.3	C	116 x 164	2.1	B25673A8052A000	4
MKK800-D-7.5-02	7.5	5.4	9.0	6.5	3 · 12.4	C	116 x 164	2.1	B25673A8072A500	4
MKK800-D-10-02	10.0	7.2	12.0	8.7	3 · 16.6	C	116 x 164	2.1	B25673A8102A000	4
MKK800-D-12.5-02	12.5	9.0	15.0	10.8	3 · 20.7	C	116 x 164	2.1	B25673A8122A500	4
MKK800-D-15-02	15.0	10.8	18.0	13.0	3 · 24.9	C	116 x 164	2.1	B25673A8152A000	4
MKK800-D-20-02	20.0	15.0	25.0	18.0	3 · 33.2	C	136 x 200	3.2	B25673A8202A000	2
MKK800-D-25-02	25.0	18.0	30.0	21.7	3 · 41.4	C	136 x 200	3.2	B25673A8252A000	2
MKK800-D-28-02	28.0	20.2	33.6	24.2	3 · 46.4	C	136 x 200	3.2	B25673A8282A000	2

Rated voltage 900 V AC, 50/60 Hz, delta connection

MKK900-D-10.4-02	10.4	6.7	12.5	8.0	3 · 13.6	C	116 x 164	2.0	B25673A9102A400	4
MKK900-D-12.5-02	12.5	8.0	15.0	9.6	3 · 16.4	C	116 x 164	2.0	B25673A9122A500	4
MKK900-D-15-02	15.0	9.6	18.0	11.5	3 · 19.7	C	116 x 200	2.4	B25673A9152A000	4
MKK900-D-20-02	20.0	12.8	24.0	15.4	3 · 26.2	C	136 x 200	3.1	B25673A9202A000	2
MKK900-D-25-02	25.0	16.0	30.0	19.4	3 · 32.7	C	136 x 200	3.1	B25673A9252A000	2

Rated voltage 1000 V AC, 50/60 Hz, delta connection

MKK1000-D-10.4-02	10.4	6.0	12.5	7.2	3 · 11.0	C	116 x 164	2.0	B25673A0102A400	4
MKK1000-D-12.5-02	12.5	7.2	15.0	8.7	3 · 13.3	C	116 x 164	2.0	B25673A0122A500	4
MKK1000-D-15-02	15.0	8.7	18.0	10.4	3 · 15.9	C	116 x 200	2.4	B25673A0152A000	4
MKK1000-D-20-02	20.0	11.6	24.0	13.9	3 · 21.2	C	136 x 200	3.1	B25673A0202A000	2
MKK1000-D-25-02	25.0	14.4	30.0	17.3	3 · 26.5	C	136 x 200	3.1	B25673A0252A000	2

Plastic protective terminal cover¹⁾

Capacitor d x h mm	For cable gland	Cable diameter outside mm	Dimensions		Ordering code
			Ø d ₁ mm	Ø d ₂ mm	
116 x 164	PG 13.5	9–13	116	125	B44066K0135A000
116 x 200	PG 16	10–14	116	125	B44066K0160A000
136 x 200	PG 21	14–18	137	145	B44066K0210A000

¹⁾ Note: The new terminal covers can be used for B25667B series;
the formerly available terminal covers do not fit for the B25667C series

PhaseCap Compact PFC Capacitors

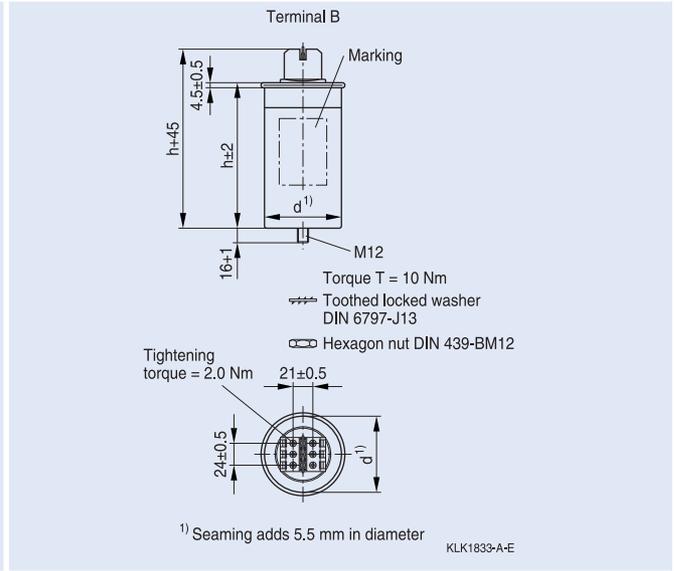
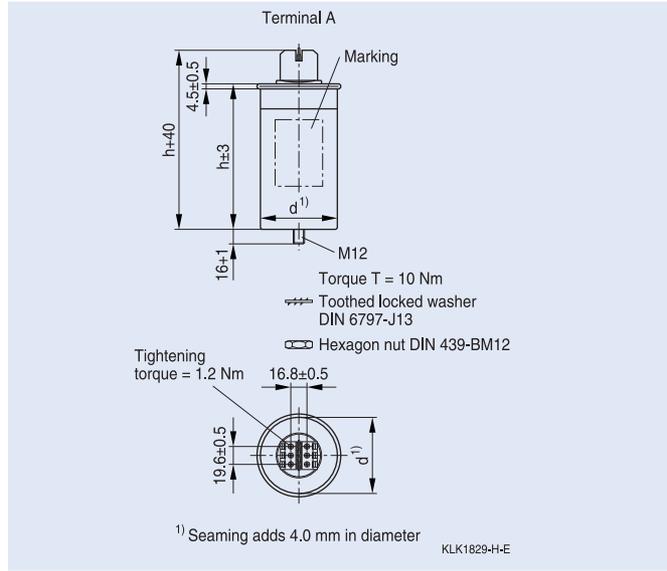
Semi-dry biodegradable resin • Concentric winding • Wavy cut • Dual safety system



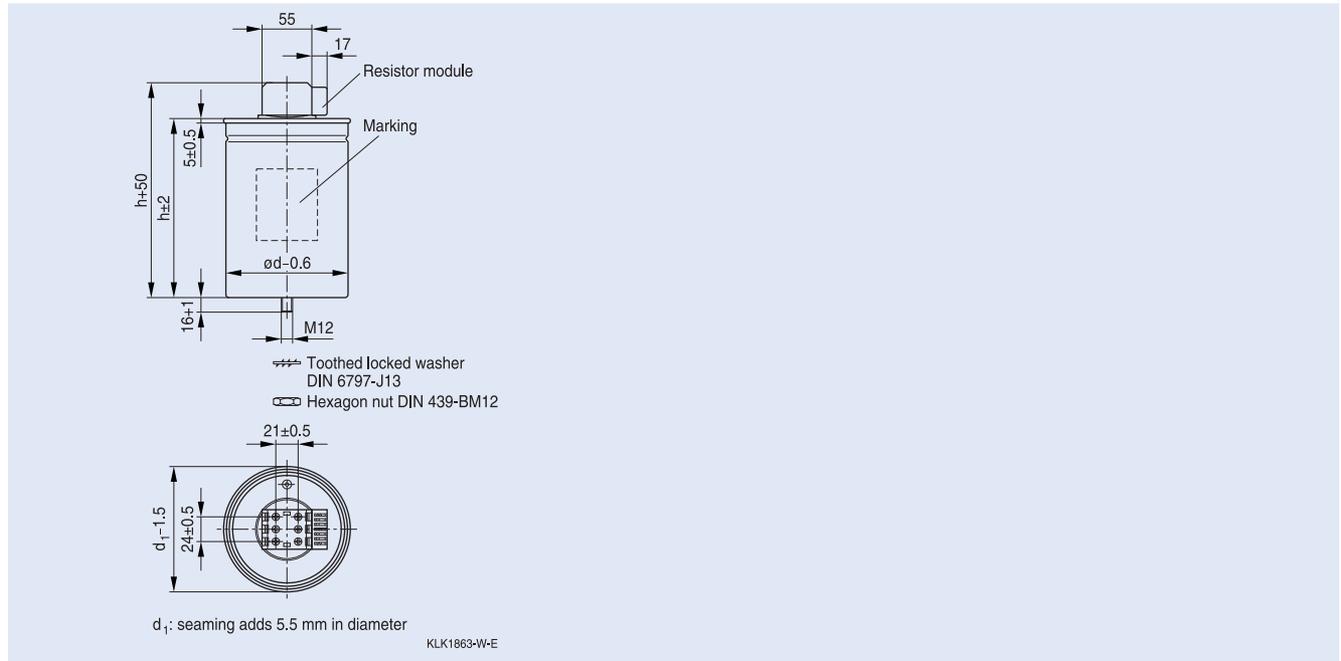
Dimensional drawings

Terminal type A, current up to 50 A
Terminal cross section 16 mm² (without cable end lug)

Terminal type B, current up to 80 A
Terminal cross section 25 mm² (without cable end lug)



Terminal type C, up to 80 A (discharge module)
Terminal cross section 25 mm² (without cable end lug)



PhaseCap HD PFC Capacitors

High density type • Up to 60 kvar • Gas-impregnated • Wavy cut • Triple safety system



General

The PhaseCap HD series is a follow-on development of the MKK AC series, covering the power range above 40 through 60 kvar with just one capacitor in a cylindrical aluminum case.

The PhaseCap HD is especially intended for industrial applications with demands for long life, constant capacitance and high inrush current withstand capability up to $300 \cdot I_R$.

Such applications require typical power steps of 25 or 50 kvar switched by a PFC controller via each capacitor contactor.

This MKK AC series was developed to increase packing density per bank and cut component costs.



Applications

- Automatic PFC equipment, capacitor banks
- Individual fixed PFC (e.g. motors, transformers, lighting)
- Group fixed PFC
- Tuned and detuned capacitor banks
- Dynamic PFC
- PFC systems with space constraints

Features

- Compact design in cylindrical aluminum can with stud
- Stacked winding
- MKK-technology with wavy cut and heavy edge
- Voltage range 400 V ... 525 V
- Output range 40 kvar (50 Hz) ... 60 kvar (60 Hz)

Electrical

- Low losses
- High pulse current withstand capability (up to $300 \cdot I_R$)

Mechanical and maintenance

- Reduced mounting costs
- Maintenance-free

Safety

- Self-healing
- Overpressure disconnecter
- Shock hazard protected terminals
- Long-term approved
- Pre-mounted discharge resistor module

Environmental

- Dry design, inert gas
- No oil leakage

PhaseCap HD PFC Capacitors

High density type • Up to 60 kvar • Gas-impregnated • Wavy cut • Triple safety system



Technical data and limit values		
Standards IEC 60831-1+2, EN 60831-1+2, UL 810 5 th edition		
Overvoltage	V_{max}	$V_R + 10\%$ (up to 8 h daily) / $V_R + 15\%$ (up to 30 min daily) / $V_R + 20\%$ (up to 5 min daily) / $V_R + 30\%$ (up to 1 min daily)
Overcurrent	I_{max}	up to $1.5 \cdot I_R$ including combined effects of harmonics, overvoltages and capacitance tolerance
Inrush current	I_S	up to $300 \cdot I_R$
Losses: – Dielectric – Total*		< 0.2 W/kvar < 0.45 W/kvar
Rated frequency	f	50/60 Hz
Capacitance tolerance		–5% / +10%
Test voltage, terminal / terminal	V_{TT}	$2.15 \cdot V_{R1}$, AC, 2 s
Test voltage, terminal / case	V_{TC}	up to $V_R \leq 660$ V: 3000 V AC, 10 s
Mean life expectancy	$t_{LD(Co)}$	up to 180 000 h (temperature class –40/C) up to 130 000 h (temperature class –40/D)
Ambient temperature		–40/D; max. temp. +55 °C; max. mean 24 h = +45 °C; max. mean 1 year = +35 °C; lowest temperature = –40 °C
Cooling		natural or forced
Humidity	H_{rel}	max. 95%
Altitude		max. 4000 m above sea level
Mounting position		upright
Mounting and grounding		threaded M12 stud on bottom of case
Safety		dry technology, overpressure disconnecter, self-healing, maximum allowed fault current 10 000 A in accordance with UL 810 standard
Discharge device		pre-mounted discharge module
Case		extruded aluminum can
Enclosure		IP20, indoor mounting
Dielectric		polypropylene film
Impregnation		inert gas, Nitrogen (N ₂)
Terminals		optimized capacitor safety terminal with electric shock protection (IP20), (VDE 0106 part 100), max. 35 mm ² cable cross section, max. current 130 A
Number of switching operations		max. 5000 switchings per year according to IEC 60831-1+2

* Without discharge resistor

PhaseCap HD PFC Capacitors

High density type • Up to 60 kvar • Gas-impregnated • Wavy cut • Triple safety system



Three-phase capacitors

Type	50 Hz		60 Hz		C _R μF	d x h mm	Weight kg	Ordering code	Packing unit ²⁾
	Output kvar	I _R A	Output kvar	I _R A					
Rated voltage 400 V AC, 50 / 60 Hz, delta connection									
MKK400-D-40.0-21	40.0	58	48.0	69	3 · 265	136 x 317	4.4	B25669A3796J375	2
MKK400-D-50.0-21	50.0	72	60.0 ¹⁾	87 ¹⁾	3 · 332	136 x 355	4.7	B25669A3996J375	2
(Suitable also for 415 V with 7.6% higher output)									
Rated voltage 440 V AC, 50 / 60 Hz, delta connection									
MKK440-D-40.0-21	40.0	52	48.0	63	3 · 219	136 x 317	4.4	B25669A4657J375	2
MKK440-D-50.0-21	50.0	66	60.0 ¹⁾	79 ¹⁾	3 · 274	136 x 355	4.7	B25669A4827J375	2
MKK440-D-56.0-21	56.0	74	–	–	3 · 307	136 x 355	4.7	B25669B4927J375	2
Rated voltage 525 V AC, 50 / 60 Hz, delta connection									
MKK525-D-40.0-21	40.0	44	48.0	53	3 · 154	136 x 355	4.7	B25669A5467J375	2

Customized products available upon request.

¹⁾ Temperature class deviation –40/B max. +45 °C

²⁾ Packing units for capacitors equal minimum order quantity. Orders will be rounded up to packing unit or multiple thereof.

Dimensional drawings

Capacitor	Mounting
	<p>Toothed washer J 12.5 DIN 6797</p> <p>Hex nut BM12 DIN 439</p> <p>or</p> <p>nut C61010-A415-C15</p>
	<p>Discharge resistor</p>

DeltaCap PFC Capacitors

LV-PFC in industrial applications • Stacked winding • Dual safety system



General

Based on the well-proven MKP technology with stacked windings, DeltaCap capacitors are especially developed for LV-PFC applications in industrial installations. The cost-effective design offers abroad output range from 0.5 to 33.0 kvar. The voltage range covers 230 to 525 V.



Applications

- Power Factor Correction
- Automatic capacitor banks
- Fixed PFC applications, e.g. motor compensation
- AC power electronics
- Tuned and detuned PFC systems

Features

- Compact design in cylindrical aluminum can with stud
- MKD technology with stacked windings
- Output range 0.5 ... 33 kvar
- Voltage range 230 ... 525 V

Safety

- Self-healing technology
- Overpressure disconnecter
- Isolated terminal (IP20) for B32301 and B32304 series

Electrical

- Up to 33 kvar per capacitor for three-phase applications
- Long life expectancy up to 150 000 hours (at temperature class –40/C)
- High inrush current withstand ability (up to $200 \cdot I_R$)

Mechanical and maintenance

- Reduced mounting costs, easy installation and connection
- Low weight and compact volume
- Maintenance-free

DeltaCap PFC Capacitors

LV-PFC in industrial applications • Stacked winding • Dual safety system



Technical data and limit values		
Standards IEC 60831-1+2, IS: 13340/41		
Overvoltage	V_{\max}	$V_R + 10\%$ (up to 8 h daily) / $V_R + 15\%$ (up to 30 min daily) / $V_R + 20\%$ (up to 5 min daily) / $V_R + 30\%$ (up to 1 min daily)
Overcurrent	I_{\max}	up to $1.3 \cdot I_R$ (up to $1.5 \cdot I_R$ including combined effects of harmonics, overvoltages and capacitance)
Inrush current	I_S	up to $200 \cdot I_R$
Losses: – Dielectric – Total*		< 0.2 W/kvar < 0.45 W/kvar
Rated frequency	f	50/60 Hz
Capacitance tolerance		–5% / +10%
Test voltage, terminal / terminal	V_{TT}	$2.15 \cdot V_R$, AC, 2 s
Test voltage, terminal / case	V_{TC}	3000 V AC, 10 s
Mean life expectancy	$t_{LD(C_0)}$	up to 150 000 h (temperature class –40/C) up to 115 000 h (temperature class –40/D)
Ambient temperature		–40/D; max. temp. +55 °C; max. mean 24 h = +45 °C; max. mean 1 year = +35 °C; lowest temperature = –40 °C –40/D; max. temp. +50 °C; max. mean 24 h = +40 °C; max. mean 1 year = +30 °C; lowest temperature = –40 °C
Cooling		natural or forced
Humidity	H_{rel}	max. 95%
Altitude		max. 4000 m above sea level
Mounting position		upright
Mounting and grounding		threaded M12 (10 Nm) for case size diameter ≥ 50 mm
Safety		self-healing technology, overpressure disconnecter, max. allowed fault current 10 000 A in accordance with UL 810 standard
Discharge resistor		discharge resistor included in the delivery for B32300*/B32303*, pre-mounted for B32301* and B32304*
Case		extruded aluminum can
Enclosure		IP00 for B32300 and B32303 IP20 for B32301 and B32304
Dielectric		polypropylene film
Impregnation		biodegradable soft resin, semi-dry
Terminals		screw terminal for B32304 series, max. 25 mm ² cable cross-section; fast-on terminals for B32300, B32301 and B32303 series
Number of switching operations		max. 5000 switchings per year according to IEC 60831-1+2

* Without discharge resistor

DeltaCap PFC Capacitors

LV-PFC in industrial applications • Stacked winding • Dual safety system



Three-phase capacitors									
Type	50 Hz		60 Hz		C _R μF	d x h mm	Weight kg	Ordering code	Packing unit**
	Output kvar	I _R A	Output kvar	I _R A					
Rated voltage 230 V AC, 50/60 Hz, delta connection									
MKD230-D-0.5	0.5	1.3	0.6	1.6	3 · 10	50 x 150	0.4	B32303A2002A530	50
MKD230-D-0.7	0.7	1.8	0.8	2.2	3 · 14	50 x 150	0.4	B32303A2002A730	50
MKD230-D-1.0	1.0	2.5	1.2	3.0	3 · 20	50 x 150	0.4	B32303A2012A030	50
MKD230-D-1.5	1.5	3.8	1.8	4.6	3 · 30	63.5 x 150	0.6	B32303A2012A530	12
MKD230-D-2.0	2.0	5.0	2.4	6.0	3 · 40	63.5 x 150	0.6	B32303A2022A030	12
MKD230-D-2.5	2.5	6.3	3.0	7.6	3 · 50	63.5 x 150	0.8	B32303A2022A530	12
MKD230-D-5.0	5.0	12.6	6.0	15.1	3 · 100	75 x 200	1.1	B32304A2052#030*	6
MKD230-D-7.5	7.5	18.8	9.0	22.6	3 · 151	75 x 275	1.4	B32304A2072#530*	6
MKD230-D-10.0	10.0	25.1	12.0	30.1	3 · 201	85 x 275	1.7	B32304A2102#030*	4
MKD230-D-12.5	12.5	31.4	15.0	37.7	3 · 251	85 x 350	2.2	B32304A2122#530*	4
MKD230-D-15.0	15.0	37.7	18.0	45.2	3 · 301	85 x 350	2.2	B32304A2152#030*	4
Rated voltage 400 V AC, 50/60 Hz, delta connection									
MKD400-D-1.0	1.0	1.4	1.2	1.7	3 · 6.6	50 x 150	0.4	B32303A4012A000	50
MKD400-D-1.5	1.5	2.2	1.8	2.6	3 · 10	50 x 150	0.4	B32303A4012A500	50
MKD400-D-2.0	2.0	2.9	2.4	3.5	3 · 13	50 x 150	0.4	B32303A4022A000	50
MKD400-D-2.5	2.5	3.6	3.0	4.3	3 · 17	50 x 150	0.4	B32303A4022A500	50
MKD400-D-5.0	5.0	7.2	6.0	8.6	3 · 33	63.5 x 150	0.6	B32303A4052A000	12
MKD400-D-6.3	6.3	9.1	7.6	10.9	3 · 42	75 x 163	0.8	B32304A4071#500*	6
MKD400-D-7.5	7.5	10.8	9.0	13.0	3 · 50	75 x 163	0.9	B32304A4072#500*	6
MKD400-D-8.3	8.3	12.0	10.0	14.4	3 · 55	75 x 200	1.1	B32304A4101#000*	6
MKD400-D-10.0	10.0	14.4	12.0	17.3	3 · 66	75 x 200	1.1	B32304A4102#000*	6
MKD400-D-12.5	12.5	18.0	15.0	21.6	3 · 83	75 x 275	1.4	B32304A4122#500*	6
MKD400-D-15.0	15.0	21.7	18.0	26.0	3 · 100	75 x 275	1.4	B32304A4152#000*	6
MKD400-D-16.7	16.7	24.1	20.0	28.9	3 · 111	85 x 275	1.8	B32304A4201#000*	4
MKD400-D-20.0	20.0	28.9	24.0	34.7	3 · 133	85 x 275	1.8	B32304A4202#000*	4
MKD400-D-25.0	25.0	36.1	30.0	43.3	3 · 166	85 x 350	2.2	B32304A4252#000*	4
MKD400-D-30.0	30.0	43.3	–	–	3 · 199	96 x 275	2.4	B32304A4302#000*	4
Rated voltage 415 V AC, 50/60 Hz, delta connection									
MKD415-D-1.0	1.0	1.4	1.2	1.7	3 · 6.2	50 x 150	0.4	B32303A4012A010	50
MKD415-D-1.5	1.5	2.1	1.8	2.5	3 · 9.2	50 x 150	0.4	B32303A4012A510	50
MKD415-D-2.0	2.0	2.8	2.4	3.4	3 · 12	50 x 150	0.4	B32303A4022A010	50
MKD415-D-2.5	2.5	3.5	3.0	4.2	3 · 15	63.5 x 150	0.6	B32303A4022A510	12
MKD415-D-5.0	5.0	7.0	6.0	8.4	3 · 31	63.5 x 150	0.8	B32303A4052A010	12
MKD415-D-6.3	6.3	8.8	7.6	10.6	3 · 39	75 x 200	1.0	B32304A4071#510*	6
MKD415-D-7.5	7.5	10.4	9.0	12.5	3 · 46	75 x 200	1.1	B32304A4072#510*	6
MKD415-D-10.0	10.0	13.9	12.0	16.7	3 · 62	75 x 275	1.4	B32304A4102#010*	6
MKD415-D-12.5	12.5	17.4	15.0	20.9	3 · 77	75 x 275	1.4	B32304A4122#510*	6
MKD415-D-15.0	15.0	20.9	18.0	25.1	3 · 93	85 x 275	1.7	B32304A4152#010*	4
MKD415-D-20.0	20.0	27.8	24.0	33.4	3 · 123	85 x 275	2.2	B32304A4202#010*	4
MKD415-D-20.8	20.8	28.9	25.0	34.7	3 · 128	85 x 350	2.4	B32304A4251#010*	4
MKD415-D-25.0	25.0	34.8	30.0	41.8	3 · 154	85 x 350	2.4	B32304A4252#010*	4
MKD415-D-30.0	30.0	41.7	36.0	50.0	3 · 185	96 x 350	2.7	B32304A4302#010*	4

* Available either as B32304A***A*** series (3-terminal design, integrated resistor) or B32304A***B*** series (6-terminal design, pluggable ceramic resistor). Please replace # with the right character before ordering.

** Packing units for capacitors equal minimum order quantity. Orders will be rounded up to packing unit or multiple thereof.

DeltaCap PFC Capacitors

LV-PFC in industrial applications • Stacked winding • Dual safety system



Three-phase capacitors

Type	50 Hz		60 Hz		C _R μF	d x h mm	Weight kg	Ordering code	Packing unit**
	Output kvar	I _R A	Output kvar	I _R A					
Rated voltage 440 V AC, 50/60 Hz, delta connection									
MKD440-D-0.9	0.9	1.2	1.1	1.4	3 · 5.2	50 x 127	0.4	B32303A4011A040	50
MKD440-D-1.0	1.0	1.3	1.2	1.6	3 · 5.5	50 x 127	0.4	B32303A4012A040	50
MKD440-D-1.2	1.2	1.6	1.4	1.9	3 · 6.6	50 x 127	0.4	B32303A4011A540	50
MKD440-D-1.5	1.5	2.0	1.8	2.4	3 · 8.8	50 x 127	0.4	B32303A4012A540	50
MKD440-D-2.0	2.0	2.6	2.4	3.1	3 · 11	50 x 150	0.5	B32303A4022A040	50
MKD440-D-2.1	2.1	2.8	2.5	3.4	3 · 12	50 x 150	0.5	B32303A4021A540	50
MKD440-D-2.5	2.5	3.3	3.0	4.0	3 · 14	63.5 x 150	0.7	B32303A4022A540	12
MKD440-D-4.2	4.2	5.5	5.0	6.6	3 · 23	63.5 x 150	0.7	B32303A4051A040	12
MKD440-D-5.0	5.0	6.6	6.0	7.9	3 · 27	63.5 x 150	0.8	B32303A4052A040	12
MKD440-D-6.3	6.3	8.3	7.6	10.0	3 · 35	75 x 163	0.8	B32304A4071#540*	6
MKD440-D-7.5	7.5	9.8	9.0	11.8	3 · 41	75 x 200	1.1	B32304A4072#540*	6
MKD440-D-8.3	8.3	10.9	10.0	13.1	3 · 46	75 x 200	1.1	B32304A4101#040*	6
MKD440-D-10.0	10.0	13.1	12.0	15.7	3 · 55	75 x 275	1.4	B32304A4102#040*	6
MKD440-D-10.4	10.4	13.6	12.5	16.3	3 · 57	75 x 275	1.4	B32304A4121#540*	6
MKD440-D-12.5	12.5	16.4	15.0	19.7	3 · 69	75 x 275	1.4	B32304A4151#040*	6
MKD440-D-15.0	15.0	19.7	18.0	23.6	3 · 82	85 x 275	1.7	B32304A4152#040*	4
MKD440-D-16.7	16.7	26.2	20.0	26.3	3 · 92	85 x 275	1.7	B32304A4201#040*	4
MKD440-D-20.0	20.0	27.3	24.0	31.5	3 · 110	85 x 350	2.2	B32304A4251#040*	4
MKD440-D-20.8	20.8	27.3	25.0	32.8	3 · 114	85 x 350	2.2	B32304A4251#040*	4
MKD440-D-25.0	25.0	32.8	30.0	39.4	3 · 137	85 x 350	2.2	B32304A4252#040*	4
MKD440-D-28.0	28.0	36.7	33.6	44.0	3 · 154	85 x 350	2.2	B32304A4282#040*	4
MKD440-D-30.0	30.0	39.0	–	–	3 · 164	85 x 350	2.7	B32304A4302#040*	4
MKD440-D-33.0	33.0	43.3	–	–	3 · 181	85 x 350	2.7	B32304A4332#040*	4
MKD440-D-33.8	33.8	44.4	–	–	3 · 185	85 x 350	2.7	B32304A4332#840*	4
Rated voltage 480 V AC, 50/60 Hz, delta connection									
MKD480-D-1.5	1.5	1.8	1.8	2.2	3 · 6.9	50 x 127	0.4	B32303A4012A580	50
MKD480-D-2.0	2.0	2.4	2.4	2.9	3 · 9.2	50 x 150	0.5	B32303A4022A080	50
MKD480-D-2.5	2.5	3.0	3.0	3.6	3 · 12	63.5 x 150	0.7	B32303A4022A580	12
MKD480-D-5.0	5.0	6.0	6.0	7.2	3 · 23	75 x 163	0.8	B32304A4052#080*	6
MKD480-D-6.3	6.3	7.6	7.6	9.1	3 · 29	75 x 163	0.8	B32304A4071#580*	6
MKD480-D-7.5	7.5	9.0	9.0	10.8	3 · 35	75 x 200	1.1	B32304A4072#580*	6
MKD480-D-8.3	8.3	10.0	10.0	12.0	3 · 38	75 x 200	1.1	B32304A4101#080*	6
MKD480-D-10.4	10.4	12.5	12.5	15.0	3 · 48	75 x 275	1.4	B32304A4121#580*	6
MKD480-D-12.5	12.5	15.0	15.0	18.0	3 · 58	75 x 275	1.4	B32304A4151#080*	6
MKD480-D-15.0	15.0	18.0	18.0	21.6	3 · 69	85 x 275	1.7	B32304A4152#080*	6
MKD480-D-16.7	16.7	20.1	20.0	24.1	3 · 77	85 x 275	1.8	B32304A4162#780*	6
MKD480-D-20.0	20.0	24.1	24.0	28.9	3 · 92	85 x 350	2.2	B32304A4201#080*	4
MKD480-D-20.8	20.8	25.0	25.0	30.0	3 · 96	85 x 350	2.2	B32304A4202#080*	4
MKD480-D-25.0	25.0	30.1	30.0	36.1	3 · 115	85 x 350	2.2	B32304A4252#080*	4
MKD480-D-30.0	30.0	36.0	36.0	43.0	3 · 138	96 x 350	2.7	B32304A4302#080*	4
MKD480-D-33.0	33	39.7	–	–	3 · 152	96 x 350	2.7	B32304A4332#080*	4

* Available either as B32304A****A*** series (3-terminal design, integrated resistor) or B32304A****B*** series (6-terminal design, pluggable ceramic resistor). Please replace # with the right character before ordering.

** Packing units for capacitors equal minimum order quantity. Orders will be rounded up to packing unit or multiple thereof.

DeltaCap PFC Capacitors

LV-PFC in industrial applications • Stacked winding • Dual safety system



Three-phase capacitors										
Type	50 Hz		60 Hz		C _R		d x h	Weight	Ordering code	Packing unit**
	Output kvar	I _R A	Output kvar	I _R A	μF	mm	kg			
Rated voltage 525 V AC, 50/60 Hz, delta connection										
MKD525-D-1.0	1.0	1.1	1.2	1.3	3 · 3.9	50 x 150	0.4	B32303A5012A020	50	
MKD525-D-1.5	1.5	1.6	1.8	1.9	3 · 5.8	50 x 150	0.4	B32303A5012A520	50	
MKD525-D-2.0	2.0	2.2	2.4	2.6	3 · 7.7	63.5 x 150	0.6	B32303A5022A020	12	
MKD525-D-2.5	2.5	2.7	3.0	3.2	3 · 9.6	63.5 x 150	0.6	B32303A5022A520	12	
MKD525-D-5.0	5.0	5.5	6.0	6.6	3 · 19	75 x 163	0.8	B32304A5061#020*	6	
MKD525-D-6.3	6.3	6.9	7.6	8.3	3 · 24	75 x 200	1.0	B32304A5071#520*	6	
MKD525-D-8.3	8.3	9.1	10.0	10.9	3 · 32	75 x 275	1.4	B32304A5101#020*	6	
MKD525-D-10.4	10.4	11.4	12.5	13.7	3 · 40	75 x 275	1.4	B32304A5121#520*	6	
MKD525-D-12.5	12.5	13.7	15.0	16.4	3 · 48	75 x 275	1.4	B32304A5151#020*	6	
MKD525-D-16.7	16.7	18.4	20.0	22.1	3 · 64	85 x 275	1.8	B32304A5201#020*	4	
MKD525-D-20.8	20.8	22.9	25.0	27.5	3 · 80	85 x 350	2.2	B32304A5202#020*	4	
MKD525-D-25.0	25.0	27.5	30.0	33.0	3 · 96	85 x 350	2.2	B32304A5252#020*	4	
MKD525-D-30.0	30.0	33.0	36.0	39.0	3 · 115	96 x 350	2.7	B32304A5302#020*	4	

* Available either as B32304A****A*** series (3-terminal design, integrated resistor) or B32304A****B*** series (6-terminal design, pluggable ceramic resistor). Please replace # with the right character before ordering.

** Packing units for capacitors equal minimum order quantity. Orders will be rounded up to packing unit or multiple thereof.

DeltaCap PFC Capacitors

LV-PFC in industrial applications • Stacked winding • Dual safety system



Single-phase capacitors

Type	50 Hz		60 Hz		C _R μF	d x h mm	Weight kg	Ordering code	Packing unit**
	Output kvar	I _R A	Output kvar	I _R A					
Rated voltage 230 V AC, 50/60 Hz, single phase									
MKD230-I-0.8	0.8	3.5	1.0	4.2	48	63.5 x 64.5	0.3	B32300A2002A830	12
MKD230-I-1.7	1.7	7.4	2.0	8.9	102	63.5 x 102	0.4	B32300A2012A730	12
MKD230-I-2.5	2.5	10.9	3.0	13.1	151	63.5 x 127	0.5	B32300A2022A530	12
Rated voltage 250 V AC, 50/60 Hz, single phase									
MKD250-I-0.8	0.8	3.2	1.0	3.8	41	50 x 77	0.2	B32300A2002A850	50
MKD250-I-1.7	1.7	6.8	2.0	8.2	87	63.5 x 92	0.4	B32300A2012A750	12
MKD250-I-2.0	2.0	7.8	2.4	9.4	100	63.5 x 92	0.4	B32300A2022A050	12
MKD250-I-2.5	2.5	10.0	3.0	12.0	127	63.5 x 102	0.5	B32300A2022A550	12
MKD250-I-5.0	5.0	20.0	6.0	24.0	255	75 x 166	0.7	B32301A2052#050*	6
MKD250-I-7.5	7.5	30.0	9.0	36.0	382	85 x 196	1.1	B32301A2072#550*	4
MKD250-I-10	10	40.0	12	48.0	510	85 x 216	1.2	B32301A2102#050*	4
Rated voltage 400 V AC, 50/60 Hz, single phase									
MKD400-I-0.8	0.8	2.0	1.0	2.4	16	50 x 64.5	0.2	B32300A4002A800	50
MKD400-I-1.7	1.7	4.3	2.0	5.2	34	63.5 x 62.5	0.3	B32300A4012A700	12
MKD400-I-2.5	2.5	6.3	3.0	7.6	50	63.5 x 77	0.3	B32300A4022A500	12
MKD400-I-3.3	3.3	8.3	4.0	10.0	66	63.5 x 102	0.4	B32300A4032A300	12
MKD400-I-4.2	4.2	10.5	5.0	12.6	84	63.5 x 102	0.4	B32300A4051A000	12
MKD400-I-5.0	5.0	12.5	6.0	15.0	100	63.5 x 127	0.5	B32300A4052A000	12
Rated voltage 415 V AC, 50/60 Hz, delta connection									
MKD415-I-0.8	0.8	1.9	1.0	2.3	15	50 x 64.5	0.2	B32300A4082A810	50
MKD415-I-1.7	1.7	4.0	2.0	4.8	31	63.5 x 64.5	0.3	B32300A4012A710	12
MKD415-I-2.5	2.5	6.0	3.0	7.2	46	63.5 x 102	0.4	B32300A4022A510	12
MKD415-I-3.3	3.3	8.0	4.0	9.6	61	63.5 x 102	0.4	B32300A4032A310	12
MKD415-I-5.0	5.0	12.0	6.0	14.4	92	63.5 x 127	0.6	B32300A4052A010	12
Rated voltage 440 V AC, 50/60 Hz, single phase									
MKD440-I-0.7	0.7	1.6	0.8	1.9	12	50 x 64.5	0.2	B32300A4001A840	50
MKD440-I-1.4	1.4	3.2	1.7	3.8	23	63.5 x 64.5	0.3	B32300A4011A740	12
MKD440-I-2.1	2.1	4.8	2.5	5.8	35	63.5 x 77	0.3	B32300A4021A540	12
MKD440-I-2.8	2.8	6.4	3.4	7.7	46	63.5 x 102	0.4	B32300A4031A340	12
MKD440-I-3.3	3.3	7.5	4.0	9.0	54	63.5 x 102	0.4	B32300A4032A340	12
MKD440-I-4.2	4.2	9.5	5.0	11.4	69	63.5 x 127	0.5	B32300A4051A040	12
MKD440-I-5.0	5.0	11.4	6.0	13.7	82	63.5 x 127	0.5	B32300A4052A040	12
Rated voltage 480 V AC, 50/60 Hz, single phase									
MKD480-I-0.7	0.7	1.5	0.8	1.8	10	50 x 64.5	0.2	B32300A4001A880	50
MKD480-I-1.4	1.4	2.9	1.7	3.5	19	63.5 x 64.5	0.3	B32300A4011A780	12
MKD480-I-2.1	2.1	4.4	2.5	5.3	29	63.5 x 77	0.3	B32300A4021A580	12
MKD480-I-2.8	2.8	5.8	3.4	7.0	39	63.5 x 102	0.4	B32300A4031A380	12
Rated voltage 525 V AC, 50/60 Hz, single phase									
MKD525-I-1.4	1.4	2.7	1.7	3.2	16	63.5 x 64.5	0.3	B32300A5011A720	12
MKD525-I-2.8	2.8	5.3	3.4	6.4	32	63.5 x 102	0.4	B32300A5031A320	12
MKD525-I-3.3	3.3	6.3	4.0	7.6	38	63.5 x 102	0.4	B32300A5032A320	12
MKD525-I-4.2	4.2	8.0	5.0	9.6	49	63.5 x 127	0.5	B32300A5051A020	12
MKD525-I-25.0	25.0	46.7	30.0	57.1	289	116 x 200	1.9	B32301A5252#025*	4

* Available either as B32301A****A*** series (2-terminal design, integrated resistor) or B32301A****B*** series (4-terminal design, pluggable ceramic resistor). Please replace # with the right character before ordering.

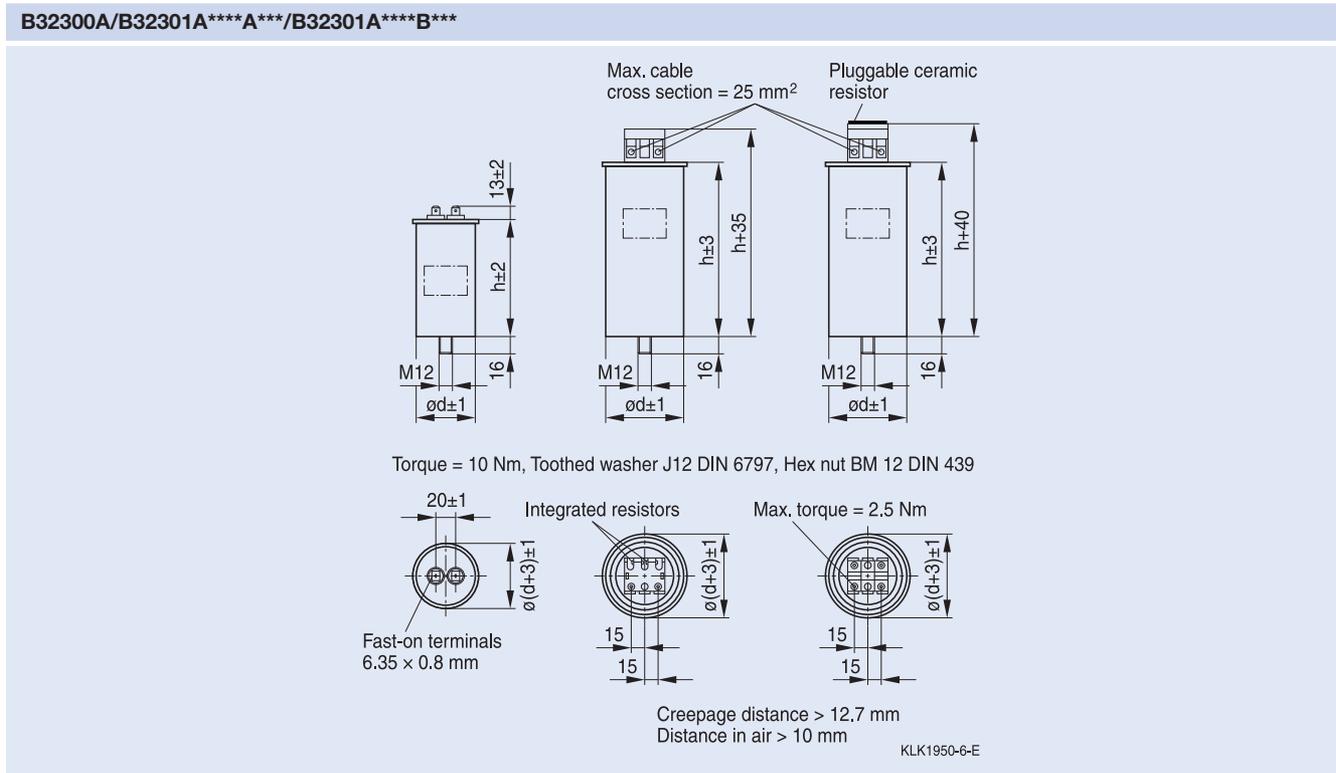
** Packing units for capacitors equal minimum order quantity. Orders will be rounded up to packing unit or multiple thereof.

DeltaCap PFC Capacitors

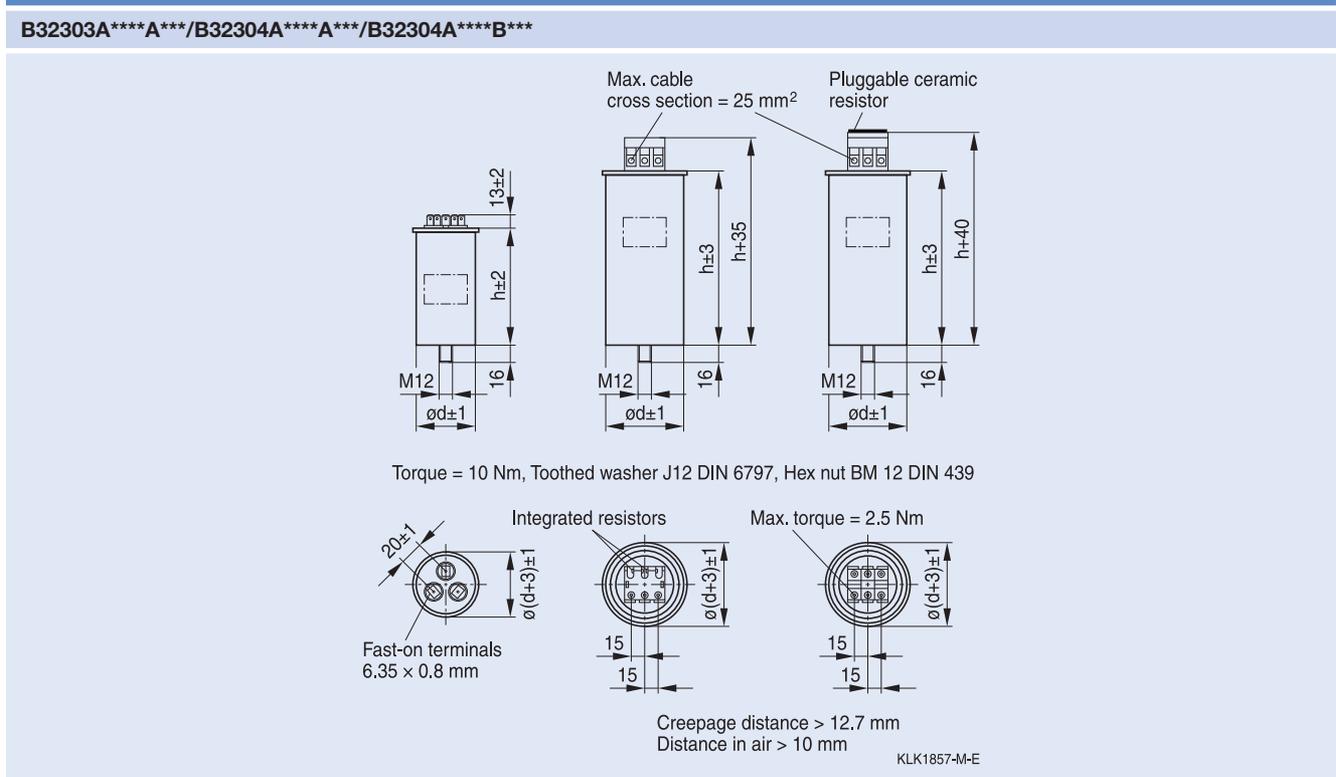
LV-PFC in industrial applications • Stacked winding • Dual safety system



Dimensional drawings: 1-phase capacitors



Dimensional drawings: 3-phase capacitors



PhiCap PFC Capacitors

Biodegradable soft resin impregnated • Stacked winding • Dual safety system



General

PhiCap capacitors are a tried and tested series of MKP (metalized polypropylene) capacitors from EPCOS which have been used for PFC applications for more than 15 years.

The power range varies from 0.5 to 30.0 kvar and 0.7 to 6.0 kvar per single capacitor can, depending on a three-phase or single-phase capacitor design.

The PhiCap capacitor is especially intended for power factor correction in industrial applications.

The capacitors are manufactured using metalized polypropylene film as the dielectric and housed in a cylindrical aluminum case.



Applications

- Power Factor Correction (PFC)
- Automatic capacitor banks
- Fixed PFC applications, e.g. motor compensation
- Detuned PFC systems
- Dynamic PFC systems

Features

- Compact design in cylindrical aluminum can with stud
- Stacked winding
- MKP technology
- Voltage range 230 ... 525 V
- Output range 0.5 ... 30 kvar

Electrical

- Up to 30 kvar per case for three-phase applications
- Up to 6 kvar per case for single-phase applications
- Long life expectancy of up to 135 000 hours
- High pulse current withstand capability (up to $200 \cdot I_R$)

Mechanical and maintenance

- Reduced mounting costs, easy installation and connection
- Low weight and compact volume
- Maintenance-free

Safety

- Self-healing
- Overpressure disconnecter
- Shock hazard protected optimized capacitor safety terminal for B32344 series

PhiCap PFC Capacitors

Biodegradable soft resin impregnated • Stacked winding • Dual safety system



Technical data and limit values		
Standards IEC 60831-1+2, IS: 13340/41, GOST		
Overvoltage	V_{\max}	$V_R + 10\%$ (up to 8 h daily) / $V_R + 15\%$ (up to 30 min daily) / $V_R + 20\%$ (up to 5 min daily) / $V_R + 30\%$ (up to 1 min daily)
Overcurrent	I_{\max}	up to $1.5 \cdot I_R$ including combined effects of harmonics, overvoltages and capacitance
Inrush current	I_S	up to $200 \cdot I_R$
Losses: – Dielectric – Total*		< 0.2 W/kvar < 0.45 W/kvar
Rated frequency	f	50/60 Hz
Capacitance tolerance		–5% / 10%
Test voltage, terminal / terminal	V_{TT}	$2.15 \cdot V_R$, AC, 2 s
Test voltage, terminal / case	V_{TC}	3000 V AC, 10 s
Mean life expectancy	$t_{LD(Co)}$	up to 135 000 h (temperature class –40/C) up to 100 000 h (temperature class –40/D)
Ambient temperature		–40/D; max. temp. +55 °C; max. mean 24 h = +45 °C; max. mean 1 year = +35 °C; lowest temperature = –40 °C
Cooling		natural or forced
Humidity	H_{rel}	max. 95%
Altitude		max. 4000 m above sea level
Mounting position		upright
Mounting and grounding		threaded M12 (10 Nm) for case size diam. > 53 mm M8 (4 Nm) for case size diam. ≤ 53 mm
Safety		self-healing technology, overpressure disconnecter, maximum allowed fault current 10 000 A in accordance with UL 810 standard
Discharge device		discharge resistor included; pre-mounted for B32344 series
Case		extruded aluminum can
Enclosure		IP00 for B32340/B32343, indoor mounting (IP54 for B32344 with plastic terminal cap; for other series please refer to page 35)
Dielectric		polypropylene film
Impregnation		biodegradable soft resin, semi-dry
Terminals		optimized capacitor safety terminals for B32344 series, max. current 50 A, max. 16 mm ² cable cross section, fast-on terminals for B32340 and B32343 series
Number of switching operations		max. 5000 switchings per year according to IEC 60831-1+2

* Without discharge resistor

PhiCap PFC Capacitors

Biodegradable soft resin impregnated • Stacked winding • Dual safety system



Three-phase capacitors

Type	50 Hz		60 Hz		C _R μF	d x h mm	Weight kg	Ordering code	Packing unit*
	Output kvar	I _R A	Output kvar	I _R A					
Rated voltage 230 V AC, 50/60 Hz, delta connection									
MKP230-D-0.5	0.5	1.3	0.6	1.6	3 · 10	53 x 114	0.3	B32343C2002A530	12
MKP230-D-0.7	0.7	1.9	0.9	2.3	3 · 15	53 x 114	0.3	B32343C2002A730	12
MKP230-D-1.0	1.0	2.5	1.2	3.0	3 · 20	63.5 x 129	0.3	B32343C2012A030	12
MKP230-D-1.5	1.5	3.8	1.8	4.6	3 · 30	63.5 x 129	0.4	B32343C2012A530	12
MKP230-D-2.0	2.0	5.0	2.4	6.0	3 · 42	75 x 138	0.4	B32344E2022A030	6
MKP230-D-2.5	2.5	6.3	3.0	7.5	3 · 50	75 x 138	0.4	B32344E2022A530	6
MKP230-D-5.0	5.0	12.6	6.0	15.1	3 · 100	75 x 198	0.6	B32344E2052A030	6
MKP230-D-7.5	7.5	18.8	9.0	22.6	3 · 150	85 x 198	0.8	B32344E2072A530	4
MKP230-D-10.0	10.0	25.1	12.0	30.2	3 · 200	85 x 273	1.2	B32344E2102A030	4
MKP230-D-12.5	12.5	31.4	15.0	37.7	3 · 250	85 x 348	1.5	B32344E2122A530	4
MKP230-D-15.0	15.0	37.7	-	-	3 · 300	85 x 348	1.5	B32344E2152A030	4
Rated voltage 400 V AC, 50/60 Hz, delta connection									
MKP400-D-1.0	1.0	1.4	1.2	1.7	3 · 7	53 x 114	0.3	B32343C4012A000	12
MKP400-D-1.5	1.5	2.2	1.8	2.6	3 · 10	53 x 114	0.3	B32343C4012A500	12
MKP400-D-2.0	2.0	2.9	2.4	3.5	3 · 13	63.5 x 129	0.4	B32343C4022A000	12
MKP400-D-2.5	2.5	3.6	3.0	4.3	3 · 17	63.5 x 129	0.4	B32343C4022A500	12
MKP400-D-5.0	5.0	7.2	6.0	8.6	3 · 33	63.5 x 129	0.4	B32343C4052A000	12
MKP400-D-6.3	6.3	9.1	7.5	11.0	3 · 42	75 x 160	0.5	B32344E4071A500	6
MKP400-D-7.5	7.5	10.8	9.0	13.0	3 · 50	75 x 160	0.5	B32344E4072A500	6
MKP400-D-8.3	8.3	12.0	10.0	14.5	3 · 55	75 x 160	0.5	B32344E4101A000	6
MKP400-D-10.0	10.0	14.5	12.0	17.3	3 · 67	75 x 198	0.6	B32344E4102A000	6
MKP400-D-12.5	12.5	18.1	15.0	21.7	3 · 83	85 x 198	0.8	B32344E4122A500	4
MKP400-D-15.0	15.0	21.7	18.0	26.0	3 · 100	85 x 198	0.8	B32344E4152A000	4
MKP400-D-16.7	16.7	24.1	20.0	28.9	3 · 111	85 x 198	0.8	B32344E4201A000	4
MKP400-D-20.0	20.0	28.9	24.0	34.7	3 · 133	85 x 273	1.1	B32344E4202A000	4
MKP400-D-25.0	25.0	36.1	-	-	3 · 166	85 x 273	1.5	B32344E4252A000	4
Rated voltage 415 V AC, 50/60 Hz, delta connection									
MKP415-D-1.0	1.0	1.4	1.2	1.6	3 · 6	53 x 114	0.3	B32343C4012A010	12
MKP415-D-1.5	1.5	2.1	1.8	2.4	3 · 9	53 x 114	0.3	B32343C4012A510	12
MKP415-D-2.0	2.0	2.8	2.4	3.4	3 · 12	53 x 114	0.4	B32343C4022A010	12
MKP415-D-2.5	2.5	3.5	3.0	4.2	3 · 15	63.5 x 129	0.4	B32343C4022A510	12
MKP415-D-5.0	5.0	7.0	6.0	8.4	3 · 31	63.5 x 154	0.4	B32343C4052A010	12
MKP415-D-6.3	6.3	8.8	7.5	10.6	3 · 39	75 x 160	0.5	B32344E4071A510	6
MKP415-D-7.5	7.5	10.4	9.0	12.5	3 · 46	75 x 198	0.6	B32344E4072A510	6
MKP415-D-10.0	10.0	13.9	12.0	16.7	3 · 62	75 x 198	0.6	B32344E4102A010	6
MKP415-D-12.5	12.5	17.4	15.0	20.9	3 · 77	85 x 198	0.8	B32344E4122A510	4
MKP415-D-15.0	15.0	20.9	18.0	25.1	3 · 92	85 x 273	1.2	B32344E4152A010	4
MKP415-D-20.0	20.0	27.9	24.0	33.4	3 · 123	85 x 273	1.2	B32344E4202A010	4
MKP415-D-25.0	25.0	34.8	-	-	3 · 154	85 x 348	1.5	B32344E4252A010	4
Rated voltage 440 V AC, 50/60 Hz, delta connection									
MKP440-D-0.9	0.9	1.2	1.0	1.3	3 · 5	53 x 114	0.3	B32343C4011A040	12
MKP440-D-1.0	1.0	1.3	1.2	1.6	3 · 6	53 x 114	0.3	B32343C4012A040	12
MKP440-D-1.2	1.2	1.6	1.5	2.0	3 · 7	53 x 114	0.3	B32343C4011A540	12

Types for voltages 220, 240, 480, 600, 660 V and other kvar-values available upon request.

* Packing units for capacitors equal minimum order quantity. Orders will be rounded up to packing unit or multiple thereof.

PhiCap PFC Capacitors

Biodegradable soft resin impregnated • Stacked winding • Dual safety system



Three-phase capacitors									
Type	50 Hz		60 Hz		C _R μF	d x h mm	Weight kg	Ordering code	Packing unit*
	Output kvar	I _R A	Output kvar	I _R A					
Rated voltage 440 V AC, 50 / 60 Hz, delta connection									
MKP440-D-1.5	1.5	2.0	1.8	2.3	3 · 8	53 x 114	0.3	B32343C4012A540	12
MKP440-D-2.1	2.1	2.7	2.5	3.3	3 · 11	53 x 114	0.4	B32343C4021A540	12
MKP440-D-2.5	2.5	3.3	3.0	3.9	3 · 14	63.5 x 129	0.3	B32343C4022A540	12
MKP440-D-4.2	4.2	5.5	5.0	6.6	3 · 23	63.5 x 129	0.4	B32343C4051A040	12
MKP440-D-5.0	5.0	6.5	6.0	7.8	3 · 27	63.5 x 154	0.5	B32343C4052A040	12
MKP440-D-6.3	6.3	8.3	7.5	9.9	3 · 34	75 x 160	0.5	B32344E4071A540	6
MKP440-D-7.5	7.5	9.9	9.0	11.8	3 · 41	75 x 160	0.5	B32344E4072A540	6
MKP440-D-8.3	8.3	10.9	10.0	13.1	3 · 46	75 x 198	0.6	B32344E4101A040	6
MKP440-D-10.0	10.0	13.1	12.0	15.8	3 · 55	75 x 198	0.6	B32344E4102A040	6
MKP440-D-10.4	10.4	13.7	12.5	16.4	3 · 57	75 x 198	0.6	B32344E4121A540	6
MKP440-D-12.5	12.5	16.4	15.0	19.7	3 · 69	85 x 198	0.8	B32344E4151A040	4
MKP440-D-15.0	15.0	19.7	18.0	23.6	3 · 82	85 x 273	1.2	B32344E4152A040	4
MKP440-D-16.7	16.7	21.9	20.0	26.3	3 · 92	85 x 273	1.2	B32344E4201A040	4
MKP440-D-20.8	20.8	27.3	25.0	32.8	3 · 114	85 x 273	1.2	B32344E4251A040	4
MKP440-D-25.0	25.0	32.8	30.0	40.0	3 · 138	85 x 348	1.5	B32344E4252A040	4
MKP440-D-28.0	28.0	36.8	–	–	3 · 154	85 x 348	1.5	B32344E4282A040	4
MKP440-D-30.0	30.0	39.0	–	–	3 · 165	85 x 348	1.6	B32344E4302A040	4
Rated voltage 480 V AC, 50 / 60 Hz, delta connection									
MKP480-D-1.5	1.5	1.8	1.8	2.2	3 · 7	63.5 x 129	0.4	B32343C4012A580	12
MKP480-D-2.0	2.0	2.4	2.4	2.9	3 · 9	63.5 x 129	0.4	B32343C4022A080	12
MKP480-D-2.5	2.5	3.0	3.0	3.6	3 · 11	63.5 x 129	0.4	B32343C4022A580	12
MKP480-D-4.2	4.2	5.1	5.0	6.1	3 · 19	63.5 x 154	0.5	B32343C4051A080	12
MKP480-D-5.0	5.0	6.0	6.0	7.2	3 · 23	75 x 160	0.5	B32344E4052A080	6
MKP480-D-6.3	6.3	7.6	7.6	9.1	3 · 29	75 x 160	0.5	B32344E4071A580	6
MKP480-D-7.5	7.5	9.0	9.0	10.8	3 · 35	75 x 198	0.6	B32344E4072A580	6
MKP480-D-8.3	8.3	10.0	10.0	12.0	3 · 38	75 x 198	0.6	B32344E4101A080	6
MKP480-D-10.4	10.4	12.5	12.5	15.0	3 · 48	85 x 198	0.8	B32344E4121A580	4
MKP480-D-12.5	12.5	15.1	15.0	18.1	3 · 58	85 x 198	0.8	B32344E4151A080	4
MKP480-D-15.0	15.0	18.1	18.0	21.7	3 · 69	85 x 273	1.2	B32344E4152A080	4
MKP480-D-16.7	16.7	20.1	20.0	24.1	3 · 77	85 x 273	1.2	B32344E4162A780	4
MKP480-D-20.8	20.8	25.0	25.0	30.1	3 · 96	85 x 273	1.2	B32344E4202A080	4
MKP480-D-25.0	25.0	30.1	30.0	36.1	3 · 115	85 x 348	1.5	B32344E4252A080	4
MKP480-D-30.0	30.0	36.1	–	–	3 · 138	90 x 348	1.5	B32344E4302A080	4
Rated voltage 525 V AC, 50 / 60 Hz, delta connection									
MKP525-D-1.0	1.0	1.1	1.2	1.3	3 · 4	53 x 114	0.3	B32343C5012A020	12
MKP525-D-1.5	1.5	1.6	1.8	2.0	3 · 6	53 x 114	0.3	B32343C5012A520	12
MKP525-D-2.0	2.0	2.2	2.4	2.6	3 · 8	63.5 x 129	0.4	B32343C5022A020	12
MKP525-D-2.5	2.5	2.7	2.7	3.0	3 · 9	63.5 x 129	0.4	B32343C5022A520	12
MKP525-D-5.0	5.0	5.5	6.0	6.6	3 · 19	75 x 160	0.3	B32344E5061A020	6
MKP525-D-6.3	6.3	6.9	7.6	8.3	3 · 24	75 x 160	0.5	B32344E5071A520	6
MKP525-D-8.3	8.3	9.1	10.0	11.0	3 · 32	75 x 198	0.6	B32344E5101A020	6
MKP525-D-10.4	10.4	11.5	12.5	13.7	3 · 40	85 x 198	0.8	B32344E5121A520	4
MKP525-D-12.5	12.5	13.8	15.0	16.5	3 · 48	85 x 273	1.2	B32344E5151A020	4
MKP525-D-16.7	16.7	18.3	20.0	21.9	3 · 64	85 x 273	1.2	B32344E5201A020	4
MKP525-D-20.8	20.8	22.9	25.0	27.5	3 · 80	85 x 348	1.5	B32344E5202A020	4
MKP525-D-25.0	25.0	27.5	30.0	33.0	3 · 96	85 x 348	1.5	B32344E5252A020	4

Types for voltages 220, 240, 480, 600, 660 V and other kvar-values available upon request.

* Packing units for capacitors equal minimum order quantity. Orders will be rounded up to packing unit or multiple thereof.

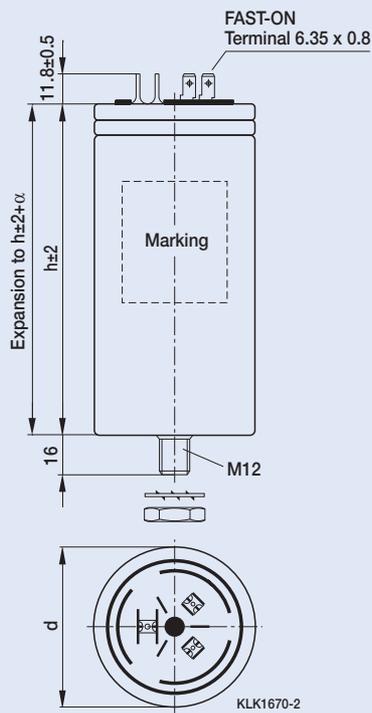
PhiCap PFC Capacitors

Biodegradable soft resin impregnated • Stacked winding • Dual safety system



Dimensional drawings: three-phase capacitors

Capacitor B32343 series

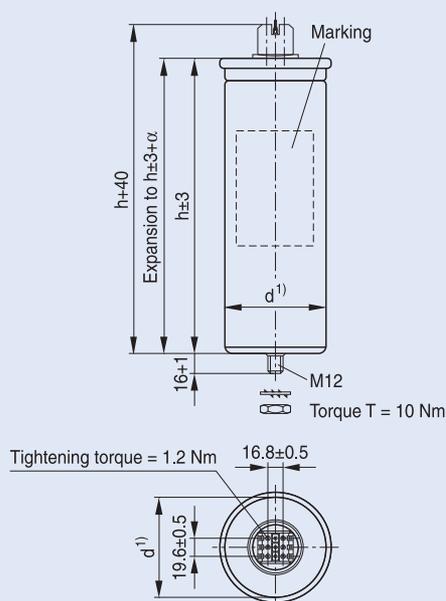


Creepage distance	10.5 mm (ø 53) 10.0 mm (ø 63.5)
Clearance	13.0 mm (ø 53) 16.5 mm (ø 63.5)
Diameter (ø)	53.0 mm 63.5 mm
Expansion α	max. 12 mm

Mounting

	M12 (ø 63.5 mm)	M8 (ø 53.0 mm)
Torque	T = 10 Nm	T = 4 Nm
Toothed washer	J12.5 DIN 6797	J8.0 DIN 6797
Hex nut	BM12 DIN 439	BM 8 DIN 439

Capacitor B32344 series



Creepage distance	9.6 mm
Clearance	12.7 mm
Diameter d (ø)	75.0 mm / 85.0 mm
Expansion α	max. 13 mm

Mounting

	M12
Torque	T = 10 Nm
Toothed washer	J12.5 DIN 6797
Hex nut	BM12 DIN 439

¹⁾ Seaming adds 4 mm in diameter

KLK1842-9-E

PhiCap PFC Capacitors

Biodegradable soft resin impregnated • Stacked winding • Dual safety system



Single-phase capacitors									
Type	50 Hz		60 Hz		C _R μF	d x h mm	Weight kg	Ordering code	Packing unit*
	Output kvar	I _R A	Output kvar	I _R A					
Rated voltage 230 V AC, 50 / 60 Hz									
MKP230-I-0.8	0.8	3.6	1.0	4.3	50	63.5 x 105	0.30	B32340C2002A830	12
MKP230-I-1.7	1.7	7.2	2.0	8.7	100	63.5 x 142	0.40	B32340C2012A730	12
MKP230-I-2.5	2.5	10.9	3.0	13.1	150	63.5 x 142	0.50	B32340C2022A530	12
Rated voltage 400 V AC, 50 / 60 Hz									
MKP400-I-0.8	0.8	2.0	1.0	2.3	15	63.5 x 68	0.30	B32340C3001A880	12
MKP400-I-1.7	1.7	4.2	2.0	5.0	33	63.5 x 68	0.30	B32340C4012A700	12
MKP400-I-2.5	2.5	6.3	3.0	7.5	50	63.5 x 105	0.40	B32340C4022A500	12
MKP400-I-3.3	3.3	8.4	4.0	10.0	66	63.5 x 105	0.40	B32340C4032A300	12
MKP400-I-4.2	4.2	10.4	5.0	12.5	84	63.5 x 142	0.40	B32340C4051A000	12
MKP400-I-5.0	5.0	12.4	6.0	15.0	99	63.5 x 142	0.50	B32340C4052A000	12
Rated voltage 415 V AC, 50 / 60 Hz									
MKP415-I-0.8	0.8	2.0	1.0	2.4	15	63.5 x 68	0.35	B32340C4082A810	12
MKP415-I-1.7	1.7	4.0	2.0	4.8	31	63.5 x 105	0.45	B32340C4012A710	12
MKP415-I-2.5	2.5	6.0	3.0	7.2	46	63.5 x 105	0.50	B32340C4022A510	12
MKP415-I-3.3	3.3	8.0	4.0	9.7	62	63.5 x 142	0.50	B32340C4032A310	12
MKP415-I-5.0	5.0	12.0	6.0	14.5	91	63.5 x 142	0.60	B32340C4052A010	12
Rated voltage 440 V AC, 50 / 60 Hz									
MKP440-I-0.7	0.7	1.6	0.8	1.9	11	63.5 x 68	0.30	B32340C4001A840	12
MKP440-I-1.4	1.4	3.2	1.7	3.8	23	63.5 x 68	0.30	B32340C4011A740	12
MKP440-I-2.1	2.1	4.7	2.5	5.7	34	63.5 x 105	0.40	B32340C4021A540	12
MKP440-I-2.8	2.8	6.4	3.3	7.6	46	63.5 x 105	0.40	B32340C4031A340	12
MKP440-I-3.3	3.3	7.6	4.0	9.1	55	63.5 x 142	0.50	B32340C4032A340	12
MKP440-I-4.2	4.2	9.5	5.0	11.4	68	63.5 x 142	0.50	B32340C4051A040	12
MKP440-I-5.0	5.0	11.4	6.0	13.6	82	63.5 x 142	0.60	B32340C4052A040	12
Rated voltage 480 V AC, 50 / 60 Hz									
MKP480-I-0.7	0.7	1.5	0.8	1.7	10	63.5 x 105	0.30	B32340C4001A880	12
MKP480-I-1.4	1.4	2.9	1.7	3.5	19	63.5 x 105	0.30	B32340C4011A780	12
MKP480-I-2.1	2.1	4.3	2.5	5.2	29	63.5 x 105	0.50	B32340C4021A580	12
MKP480-I-2.8	2.8	5.8	3.3	6.9	38	63.5 x 142	0.50	B32340C4031A380	12
Rated voltage 525 V AC, 50 / 60 Hz									
MKP525-I-1.4	1.4	2.6	1.7	3.1	16	63.5 x 105	0.30	B32340C5011A720	12
MKP525-I-2.8	2.8	5.2	3.3	6.2	31	63.5 x 142	0.50	B32340C5031A330	12
MKP525-I-3.3	3.3	6.3	4.0	7.6	38	63.5 x 142	0.60	B32340C5032A320	12
MKP525-I-4.2	4.2	8.0	5.0	9.5	48	63.5 x 142	0.70	B32340C5051A020	12

Types for voltages 220, 240, 600, 660 V and other kvar-values available upon request.

* Packing units for capacitors equal minimum order quantity. Orders will be rounded up to packing unit or multiple thereof.

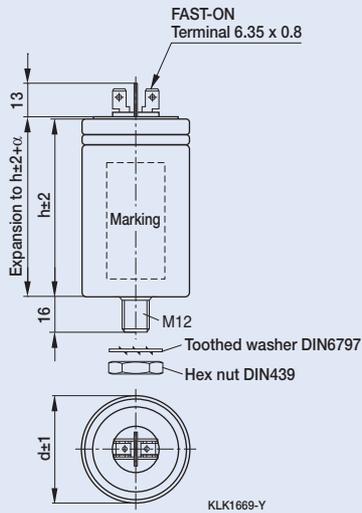
PhiCap PFC Capacitors

Biodegradable soft resin impregnated • Stacked winding • Dual safety system



Dimensional drawings: single-phase capacitors

Capacitor B32340 series

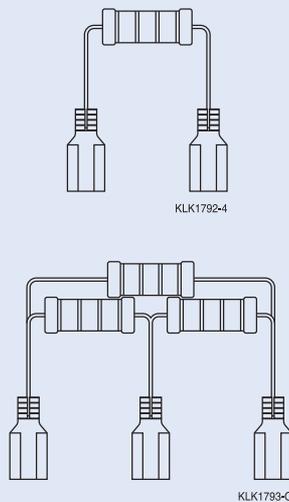


Creepage distance	10.0 mm
Clearance	16.5 mm
Diameter (ø)	63.5 mm
Expansion α	max. 12 mm

Mounting

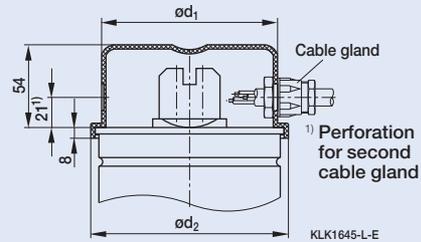
Mounting	M12
Torque	T = 10 Nm
Toothed washer	J12.5 DIN 6797
Hex nut	BM12 DIN 439

Discharge resistors for B32340 and B32343 series



Discharge resistor for B32344 series refer to page 18.

Protective cover for terminal, protection class / IP54



Ø in mm	Ordering code
53.0	B44066K0530A000*
63.5	B44066K0635A000*
75	B44066K0795A000
85	B44066K0895A000

* For B32340 and B32343 series (diameter 53.0 and 63.5 mm), terminal covers with cable entry on top

For IP54 additional cable gland at cable entry required.

PF Controllers BR604 and BR6000 Series

Intelligent • User-friendly • Cost-effective • Version 6.0



General

Controllers for PFC are of major importance in the PFC system. They measure the actual power factor and connect or disconnect capacitor stages to achieve a specific desired value ($\cos \varphi$).

The PF controller series BR604 (four stages) and BR6000 (six and twelve stages) offer highly intelligent control behavior and are very user-friendly thanks to menu-driven handling (plain language). Their multifunctional display greatly simplifies installation, handling and maintenance.

Different versions of the BR6000 series provide solutions to various applications:

- BR6000-R6 and BR6000-R12 for conventional applications with slowly changing loads
- BR6000-T6 for dynamic PFC in applications with fast-changing loads



BR604



BR6000

Features

- Display
 - Multifunctional LCD (2 x 16 characters)
 - Graphic and alphanumeric
 - LCD illumination*
- Intelligent control
- Menu-driven handling (plain language)
- Self-optimizing control capability
- Recall function of recorded values
- Four-quadrant operation (e.g. stand-by generator)
- Large measuring voltage range*
- Powerful alarm output*
- Display of numerous of system parameters
 - System voltage (V AC)
 - Reactive power (kvar)
 - Active power (kW)
 - Frequency*
 - Energy
 - THD-V, THD-I*
 - Individual harmonics up to 19th*
 - Monitoring of individual capacitor currents*
 - Apparent power (kVA)
 - Apparent current (A)
 - Temperature (°C)*
 - Real-time $\cos \varphi$
 - Target $\cos \varphi$
 - kvar value to target $\cos \varphi$
- Alarm output*
 - Insufficient compensation
 - Overcompensation
 - Undercurrent
 - Overcurrent
 - Overtemperature
 - Harmonics exceeded
 - Threshold value programmable
 - Internal error storage
 - Programming of 2nd signal relay random
- Recall recorded values
 - Number of contactor switching operations*
 - Maximum voltage V (V_{max})
 - Maximum reactive power, Q (kvar)
 - Maximum value of harmonic*
 - Maximum active power, P (kW)
 - Maximum apparent power, S (kVA)
 - Maximum temperature (°C)*
 - Operation time of all capacitors*
- Automatic initialization*
- Dynamic PFC (transistor output)**
 - Thyristor switching

⚠ Cautions:

1. Discharge time: Make sure that the discharge time set in controller matches the capacitor discharge time. See page 101.
2. Number of switchings: LV PFC capacitors according to standard IEC 60831 are designed for up to 5000 switching operations. Make sure that 5000 switching operations per year are not exceeded.
3. Controller hunting must be avoided at any case (see page 103)!

* Only for BR6000 series

** Only for BR6000-T series

PF Controllers BR604 and BR6000 Series

Intelligent • User-friendly • Cost-effective • Version 6.0



Selection table				
	BR604	BR6000-R6 ¹⁾	BR6000-R12 ¹⁾	BR6000-T6
Ordering code	B44066R6004E230	B44066R6006E230	B44066R6012E230	B44066R6106E230
		BR6000-R6/HD	BR6000-R12/HD	
Ordering code		B44066R6506E230	B44066R6512E230	
Supply voltage	230 V AC	110 ... 230 V AC		
Measurement voltage range	= supply voltage: 230 V AC (L-N)	30 ... 525 V AC (L-N) or (L-L)		
LCD illumination	no	yes	yes	yes
Plain language	English / German / Portuguese / Spanish	Czech / Dutch / English / French / German / Polish / Portuguese / Russian / Spanish / Turkish		
Number of relay outputs	4	6	12	–
Number of transistor outputs	–	–	–	6
Alarm output	no	yes	yes	yes
• Insufficient compensation	n/a	yes	yes	yes
• Overcompensation	n/a	yes	yes	yes
• Under-/overvoltage	n/a	yes	yes	yes
• Overcurrent	n/a	yes	yes	yes
Automatic initialization	n/a	yes	yes	no
Parameters displayed				
• System voltage	yes	yes	yes	yes
• Reactive power	yes	yes	yes	yes
• Active power	yes	yes	yes	yes
• Frequency	no	yes	yes	yes
• THD-V, THD-I	no	yes	yes	no
• Energy	no	yes	yes	yes
• Individual harmonics up to 19th	no	yes	yes	no
• Monitoring of individual capacitor currents	no	yes	yes	no
• Apparent power	yes	yes	yes	yes
• Apparent current	yes	yes	yes	yes
• Temperature °C / °F)	no	yes	yes	yes
• Real time cos φ	yes	yes	yes	yes
• Target cos φ	yes	yes	yes	yes
• kvar value to target cos φ	yes	yes	yes	yes
Recall recorded values				
• Number of contactor switching operations	no	yes	yes	no
• Maximum voltage	yes	yes	yes	yes
• Maximum active power	yes	yes	yes	yes
• Maximum reactive power	yes	yes	yes	yes
• Maximum value of harmonic	no	yes	yes	no
• Maximum apparent power	yes	yes	yes	yes
• Maximum temperature (°C)	no	yes	yes	yes
• Operation time of all capacitors	no	yes	yes	no
Switching and discharge time range	1 ... 255 seconds	1 ... 1200 seconds		20 ... 1000 ms
Number of control series	23 series preset	20 series preset and control series editor for free programming		
Weight	0.5 kg	1 kg		
Dimensions	100 x 100 x 40 mm	144 x 144 x 55 mm		
Suitable for dynamic PFC	no	no	no	yes

¹⁾ For types with OLED-display, please contact our local sales office.

PF-controllers BR7000-I Series

Intelligent • Cost-effective • Standard, mixed and dynamic compensation



General

The PF controller-series BR7000-I features all characteristics of the well proven BR6000 series in combination with the advantages of a better visualization of the BR7000 series. Some additional innovative characteristics offer the possibility of customized PFC solutions.

The new series BR7000-I-TH and BR7000-I-TH/S485 with 12 relay and 12 transistor outputs are perfectly suited for dynamic and mixed compensation. The BR7000-I-TH/S485 with its additional RS485 interface allows controlling of up to 32 thyristor modules type TSM-LC-S.



BR7000-I

Features

- Intelligent control
- Menu-driven handling, plain language: CZ/EN/ES/FR/GER/NL/PL/PT/RU/TR
- Self-optimizing control capability
- Automatic initialization
- Test-run possible
- Large voltage measuring range
- Recall function for recorded values
- Four quadrant operation (e.g. standby generator)
- Powerful alarm output
- Second parameter set
- Control series editor
- Detailed expert modes
- Controlling of inductive compensation systems possible
- Large number of system parameters displayed:
 - System voltage (V AC)
 - Reactive power (kvar)
 - Active power (kW)
 - Frequency
 - Apparent power (kVA)
 - Apparent current (A)
 - Temperature (°C)
 - Real-time cos-φ
 - Target cos-φ
 - kvar value to target cos-φ
 - Energy
 - Odd Harmonics (3rd ... 33th) V (%), I (%)
 - Even and odd harmonics (2nd, 3rd, 4th – 17th)

- Extended supply voltage 110 ... 230 V
- BR7000-I-TH and BR7000-I-TH/S485 for mixed and dynamic compensation
- BR7000-I-TH/S485 for direct triggering of up to 32 thyristor switches TSM-LC-S at the bus

Additional characteristics

- Large graphical display (128 x 64 dots) – like PF controller series BR7000
- HELP-button for context related help text
- ESCAPE-button allows backspace whilst navigating in the menu
- Outputs:
 - BR7000-I: always 12 relay outputs, 1 alarm relay
 - BR7000-I/TH and BR7000-I/TH/S: 12 relay and 12 transistor outputs, 1 alarm/fan relay output
- 3-digit display of the power factor (cos-φ)/switchable display as tan-φ

- Display-Mode:
 - Simultaneous large display of 3 measuring values for additional usage as measuring and display device; the desired display values editable
 - Uneven harmonics measurable up to 33rd harmonic
 - Even harmonics measurable up to 16th harmonic
 - Graphical display of selected harmonics as bar graph
 - Message/alarm relay programmable with shutter or opener function
- Code number (Password) programmable by the customer
- Update firmware possible

The version BR7000-I/S485 and BR7000-I-TH/S485 even allow visualization, programming and data proceeding via PC with evaluation software BR7000-SOFT included in the delivery. These types feature an additional external input (function programmable for example for a 2nd parameter set and additional freely programmable message relay (e.g. for fan or status message). The serial interface RS485 can be used for controller coupling or embedding into networks.

PF-controllers BR7000-I Series

Intelligent • Cost-effective • Standard, mixed and dynamic compensation



Technical data			
	BR7000-I	BR7000-I/S485	BR7000-I-TH BR7000-I-TH/S485
Operating voltage	110 ... 230 V AC +/- 15%, 50 and 60 Hz		
Measuring voltage	30 ... 440 V AC (L-N); 50 ... 760 V AC (L-L); 50/60 Hz		
Measuring current	X:5A / X:1A selectable		
Power consumption	< 5 VA		
Sensitivity	50 mA/10 mA		
Switching outputs			
Relay outputs	12		12
Transistor outputs	–		12
Alarm relay	1		1
Switching power of relays	250 V AC, 1000 W		
Number of active outputs	programmable		
Operation and display			
Display	illuminated full graphic display 128 x 64 dots		
Menu languages	CZ/EN/ES/F/GER/NL/PL/PT/RU/TR		
Freely editable control series	1 via Editor		
Control			
Control principle	sequential switching, circle switching, intelligent switching behavior, 4-quadrant operation		
Automatic initialization/test-run	possible		no
Target cos-φ	0.3 inductive up to 0.3 capacitive adjustable		
Switch on time	selectable from 1 sec. to 20 min.		Dynamic/relay 20 ... 1000 ms / 1 sec ... 20 min
Switch off time	selectable from 1 sec. to 20 min.		Dynamic/relay 20 ... 1000 ms / 1 sec ... 20 min
Discharge time	selectable from 1 sec. to 20 min.		Dynamic/relay 20 ... 1000 ms / 1 sec ... 20 min
Manual operation	yes		
Fixed steps/skip steps	programmable		
Zero voltage release	standard		
Display/display functions			
Display of grid parameters	cos-φ, V, I, F, W, Q, P, S, ΔQ, THD-V, THD-I		
Display of harmonics	3 rd to 33 rd harmonics of V and I / even harmonics 2 nd to 16 th		
Accuracy	current/voltage: 1% active, apparent and reactive power: 2%		
Integrated help function	context dependent		

PF-controllers BR7000-I Series

Single-phase measurement and controlling • Standard, mixed and dynamic compensation



Technical data				
	BR7000-I	BR7000-I/S485	BR7000-I-TH	BR7000-I-TH/S485
Storage function				
Storage of maximum values	voltage, current, active/reactive/apparent power, temperature, THD-V, THD-I			
Storage of switching operations	yes, each output can be reset separately		relay outputs only	
Storage of operation time	yes, each capacitor can be reset separately		relay outputs only	
Error storage	error register in plain language			
Temperature monitoring				
Monitoring	automatic step switch off			
Temperature measuring range	-20 ... +100 °C			
Casing				
Panel mounted instrument	DIN 43700, 144 x 144 x 55 mm			
Weight	1 kg			
Ambient operating temperature	-20 ... +60 °C			
Protection class acc. DIN 40050 0	front: IP54, rear: IP 20			
Safety regulations	IEC 601010-1:2001, EN61010-1:2001			
Interference resistance	EN50082-1:1995			
EMC interference	IEC61000-4-2: 8 kV IEC61000-4-4: 4 kV			
Interface RS485	no	RS485	no	RS485
Additional external input	no	yes; function programmable	no	yes; function programmable
Additional message relay	no	yes; freely programmable	no	yes; freely programmable
Evaluation software BR7000-SOFT	no	included in the delivery	no	included in the delivery
Ordering code	B44066R7012E230	B44066R7112E230	B44066R7412E230	B44066R7612E230

PF Controllers BR7000/BR7000-T

15 outputs • Three-phase measuring and controlling



General

The PF controllers BR7000/BR7000-T are a follow-up development of the PF controller BR6000-series, featuring two devices in one: it can be used as a controller as well as a grid measuring tool.

The BR7000 offers 15 relay outputs for the steps and three message/ alarm relays. The BR7000-T features 15 transistor outputs for usage in dynamic PFC-systems with thyristor modules TSM-series. Due to the possibility of programming, the 15 outputs can be used for a broad range of applications, for example:

- 15 conventional steps, each for one three-phase capacitor
- 15 steps for single-phase capacitors, where each output will switch a single-phase capacitor to N (usually 5 per phase, balancing of grid is possible)
- Mixed operation: e. g. 6 single-phase capacitors (2 per phase) for balancing plus 9 steps for conventional compensation (three-phase capacitors)

The controller can be connected to a PC via an RS485 interface. The Windows-based software BR7000-SOFT allows the readout

of acquired data. The possibility of graphical display of all values offers a comfortable visualization.



BR7000

Features

- LCD full graphic display
128 x 64 dots, 8 lines, versions BR7000-HD and BR7000-T/HD with OLED-display
- Self explanatory menu navigation in five languages
- Three-phase measuring and controlling; display of following grid parameters:
 - Voltage
 - Current
 - Frequency
 - Energy
 - Real power
 - Reactive power
 - Apparent power
 - Power factor
 - Missing reactive power
 - Harmonic of voltage and current (up to 31st)
 - THD-V
 - THD-I
 - Temperature
- HELP-button for interactive help text
- 15 switching outputs
- 3 additional alarm/message relays
- 2 isolated interfaces
- Detailed error messages with time stamp
- Automatic initialization/test run¹⁾
- Automatic and manual operation, service operation, expert mode
- Three-phase and single-phase controlling; mixed mode possible
- Display and storage of maximum values
- Display of switching operations and operating time¹⁾
- Display of date and time
- Time-controlled functions possible by internal timer
- Oscilloscope mode for graphical display
- Quick programming¹⁾

¹⁾ Only for BR7000 and BR7000-HD series

PF Controllers BR7000/BR7000-T

15 outputs • Three-phase measuring and controlling



Technical data	
BR7000/BR7000-T	
Supply voltage	110 ... 230 V AC 50/60 Hz
Measurement voltage range	3 · 30 ... 440 V AC (L-N); 50 ... 760 V AC (L-L)
Power consumption	< 3 VA
Operating ambient temperature	-20 ... +60 °C
Display	illuminated graphic display, 128 x 64 dots, 8 lines, HD versions with OLED display
Large display of 3 grid parameters	selection in display editor
Plain language	E / ES / GER / RU / TR
In- and outputs	
Number of outputs	BR7000: 15 relay outputs freely programmable for switching of 1- or 3-phase capacitors BR7000-T: 15 transistor outputs freely programmable for switching of 1- or 3-phase capacitors, suitable for dynamic PFC
Alarm/message relay	1/1
Additional separate fan relay	1
Interface	2 independent isolated RS485-interfaces
Input 2nd parameter-set switchover target PF	yes
Special functions	
Measuring	three-phase
Controlling	single-phase, three-phase, mixed mode
Automatic initialization	yes ¹⁾
Test-run of complete PFC-system	yes ¹⁾
Quick-program	yes ¹⁾
Internal timers	yes
Oscilloscope (graphical display) mode	yes
Display editor	yes
Backwards navigation ESCAPE button	yes
HELP button for interactive help text	yes
Number of control series	20 series pre-set
Control series editor for free programming	yes

¹⁾ Only for BR7000 and BR7000-HD series

PF Controllers BR7000/BR7000-T

15 outputs • Three-phase measuring and controlling



Technical data	
Parameters displayed (three-phase display)	
Apparent current (A)	real value / large display / in %
Reactive power (kvar)	real value / large display / in %
Active power (kW)	real value / large display / in %
Apparent power (kVA)	real value / large display / in %
kvar value to target $\cos \varphi$	real value / large display / in %
Energy	real value / large display ¹⁾
Frequency	real value / large display
Temperature	real value / large display
Real-time $\cos \varphi$	real value / large display
Target $\cos \varphi$	real value / large display
Individual harmonics up to	up to 31st, real value / in % / bar graph
THD-V, THD-I	real value / in % / bar graph
Time/date	yes
Recall recorded values	
Min. and maximum voltage	yes, with time stamp
Maximum current	yes, with time stamp
Maximum active power	yes, with time stamp
Maximum reactive power	yes, with time stamp
Maximum apparent power	yes, with time stamp
Maximum value THD-V, THD-I	yes, with time stamp
Maximum temperature (°C)	yes, with time stamp
Operation time of all capacitors	yes ¹⁾
Number of contactor switching operations	yes ¹⁾
Others	
Weight	1 kg
Dimensions (h x w x d)	144 x 144 x 60 mm
PC-software included	yes
Suitable for dynamic PFC	only versions BR7000-T and BR7000-T/HD
Ordering code	BR7000: B44066R7415E230 BR7000-HD: B44066R7515E230 BR7000-T: B44066R7615E230 BR7000-T/HD: B44066R7715E230

¹⁾ Only for BR7000 and BR7000-HD series

Evaluation Software BR7000-SOFT



BR7000-SOFT Windows-based software

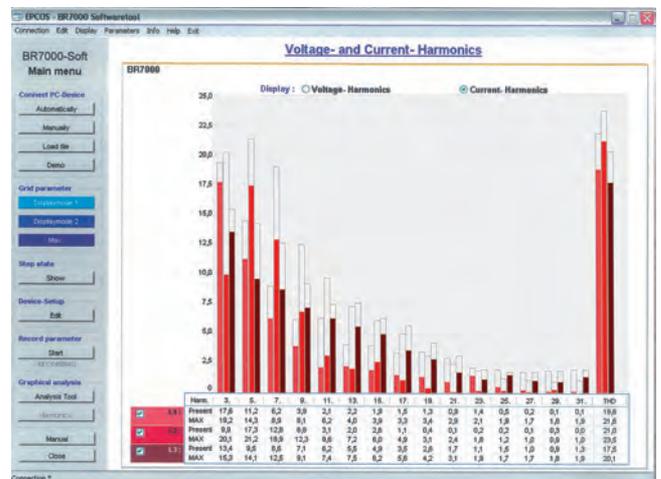
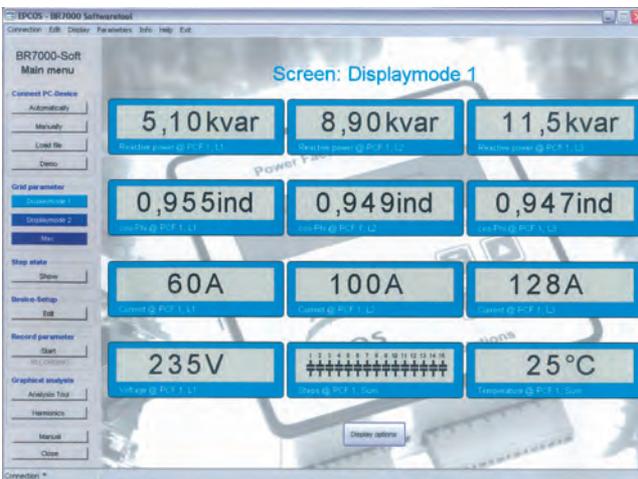
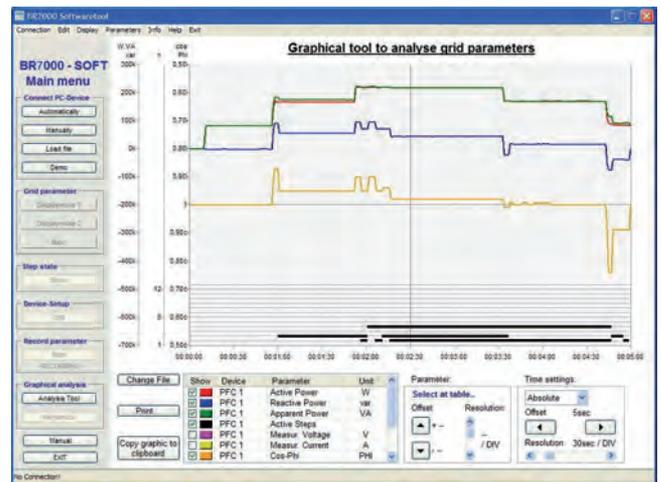
This program offers the possibility for a comfortable parameterization, recording, analysis and visualization of grid parameters in online operation via a PC. It is compatible with PF controller series BR7000.

The software allows the recording and a graphical evaluation of all values including export- and print function. The spectrum of harmonics can be displayed as bar chart.

The configuration manager is used for a complete read out, editing, storing and writing of all parameters of the PF controller via PC. All data can be stored in a configuration file.

Features

- Connection to RS485-bus
- Administration of several PF controllers possible
- Convenient analysis of recorded values
- Direct connection to USB port of a PC via USB adapter
- CD-ROM included in the delivery of PF controller BR7000 and BR7000-I/S485



Accessories for PF Controllers



Accessories: USB to RS485 converter

Characteristics

Design	compact form in plastic casing
Dimensions (h x w x d)	28 x 66 x 66 mm
Weight	approx. 0.1 kg
Connection	RS485 four pole terminal with mating plug for 1:1-connection with BR6000
Signals	A, B, GND
USB	USB-B standard bushing, one USB cable 1 m length included
Power supply	via USB connection of the PC
Power consumption	auxiliary power approx. 40 mA, depending on number of connected devices and cable length
Compatibility	USB 2.0, downward compatible
Configuration	plug and play
Ambient temperature	-10 ... +60 °C
Storage temperature	-20 ... +75 °C
Ordering code	B44066R3333E230

USB to RS485 converter to connect the PF controllers BR7000, BR7000-I/S485 and BR7000-I-TH/S485 or other devices with Interface RS485 to a PC with USB interface. Connection of several devices at RS485 possible.



Accessories: DataLogSD

Characteristics

Design	compact plastic casing
Dimensions (h x w x d)	66 x 66 x 28 mm
Weight	approx. 0.1 kg
Power supply	self supporting via interface BR7000, BR7000-I/S485 and BR7000-I-TH/S485
Recorded grid parameters	V, I, reactive, effective and apparent power, frequency, harmonics up to 31st of V and I, cos-φ, THD-V, THD-I, energy
Recorded parameters of the PFC-system	system temperature, step output, control history of the system (switching operations, switching behavior, power-on-time)
Content of delivery	DataLogSD, SD-card, evaluation software CD, patch cable 0.5 m
Ordering code	B44066R1311E230

Data logger for recording, visualisation and evaluation for grid parameters. Comfortable evaluation of acquired data (recorded on SD-card) via Windows-based software.



Accessories for PF Controllers



Accessories: RJ45 adapter connectors

Characteristics	
Design	compact form
Dimensions (w x h x l)	35 x 15 x 30 mm
Weight	approx. 0.1 kg
Variants	1xRJ45-BR6000: 4-pole interface-terminal BR7000, BR7000-I/S485 and BR7000-I-TH/S485 to 1xRJ45 jack 2xRJ45-BR6000: 4-pole interface-terminal BR7000, BR7000-I/S485 and BR7000-I-TH/S485 to 2xRJ45 jack (in parallel) 2xRJ45-MMI6000: 4-pole interface-terminal MMI6000 to 2xRJ45 jack
Protection class (IEC 60529)	IP00
Ambient and storage temp.	-20 ... +60 °C
Ordering codes	1 x RJ45 for BR7000, BR7000-I/S485 and BR7000-I-TH/S485: B44066R1611E230 2 x RJ45 for BR7000, BR7000-I/S485 and BR7000-I-TH/S485: B44066R1711E230 2 x RJ45 for MMI6000: B44066R1811E230

RJ45 adapter connectors for PF controller series BR7000 and BR7000-I-TH/S485 as well as for the MMI6000 multi-measuring interface. Three different versions of the adapter connectors enable the following configurations:

- Terminal to RJ45 converter
- To connect the interface terminal of BR7000 and BR7000-I-TH/S485 or MMI6000 via a RJ45-standard cable (1:1)
- Connection of several devices at the RS485 bus with simple connection (one click)

Example:

- Connection of several BR7000, BR7000-I/S485 and BR7000-I-TH/S485 to a PC with BR7000-SOFT
- Coupling of several BR7000-I/S485 with each other

Accessories for PF Controllers



Accessories: Touch Panel VIP-3-TP for coupling of 3 compensation-systems with PF-controllers BR7000-I/S

Characteristics

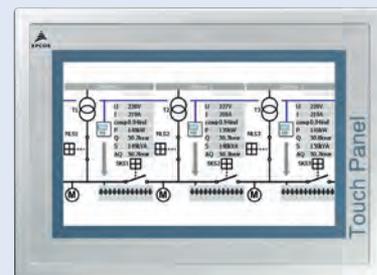
Dimensions (w x h x d):	
Front	212 x 156 x 6 mm
Rear	196 x 140 x 51 mm
Cut out for panel	198 x 142 mm
Weight	1.2 kg
Size of display	7"
Resolution	800 x 480 pixel
Operating voltage	24 V DC
Power consumption (rated value)	0.4 A
Degree of protection:	
Front	IP65
Rear	IP20
Operating/storage temperature	0 ... +50 °C / -20 ... +60 °C
Interfaces	COM2: RS485 (25 pol. Sub-D); USB; 24 V DC
Accessories incl. in the delivery	Panel (software pre-installed), mounting clips, Sub-D to RJ45-adapter
Ordering codes	B44066R1703E230

Comfortable control device for intelligent coupling of 3 compensation systems. Enables operation of compensation systems in parallel for three coupled feeding transformers without any retroactivity. The control device „VIP-3-TP“ realizes the coupling with PF-controllers BR7000-I/S485 and at the same time offers a comfortable visualization of the measuring values, switching states and of the actual system state.

To achieve this, the device is connected to the PF-controllers via Patch-cables only (RS485-interface).

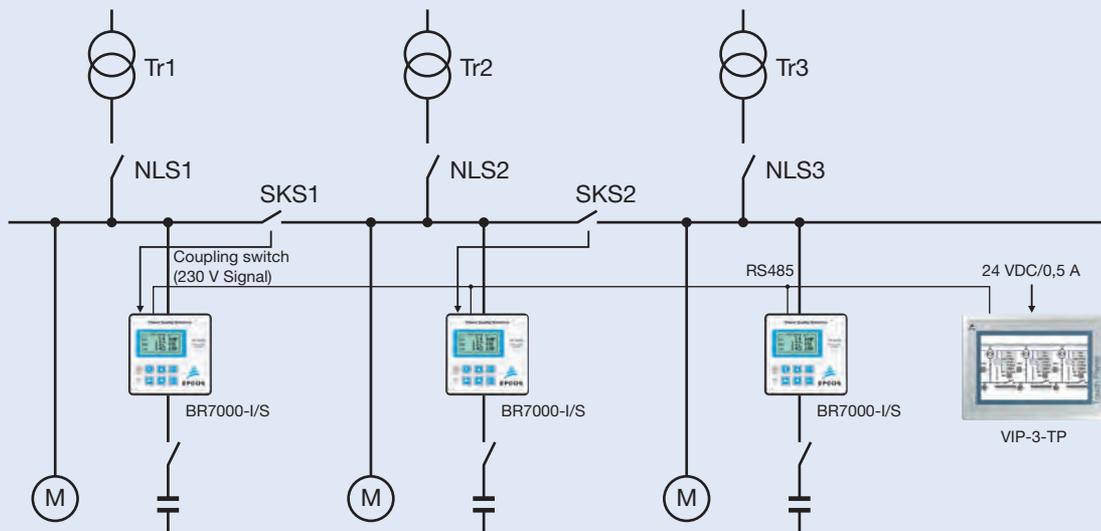
All possibilities of coupling are supported:

- Coupling with 2 coupling switches
- Ring coupling (3 coupling switches)
- Coupling via separate coupling bus bars (3 coupling switches)



Accessories for PF Controllers

Accessories: Touch Panel VIP-3-TP for coupling of 3 compensation-systems with PF-controllers BR7000-I/S



Accessories for PF Controllers

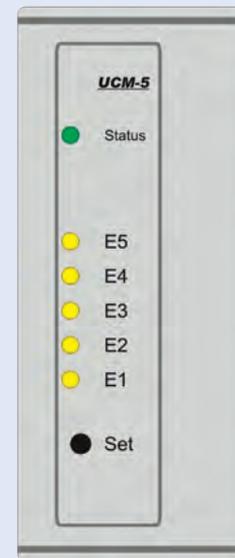


Accessories: S0-Impulse-Module UCM-5

Characteristics

Dimensions (w x h x d)	33 x 82 x 126 mm
Weight	approx. 0.1 kg
Power supply	24 V DC (18 ... 27 V)
Power consumption	> 1 VA
Inputs (S0-interface) 5 ... 27 V galvanically separated	5 impulse inputs for P+, P- (active power: consumption/delivery) Q+, Q- (reactive power: inductive/capacitive) synchronic impulse
Outputs	interface RS485 (Modbus-RTU) 4-pole plug connector included in the delivery (via adapter: system interface RS485 possible)
Baud rate	9600, 19200, 38400 Baud (factory setting)
Operation mode cost center management	readings recorder (counter values), for embedding of up to 32 devices (also MMI6000/MMI7000) in Modbus networks for further processing in software MMI-energy
PF controller supported during controlling acc. counter impulses	BR7000-I-TH/S485 BR7000 BR7000-I/S485
Degree of protection (VDE 0470)	IP20
Content of delivery	compact device, software-CD
Allowed operation temp.	-10 ... +50 °C
Ordering code	B44066R1411E230

- Bus compatible S0-impulse module for software MMI-energy for conversion of counter impulses (Q+, Q-, P+, P-, synchronic) on RS485 (MODBUS-RTU protocol)
- Accessory for processing of counter values in PF controller (controlling of reactive power related to counter impulses instead of current transformer)
- Allows processing of counter values via Windows-software MMI-energy (included in the delivery): cost center management, visualization and evaluation
- Cross-linking of up to 32 devices (UCM-5, MMI6000, MMI7000, MMI8003, BR7000) at MODBUS
- Compact design in plastic case
- Mounting on DIN-rail possible
- Evaluation software included in the delivery



Multi Measuring Interfaces

Stand-alone device as trigger • Accessory for PF controller BR-series



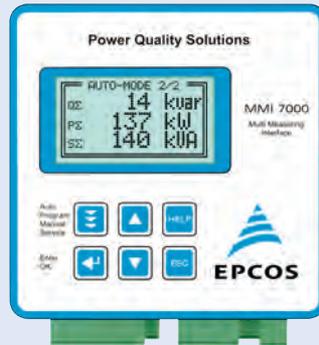
General

The MMI6000, MMI7000 and MMI8003, universal measuring devices, display and record a large number of key grid parameters. Harmful conditions in the grid

(e.g. a high harmonic content) with a negative impact on the system are thus revealed immediately.



MMI6000



MMI7000



MMI8003

MMI6000

Measuring device for single phase measuring. It is an external meter combining many devices in one. Combined with a PF controller with interface the MMI6000 monitors the input lead of the PFC system.

Versions:

- MMI6000-R with relay output
 - MMI6000-T with transistor output
- All versions are with an interface RS485.

Applications

Coupling MMI6000 – BR7000 via RS485 interface

- Genuine monitoring of the particular capacitor currents offers additional protection for the whole PFC-system.

MMI6000 / Modbus RTU

- Usage as separate measuring device allows display of all network parameters and delivery via Modbus-RTU-protocol.

MMI6000 / ASCII OUT

- Measured values are provided in ASCII code via interface; usage also as a trigger relay.

MMI6000-T Dyna-I-trigger

- Triggering of TSM-thyristor switches in real time, providing the switching within 1 ms.

MMI7000

Supported by the “BR7000-SOFT” (windows-based software) if connected to a RS485 bus, the measured values from all connected devices can be displayed via a PC.

Three versions available:

- MMI7000-B (basic version)
- MMI7000-S (2 interfaces)
- MMI7000-E (1 interface, memory card, additional outputs)

Applications

Three-phase measuring device in panels:

- Grid measurements
- Power measurements
- Measurement of harmonics
- Energy counter (sub-counter)
- Display device in incoming supply or all outgoing lines
- Triggering of messages or switching operations
- Four relay outputs
- Storage of all grid parameters – long-term monitoring via SD card
- Transmitter for external systems
- Coupling with PF controllers with interface for 3-phase external monitoring of the capacitor currents – additional protection for the whole PFC system

MMI8003

Genuine measuring device for three phase measuring. Supported by the “BR7000-SOFT” (windows-based software) it has to connect to a RS485 bus, the measured values from all connected devices can be displayed and processed via a PC or an external control system.

- without display
- for using inside a cabinet
- with interface (2x RJ45)
- mounting on hut rail

Applications

Three-phase measuring device in panels:

- Grid measurements
- Power measurements
- Measurement of harmonics
- Energy counter (sub-counter)
- Display device in incoming supply or all outgoing lines

All values can be read out via Modbus in real time.

Multi Measuring Interfaces

Stand-alone device as trigger • Accessory for PF controller BR-series



Technical data			
	MMI6000	MMI7000	MMI8003
Weight	0.5 kg	1.0 kg	0.5 kg
Dimensions (h x w x d)	panel mounting instrument 100 x 100 x 45 mm	panel mounting instrument 144 x 144 x 35 mm (MMI7000-B) 144 x 144 x 60 mm (MMI7000-S/-E)	Plastic casing for hut rail mounting, 92 x 90 x 38 mm
Interface	1x RS485 (4-pole terminal) Protocol: MODBUS RTU	MMI7000-E: 1x RS485 (RJ45) MMI7000-S: 2x RS485 (RJ45) Protocol: MODBUS RTU	System interface RS485 (Modbus RTU)
Windows-software BR7000-soft	–	included in the delivery	included in the delivery, additional PC-software for parametrization
Output capacity	MMI6000-R: 250 V AC, 1000 W MMI6000-T: 60 V DC, 150 mA	MMI7000-E: 250VAC, 1000 W	n/a
Display	Graphical, 2 x 16 characters, illuminated	Graphical, 128 x 64 dots, illuminated	n/a
Menu languages	English/German	English/German/Russian/ Spanish/Turkish	n/a
Measuring and display	Single phase V, I, F, Q, P, S, cos-φ, W, temperature	Three phase V, I, F, Q, P, S, cos-φ, THD-V, THD-I, W, harmonic of voltage up to 51st, harmonic of current up to 51st, temperature	Three phase V, I, Q, P, S, F, THD-V, THD-I, W, cos-phi, single harmonics of voltage and current. All values can be read out via Modbus in real time
Operating voltage	230 V AC	110 ... 230 V AC +/- 15 %	24 V DC (via external terminal)
Measuring voltage	230 V AC	Three phase 3 · 30 ... 440 V AC (L-N) 3 · 50 ... 760 V AC (L-L)	Three phase 3 · 30 ... 440 V~ (L-N) 3 · 50 ... 690 V~ (L-L)
Frequency	50/60 Hz	50/60 Hz	10 ... 80 Hz
Power consumption	< 4 VA	< 5 VA	< 1 VA
Measurement current	X:5A and X:1A	3 · X:5A / X:1A	3 · X:5A / X:1A selectable
Measuring temperature range	0 ... +100 °C	-20 ... +100°C	n/a
Ambient temperature range	-10 ... +55 °C	-10 ... +55 °C	-10 ... +55 °C
Storage temperature range	-20 ... +75 °C	-20 ... +75 °C	-20 ... +75 °C
Overvoltage class	II	II	II
Pollution degree	2	2	2
Humidity class	15 ... 95% without dew	15 ... 95% without dew	15 ... 95% without dew
Mounting position	any	any	any
Protection class to IEC 60529	Front IP54, rear IP20	Front IP54, rear IP20	IP20
Safety guidelines	IEC 61010-1:2001, EN 61010-1:2001	IEC 61010-1:2001, EN 61010-1:2001	IEC 61010-1:2001, EN 61010-1:2001
Sensitivity to interferences (Industrial areas)	IEC 61000-4-2:8 kV, IEC 61000-4-4:4 kV	IEC 61000-4-2:8 kV, IEC 61000-4-4:4 kV	IEC 61000-4-2:8 kV, IEC 61000-4-4:4 kV
Ordering code	MMI6000-R: B44066M6000E230 MMI6000-T: B44066M6100E230	MMI7000-B: B44066M7100E230 MMI7000-S: B44066M7200E230 MMI7000-E: B44066M7300E230	B44066M8003E024

Grid Analysis Tool MC7000-3

Three-phase measuring • Easy evaluation of data • Memory card included



General

The measuring device MC7000-3 has been developed for three-phase measuring, display and storage of electric parameters in low-voltage grids. The Windows-based software (included in the delivery) allows a fast and comfortable evaluation of the measured data. Based on the findings of this evaluation the optimum design for a tailored PFC solution or the inspection of an existing one is easily performed. The collected data is available in Excel-format giving the user further processing options. As an additional feature the MC7000-3 is equipped with an

SD memory card slot. A memory card for data storage and easy passing on to a PC is already included in the delivery. Featuring an illuminated 128 x 64 graphic display and a large number of configuration options for data collection, display and storage the new standard measuring tool is flexible and easy to use in the field. Additionally its compact design and the light weight suitcase make it easy to transport. A further benefit for very user is the availability of not only English, but also German, Spanish, Russian and Turkish as menu languages.



Features

- Measuring, display and storage of numerous parameters
 - Voltage (3-phase)
 - Current (3-phase)
 - Frequency (3-phase)
 - Active power (3-phase)
 - Reactive power (3-phase)
 - Apparent power (3-phase)
 - Power factor (3-phase)
 - Active, reactive and apparent energy
 - Voltage harmonics (up to 51st)
 - Harmonics of current (up to 51st)
 - TDH-V (3-phase)
 - THD-I (3-phase)
 - Temperature
- Comfortable programming of recording interval and duration via timers
- Display and internal storage of maximum values with time stamp
- Display of date and time
- Display of harmonics, bar diagram available
- Large number of display options e.g. rotating display and adjustment of font size

PC software included

- Software for evaluation of grid parameters for Windows operating system
- Administration of several projects possible
- Graphical display
 - Several pre-configured graphical display of standard values
 - Graphical display of selected grid values, large number of configuration options
 - Comfortable editing of parameters and time interval
 - Display as line graph or bar diagram
 - Copy into clipboard and print function available
- Mathematical evaluation of measured values
 - Automatic calculation of required kvar (target-cos- ϕ to be set by user)
 - Evaluation of measured harmonics and recommendation of detuning factor of a PFC system of calculated size
 - Influence of detuning on the harmonics for the calculated detuning factor and system size is provided

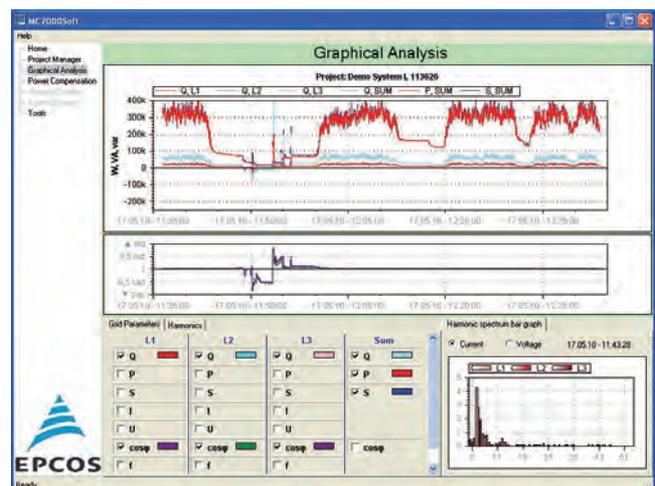
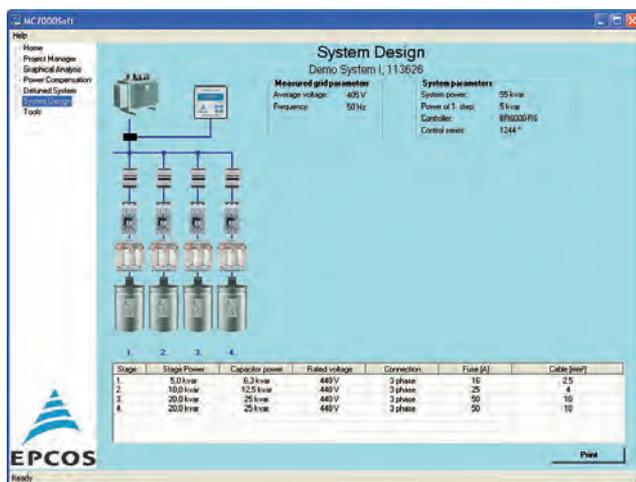
Grid Analysis Tool MC7000-3

Three-phase measuring • Easy evaluation of data • Memory card included



Technical data	
Weight	approx. 4 kg
Dimensions (h x w x d)	compact light weight plastic suitcase 390 x 310 x 147 mm (outside dimensions)
Operating voltage (auxiliary voltage)	110 ... 230 V AC \pm 15%
Power consumption	< 5 VA
Frequency	50/60 Hz
Max. measuring voltage¹⁾ (3-phase)	3 · 30 ... 440 V AC (L-N), 50/60 Hz 3 · 50 ... 760 V AC (L-L), 50/60 Hz
Measuring current (3-phase)	30, 300, 3000 A (MiniFlex flexible current clamps, to be ordered separately)
Display	illuminated, full graphic, 128 x 64 dots
Menu	D / E / ES / RU / TR
Ambient temperature range (operation)	-10 ... +50 °C
Storage temperature range	-20 ... +60 °C
Pollution degree	2
Overvoltage class	CAT III
Protection degree accord. IEC 60529	IP40
Connection	N connection mandatory, PE in case N not available
Security	IEC 61010-1:2001, EN 61010-1:2001
Ordering code	B44066M7777E230
Accessories included	3 safety voltage measuring cables 2 m (black, red, violet), 1000 V, CAT IV, incl. high power fuse 1 safety voltage measuring line 2 m, blue, 1000 V, CAT III 4 safety dolphin clips 1000 V, CAT III, black, red, violet, blue Windows-based software CD-ROM low power device connection
Accessory mandatory, but not included	3 flexible MiniFlex current clamps, cable 2.8 m, 600 V _{rms} (CAT IV), 1000 V _{rms} (CAT III) max. 3000 A, sensor 400 mm
Ordering code	1 piece: B44066M1301E230
Ordering code	3 pieces: B44066M1303E230

¹⁾ Incl. all tolerances and overvoltages



Switching Devices – Capacitor Contactors

Specially designed for damping of inrush current in LV PFC systems



General

When a capacitor is switched to an AC voltage, the result is a resonant circuit damped to a greater or lesser degree. The switching of capacitors can cause high inrush currents, particularly when they are switched in parallel to others already activated in the power line, and if high short-circuit powers are present on the line.

Capacitor contactors with damping resistors make use of pre-switching auxiliary contacts. They close before the main contacts and pre-load the capacitor thus avoiding current peak values.

This influences positively the life expectancy of the capacitor significantly in addition to the positive impact on the power quality (avoiding transients and voltage sags that otherwise may be caused by switching in capacitors).



Applications

- Damping of inrush current in low-voltage PFC systems
- For PFC systems with and without reactors

Features

- Excellent damping of inrush current
- Improved power quality (e.g. avoidance of voltage sags)
- Longer useful service life of main contacts of capacitor contactor
- Soft switching of capacitor and thus longer useful service life
- Enhanced mean life expectancy of PFC system
- Reduced ohmic losses
- Leading contacts with wiper function
- Tamper-proof and protected resistors
- Easy access for cable connection
- Voltage range: 400 ... 690 V
- Output range: 12.5 ... 100 kvar
- Series J110/J230 for PFC systems without reactors
- Series N110/N230 for PFC systems with reactors only
- AC6b utilization category (B44066S****J***)

Approvals

- cUL file 224924
- CCC (Certificate for China Compulsory Product Certification)

Switching Devices – Capacitor Contactors

Specially designed for damping of inrush current in LV PFC systems



Technical data										
Type		B44066****J230/J110/N230/N110								
Main contacts		S1810	S2410	S3210	S5010	S6210	S7410	S9010	S9910	
Rated insulation voltage V_i	V_{IS}	[V AC]	690 ¹⁾	690 ¹⁾	690 ¹⁾	690 ¹⁾	690 ¹⁾	690 ¹⁾	1,000 ¹⁾	1,000 ¹⁾
		Admissible frequency of operation	120	120	120	120	120	120	80	80
Contact life		million operations	0.25	0.15	0.15	0.15	0.15	0.12	0.12	0.12
Cable cross section										
solid or standard	⊘	[mm ²]	1.5–6	2.5–25	2.5–25	4–50	4–50	4–50	0.5–95/10–120	0.5–95/10–120
flexible	⊘	[mm ²]	1.5–4	2.5–16	2.5–16	10–35	10–35	10–35	0.5–70/10–95	0.5–70/10–95
flexible with multicore cable end	⊘	[mm ²]	1.5–4	2.5–16	2.5–16	6–35	6–35	6–35	0.5–70/10–95	0.5–70/10–95
Cables per clamp			2	1	1	1	1	1	2	2
Operating range of magnet coils in multiples of control voltage		V_S	0.85–1.1	0.85–1.1	0.85–1.1	0.85–1.1	0.85–1.1	0.85–1.1	0.85–1.1	0.85–1.1
Auxiliary contacts ¹⁾										
Rated insulation voltage V_i	V_{IS}	[V AC]	690 ¹⁾	690 ¹⁾	690 ¹⁾	690 ¹⁾	690 ¹⁾	690 ¹⁾	690 ¹⁾	690 ¹⁾
Rated current I_{th} at ambient temperature max. 40 °C		I_{coth} [A]	16	10	10	10	10	10	10	10
max. 60 °C		I_{coth} [A]	12	6	6	6	6	6	6	6
Utilization category AC15										
220 to 240 V		I_{coth} [A]	12	3	3	3	3	3	3	3
380 to 440 V		I_{coth} [A]	4	2	2	2	2	2	2	2
Short circuit protection										
Highest fuse rating		I_{coth} [A]	25	20	20	20	20	20	20	20
slow, gL (gG)										
Auxiliary contacts		NO/NC	1/0	1/0	1/0	1/0	1/0	1/0	1/0	1/0

IEC 947-4-1, IEC 947-5-1, EN 60947-4-1, EN 60947-5-1, VDE 0660. Dimensional drawing: see datasheet

¹⁾ Applies to networks with grounded star point, overvoltage category I to IV, pollution severity 3 (industrial standard), $V_{imp} = 8$ kV. Values for other conditions on request.

Main technical parameters									
Capacitor power at ambient temperature, voltage, 50/60 Hz						Rated current		Weight	Ordering code
380 – 400 V		415 – 440 V		660 – 690 V					
+50 °C	+60 °C	+50 °C	+60 °C	+50 °C	+60 °C	+50 °C	+60 °C	kg	
kvar	kvar	kvar	kvar	kvar	kvar	A	A		
110 V coil									
0–12.5	0–12.5	0–13	0–13	0–20	0–20	18	18	0.34	B44066S1810J110
10–20	10–20	10.5–22	10.5–22	17–33	17–33	28	28	0.60	B44066S2410J110
10–25	10–25	10.5–27	10.5–27	17–41	17–41	36	36	0.60	B44066S3210J110
20–50	20–50	23–53	23–53	36–82	36–82	72	72	1.10	B44066S6210J110
20–75	20–60	23–75	23–64	36–120	36–100	108	87	1.10	B44066S7410J110
33–80	33–75	36–82	36–77	57–120	57–120	115	108	2.30	B44066S9010J110
33–100	33–90	36–103	36–93	57–148	57–148	144	130	2.30	B44066S9910J110
230 V coil									
0–12.5	0–12.5	0–13	0–13	0–20	0–20	18	18	0.34	B44066S1810J230
10–20	10–20	10.5–22	10.5–22	17–33	17–33	28	28	0.60	B44066S2410J230
10–25	10–25	10.5–27	10.5–27	17–41	17–41	36	36	0.60	B44066S3210J230
20–33.3	20–33.3	23–36	23–36	36–55	36–55	48	48	1.10	B44066S5010J230
20–50	20–50	23–53	23–53	36–82	36–82	72	72	1.10	B44066S6210J230
20–75	20–60	23–75	23–64	36–120	36–100	108	87	1.10	B44066S7410J230
33–80	33–75	36–82	36–77	57–120	57–120	115	108	2.30	B44066S9010J230
33–100	33–90	36–103	36–93	57–148	57–148	144	130	2.30	B44066S9910J230

Switching Devices – Capacitor Contactors

Specially designed for damping of inrush current in LV PFC systems



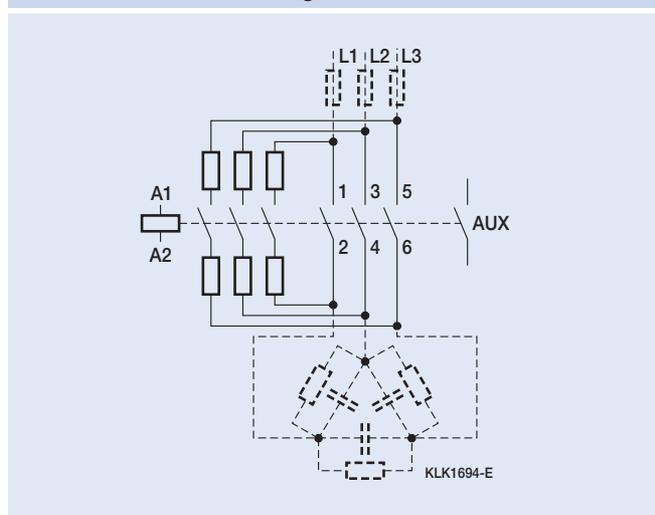
Main technical parameters

Capacitor power at ambient temperature, voltage, 50 / 60 Hz						Rated current		Weight kg	Ordering code
380 – 400 V		415 – 440 V		660 – 690 V		+50 °C A	+60 °C A		
+50 °C kvar	+60 °C kvar	+50 °C kvar	+60 °C kvar	+50 °C kvar	+60 °C kvar				
110 V coil									
0–12.5	0–12.5	0–13	0–13	0–20	0–20	18	18	0.23	B44066S1810N110*
10–20	10–20	10.5–22	10.5–22	17–33	17–33	28	28	0.50	B44066S2410N110*
10–25	10–25	10.5–27	10.5–27	17–41	17–41	36	36	0.90	B44066S3210N110*
20–50	20–50	23–53	23–53	36–82	36–82	72	72	0.90	B44066S6210N110*
20–75	20–60	23–75	23–64	36–120	36–100	108	87	0.90	B44066S7410N110*
33–80	33–75	36–82	36–77	57–120	57–120	115	108	2.20	B44066S9010N110*
33–100	33–90	36–103	36–93	57–148	57–148	144	130	2.20	B44066S9910N110*
230 V coil									
0–12.5	0–12.5	0–13	0–13	0–20	0–20	18	18	0.23	B44066S1810N230*
10–20	10–20	10.5–22	10.5–22	17–33	17–33	28	28	0.50	B44066S2410N230*
10–25	10–25	10.5–27	10.5–27	17–41	17–41	36	36	0.50	B44066S3210N230*
20–33.3	20–33.3	23–36	23–36	36–55	36–55	48	48	0.90	B44066S5010N230*
20–50	20–50	23–53	23–53	36–82	36–82	72	72	0.90	B44066S6210N230*
20–75	20–60	23–75	23–64	36–120	36–100	108	87	0.90	B44066S7410N230*
33–80	33–75	36–82	36–77	57–120	57–120	115	108	2.20	B44066S9010N230*
33–100	33–90	36–103	36–93	57–148	57–148	144	130	2.20	B44066S9910N230*

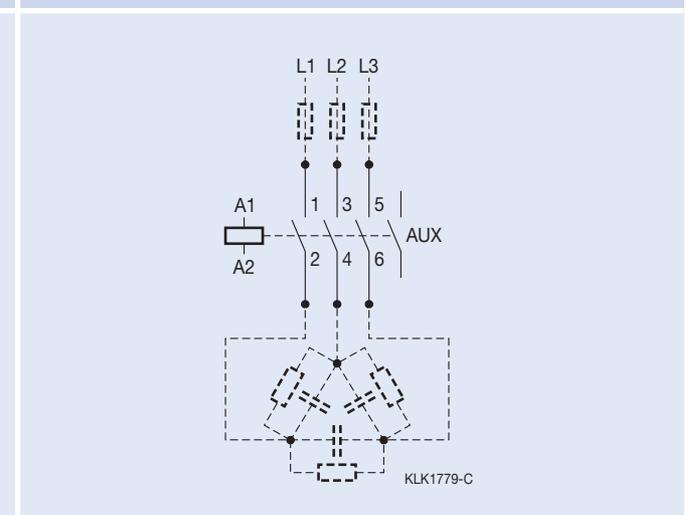
* without CCC

Connection diagrams

All types B44066S**J*** (with preload resistors), B44066S1810J230 and B44066S1810J110 with wires on the bottom, B44066S9010J230 and B44066S9910J230 with resistors inside housing**



All types B44066S**N*** (without preload resistors)**



Switching Devices – Thyristor Modules for Dynamic PFC, TSM-Series



General

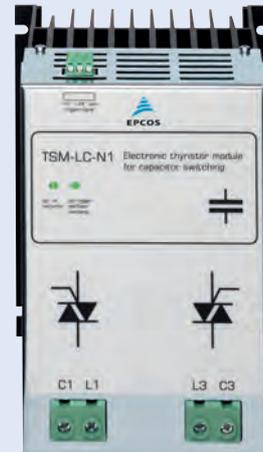
Conventional systems for power factor correction are used to optimize the power factor and reduce the level of harmonics in the grid. The usage of new technologies in modern industry has negative impacts on electric power quality of the main supply networks, e.g. frequent high load fluctuations and harmonic oscillation.

Excessive currents, increased losses and flickering will not only influence the supply capacity but will also have a significant impact on the operation of sensitive electronic devices.

The solution for this are dynamic power factor correction systems.

With the thyristor module series TSM-LC and TSM-HV, we provide the main component – “the electronic switch” – for dynamic power factor correction.

The TSM module series offers fast electronically controlled, self-observing thyristor switches for capacitive loads up to 200 kvar, that are capable to switch PFC capacitors within a few milliseconds nearly without a limitation to the number of switchings during the capacitor lifetime.



Applications

- Main supply networks with high load fluctuations for dynamic PFC systems
- Presses
- Welding machines
- Elevators
- Cranes
- Wind turbines

Features

- Easy installation: it can be used similar to a contactor
- All the intelligence needed is offered within the thyristor module itself
- Reaction time: 5 milliseconds only
- Permanent self-controlling of:
 - voltage parameter
 - phase sequence
 - capacitor output
- Display of
 - operation
 - faults
 - activation
- TSM-LC-I: Single-phase, for direct 2-phase switching of capacitive loads (L-N) or (L-L)
- TSM-LC-S: Triggering of the module via system bus (patch cable) from PF-controller BR7000-I-TH/S485
 - Up to 32 devices at supported by controller
 - Display and monitoring of V, I, Q, temperature, switching state
 - Error display and evaluation via bus directly at PF-controller
 - Direct monitoring of temperature switch of filter reactor
- Voltage range:
 - TSM-LC-I: 230 ... 525 V
 - TSM-LC*: 380 ... 440 V
 - TSM-LC-S: 200 ... 440 V
 - TSM-LC-N690: 380 ... 690 V
 - TSM-HV: 690 V
- Output range:
 - TSM-LC-I: 10 ... 22 kvar, depending on the voltage
 - TSM-LC: 10, 25, 50, 100, 200 kvar, depending on the voltage
 - TSM-HV: 200 kvar

Switching Devices – Thyristor Modules for Dynamic PFC, TSM-Series



Selection table TSM-series

	TSM-LC-I ³⁾	TSM-LC10	TSM-LC-N1	TSM-LC-N690	TSM-LC-S
Ordering code	B44066T1022E520	B44066T0010E402	B44066T3850E402	B44066T3050E690	B440661050E402
Rated voltage	230 ... 525 V	380 ... 400 V	380 ... 440 V AC	380 ... 690 V AC	200 ... 440 V AC
Max. grid voltage: – in conventional PFC systems (without reactors)	525 V	440 V	440 V	690 V	440 V
– in detuned PFC system (7% detuning)	525 V	440 V	440 V	690 V	440 V
– in detuned PFC system (14% detuning)	525 V	400 V	max. 440 V	max. 690 V	max. 440 V
Frequency	50/60 Hz	50/60 Hz	50/60 Hz	50/60 Hz	50/60 Hz
Maximum power / at nominal voltage	10 to 22 kvar depend- ing on the voltage	12.5 kvar	25 to 50 kvar depend- ing on the voltage	40 to 75 kvar depend- ing on the voltage	15 to 55 kvar depending on the voltage
Power circuit	Connection via plug connector; conduc- tor cross section steep or flexible max 2 x 35 mm ²)	Direct connection 4 pole via terminal clamps (D = 6 mm ² resp. 4 mm ²)	Direct connection via terminal clamps from the bottom	Direct connection via high current plug; connection from the bottom	Direct connection via high current plug; connection from the bottom
Neutral required	no	no	no	no	no
Aux. supply voltage required	24 V DC	no	no	230 V~/10 VA	24VDC via power supply module ESP24
Connection	from front	from bottom	Connection of main current lines via high current plug connections (included in the delivery); can be connected via lines (max. 35 mm ²) directly to the main fuse resp. capacitor		
Losses (PD in W)	Pv (in W) = 1.0 x I (in A); at nominal power: approx. 45 W (thermal)	Pv (in W) = 2.0 x I (in A); at 400 V/ 12.5 kvar approx. 35 W (thermal)	Pv (in W) = 2.0 x I (in A); at nominal voltage approx. 150 W thermal	Pv (in W) = 2.4 x I (in A); appr. 150 W thermal at nominal current	Pv (in W) = 2.0 x I (in A); at nominal voltage approx. 150 W thermal
Recommended fuses “superfast”	1x electronic fuse (NH00 AC 690 V) 63 A	3x electronic fuse (NH00 AC 690 V) 35 A	3x electronic fuse (NH00 AC 690 V) 50 kvar: 125 A 25 kvar: 63 A	3x electronic fuse (NH00 AC 690 V) 125 A	3x electronic fuse (NH00 AC 690 V) 125 A
Dimensions in mm (w x h x d)	70 x 200 x 150	163 x 152 x 75	157 x 200 x 180	157 x 200 x 190	157 x 200 x 180
Weight	1.5 kg	1.75 kg	approx. 4.8 kg	approx. 4.8 kg	approx. 5 kg
Display per phase	3 LED	2 LED	2 LED	2 LED	OLED-Display 2 x 16 characters
Ambient temperature	-10 °C ... +55 °C	-10 °C ... +55 °C	-10 °C ... +55 °C	-10 °C ... +55 °C	-10 °C ... +55 °C
Discharge resistors EW-22 needed	not needed	1	1	2	1
Current limitation reactor BD-*** needed²⁾	1	2	2 x BD100	2 x BD100	2 x BD100

¹⁾ Only for operation with single-phase capacitors. ²⁾ For PFC systems without detuning reactors mandatory.

³⁾ Single-phase, for direct 2-phase switching of capacitive loads (L-N) or (L-L).

Accessories for TSM modules

	BD-050 ¹⁾	BD-050/480 ¹⁾	BD-100	BD-100/480 ¹⁾	BD-200 ²⁾
Ordering code	B44066T0050E400	B44066T0050E480	B44066T0100E400	B44066T0100E480	B44066T0200E400
Nominal voltage	400/440 V	480 V	400/440 V	480 V	400/440 V
Nominal current	50 A	50 A	85 A	85 A	170 A
Frequency	50/60 Hz	50/60 Hz	50/60 Hz	50/60 Hz	50/60 Hz
Dimensions (w x d x h)	56 x 71 x 70 mm	65 x 58 x 82 mm	75 x 75 x 88 mm	75 x 75 x 88 mm	104 x 114 x 125 mm
Weight	approx. 1.5 kg	approx. 1.5 kg	approx. 2 kg	approx. 2 kg	approx. 6 kg

¹⁾ Production only after ordering. ²⁾ Only suitable for TSM-LC100.

Switching Devices – Thyristor Modules for Dynamic PFC, TSM-Series



	TSM-LC100	TSM-LC200	TSM-HV200
	B44066T0100E402	B44066T0200E402	B44066T0200E690
	380 ... 400 V	380 ... 400 V	690 V
	440 V	440 V	690 V
	440 V	440 V	690 V
	400 V	400 V	690 V
	50/60 Hz	50/60 Hz	50/60 Hz
	100 kvar	200 kvar	200 kvar
	Direct connection 4 pole via busbar (cable lug 70 mm ² , D = 10 mm)	Direct connection 4 pole via busbar (cable lug 185 mm ² , D = 12 mm)	Direct connection 4 pole via busbar (cable lug)
	no	no	no
	230 V AC (needed for fan) via terminal clamp	230 V AC	no
	from bottom	from top	from bottom
	Pv (in W) = 2.0 x I (in A); typical 300 W (thermal)	Pv (in W) = 2.0 x I (in A); at 400 V/200 kvar approx. 580 W (thermal)	Pv (in W) = 2.0 x I (in A); at 690 V/ 200 kvar typical 350 W (thermal)
	3 x NH1 (AC 690 V) 250 A	3 x NH2 (AC 690 V) 125 kvar: 315 A 150 kvar: 350 A 200 kvar: 450 A	3 x NH2 (AC 690 V) 100 kvar: 160 A 200 kvar: 250 A
	157 x 240 x 195	250 x 480 x 160	410 x 400 x 250
	5.5 kg	11.5 kg	17 kg
	2 LED	2 LED	6 LED
	-10 °C ... +55 °C	-10 °C ... +55 °C	-10 °C ... +50 °C
	1–2 in parallel	2–4 in parallel	4 – refer to connection diagram in the data sheet
	Standard applications require a special current limitation reactor.	Standard applications require a special current limitation reactor.	only for systems with detuning-reactors

BD-200/480 ²⁾
B44066T0200E480
480 V
170 A
50/60 Hz
104 x 114 x 125 mm
approx. 6 kg

Accessories for TSM modules

Type / Description

Discharge resistors EW-22 at least 1 piece per step to be used for all types of TSM if fast re-switching time is required.¹⁾ For higher rated steps please contact our local sales office.

EW-22:

Dimensions (w x d x h): 90 x 50 x 100 mm

Weight (approx.): 0.3 kg

Design panel: for mounting on heat sink/fitting

Connection: screw terminal, ready for three-phase connection to the capacitor

Ordering code

B44066T0022E400

¹⁾ Consisting of two single resistors of 22 kΩ each



EW-22



BD-100

BD-Series:

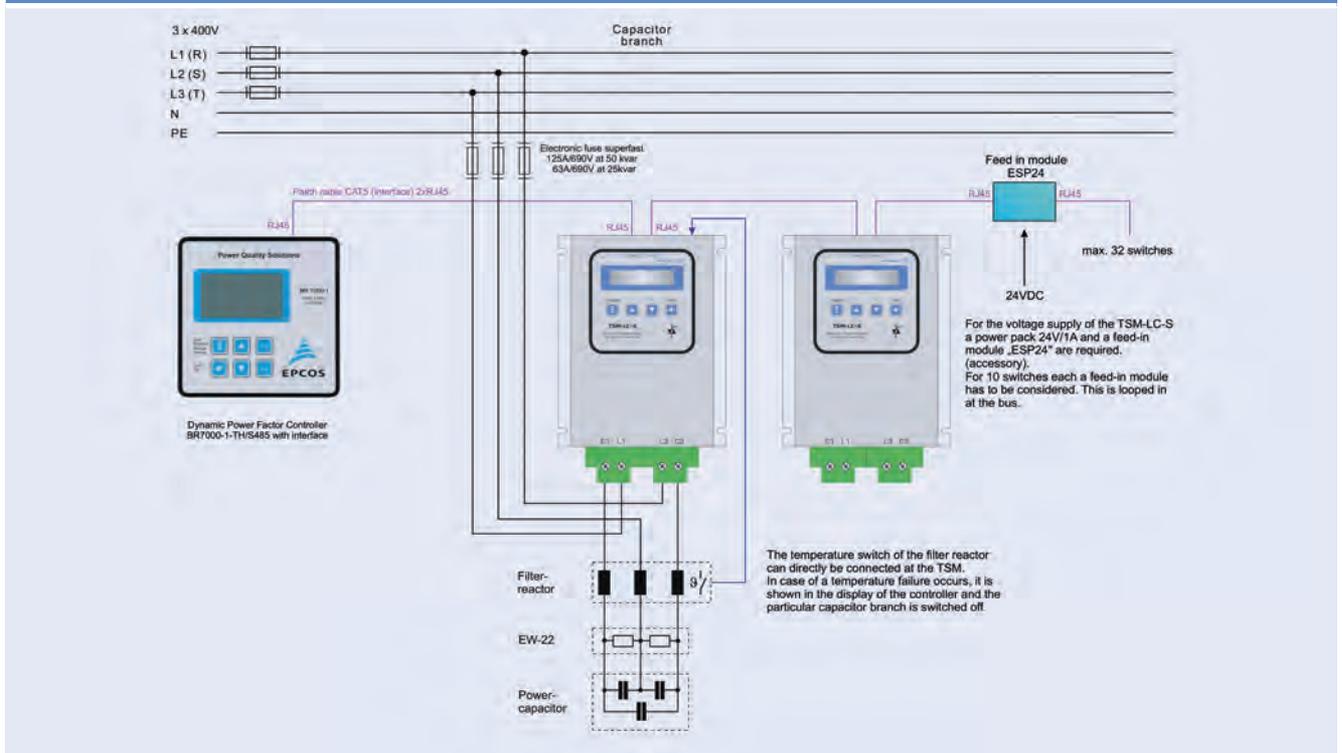
Single phase current limitation reactor for thyristor modules TSM-series in conventional dynamic PFC-systems without reactor

- Used for limitation of the pace of current increase di/dT in the thyristors to the maximum permissible value
- Protection of thyristor modules series TSM-LC

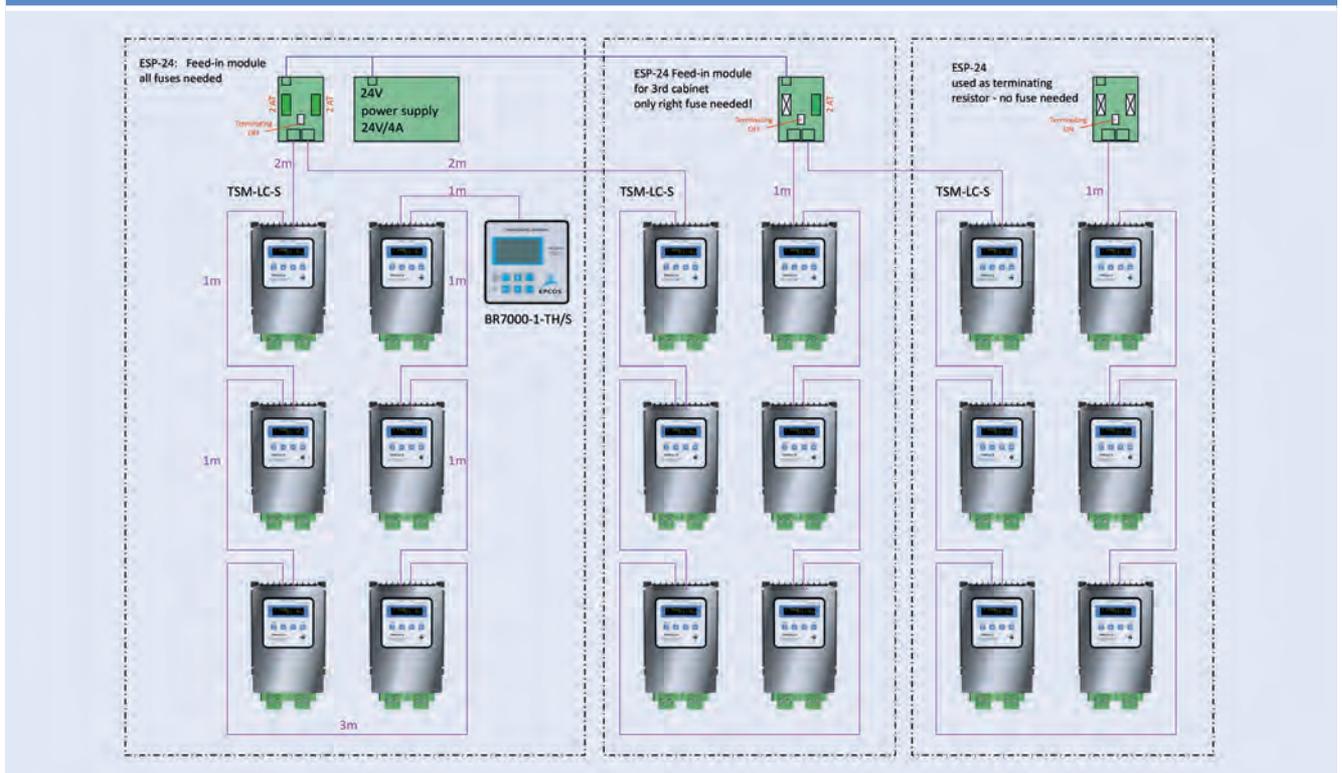
Switching Devices – Thyristor Modules for Dynamic PFC, TSM-Series



Dynamic PFC network with TSM-LC-S



Dynamic PFC network: complete system; easy connection with standard patch-cable



Reactors – Antiresonance Harmonic Filter



General

The increasing use of modern power electronic apparatus (drives, uninterruptible power supplies, etc) produces nonlinear current and thus influences and loads the network with harmonics (line pollution).

The power factor correction or capacitance of the power capacitor forms a resonant circuit in conjunction with the feeding transformer. Experience shows that the self-resonant frequency of this circuit is typically between 250 and 500 Hz, i.e. in the region of the 5th and 7th harmonics.

Such a resonance although can lead to the following undesirable effects:

- overloading of capacitors,
- overloading of transformers and transmission equipment,
- interference with metering and control systems, computers and electrical gear,
- resonance elevation, i.e. amplification of harmonics,
- voltage distortion.

These resonance phenomena can be avoided by connecting capacitors in series with filter reactors in the PFC system. These so called “detuned” PFC systems are scaled

in a way that the self-resonant frequency is below the lowest line harmonic. The detuned PFC system is purely inductive seen by harmonics above this frequency. For the base line frequency (50 or 60 Hz usually), the detuned system on the other hand acts purely capacitive, thus correcting the reactive power.



Applications

- Avoidance of resonance conditions
- Tuned and detuned harmonic filters
- Reduction of harmonic distortion (network clearing)
- Reduction of power losses

Features

- High harmonic loading capability
- Very low losses
- High linearity to avoid choke tilt
- Low noise
- Convenient mounting
- Long expected life time
- Temperature protection (NC contact)

Technical data and limit values

Filter reactors

Harmonics*	$V_3 = 0.5\% V_R$ (duty cycle = 100%) $V_5 = 6.0\% V_R$ (duty cycle = 100%) $V_7 = 5.0\% V_R$ (duty cycle = 100%) $V_{11} = 3.5\% V_R$ (duty cycle = 100%) $V_{13} = 3.0\% V_R$ (duty cycle = 100%)
Effective current	$I_{rms} = \sqrt{I_1^2 + I_3^2 + \dots + I_{13}^2}$
Fundamental current	$I_1 = 1.06 \cdot I_R$ (50 Hz or 60 Hz current of capacitor)
Temperature protection	microswitch (NC)
Dimensional drawings and terminals	see specific datasheets

Three-phase filter reactors to VDE 0532 / EN 60289

Frequency	50 Hz or 60 Hz
Voltage	400, 440
Output	10 ... 100 kvar
Detuning	5.67%, 7%, 14%
Cooling	natural
Ambient temperature	+40 °C
Class of protection	I
Enclosure	IP00

* According to DIN ENV VV61000-2-2

Reactors – Antiresonance Harmonic Filter



Characteristics							
Power	Δ capacitance	Inductance	I_{rms} (I_{eff})	Losses ¹⁾	Weight	Terminal	Ordering code
kvar	3 · μ F	mH	A	W	kg		
Rated voltage V = 400 V, f = 50 Hz, p = 5.67% (f_r = 210 Hz) / Linearity: L ≥ 0.95 · L_R for current up to 2.08 · I₁							
10	62	3.06	18.5	95	6.4	10 mm ² Kl.	B44066D5010*400
12.5	78	2.45	23.0	120	8.4	10 mm ² Kl.	B44066D5012*400
20	125	1.53	36.9	100	13	16 mm ² Kl.	B44066D5020*400
25	156	1.23	46.1	135	17	16 mm ² Kl.	B44066D5025*400
40	250	0.77	73.7	150	23	M6 Al-flat	B44066D5040*400
50	312	0.61	92.1	240	31	M6 Al-flat	B44066D5050*400
75	496	0.41	138.2	260	35	M8 Al-flat	B44066D5075*400
100	625	0.31	183.8	360	47	M8 Al-flat	B44066D5100*400
Rated voltage V = 400 V, f = 50 Hz, p = 7% (f_r = 189 Hz) / Linearity: L ≥ 0.95 · L_R for current up to 1.73 · I₁							
10	61	3.84	16.4	70	5.9	10 mm ² Kl.	B44066D7010*400
12.5	77	3.01	20.5	75	8.6	10 mm ² Kl.	B44066D7012*400
20	123	1.92	32.7	120	18	Cu bars Ø 9 mm	B44066D7020*400
25	154	1.53	40.9	180	18	Cu bars Ø 9 mm	B44066D7025*400
40	246	0.96	65.4	230	26	Cu bars Ø 9 mm	B44066D7040*400
50	308	0.77	81.8	270	27	Cu bars Ø 9 mm	B44066D7050*400
75	462	0.51	122.7	330	39	Cu bars Ø 9 mm	B44066D7075*400
100	617	0.38	163.3	390	50	Cu bars Ø 11 mm	B44066D7100*400
Rated voltage V = 400 V, f = 50 Hz, p = 14% (f_r = 135 Hz) / Linearity: L ≥ 0.95 · L_R for current up to 1.37 · I₁							
10	57	8.29	15.4	80	9.4	10 mm ² Kl.	B44066D1410*400
12.5	71	6.64	19.2	95	12	10 mm ² Kl.	B44066D1412*400
20	114	4.15	30.8	150	22	Cu bars Ø 9 mm	B44066D1420*400
25	142	3.32	38.5	200	26	Cu bars Ø 9 mm	B44066D1425*400
40	228	2.07	61.6	270	38	Cu bars Ø 9 mm	B44066D1440*400
50	285	1.66	77	290	40	Cu bars Ø 9 mm	B44066D1450*400
75	427	1.11	115.5	380	58	Cu bars Ø 9 mm	B44066D1475*400
100	570	0.83	153.9	470	66	Cu bars Ø 11 mm	B44066D1499*400
Rated voltage V = 440 V, f = 50 Hz, p = 5.67% (f_r = 210 Hz) / Linearity: L ≥ 0.95 · L_R for current up to 2.08 · I₁							
10	51	3.71	16.8	100	7	10 mm ² Kl.	B44066D5010*440
12.5	64	2.97	21.0	120	9	10 mm ² Kl.	B44066D5012*440
25	129	1.48	42.0	110	16.5	16 mm ² Kl.	B44066D5025*440
50	258	0.74	83.8	200	25	M6 Al-flat	B44066D5050*440
75	387	0.49	125.6	370	36	M8 Al-flat	B44066D5075*440
100	517	0.37	168.0	320	50	M8 Al-flat	B44066D5100*440

¹⁾ Total max. losses, considering max. specified overvoltage and harmonic currents

* EPCOS offers reactors with slightly different specifications (e.g. dimensions) that can be used for the same application although sometimes with slightly different resulting performances. These types are distinguished by different letters at digit 12 of the product code. Thus this digit is not specified here.

Other voltages upon request

Reactors – Antiresonance Harmonic Filter



Characteristics

Power kvar	Δ capacitance $3 \cdot \mu\text{F}$	Inductance mH	I_{rms} (I_{eff}) A	Losses ¹⁾ W	Weight kg	Terminal	Ordering code
Rated voltage $V = 440 \text{ V}$, $f = 50 \text{ Hz}$, $p = 7\%$ ($f_r = 189 \text{ Hz}$) / Linearity: $L \geq 0.95 \cdot L_R$ for current up to $1.73 \cdot I_1$							
10	50	4.64	14.9	70	6.5	10 mm ² Kl.	B44066D7010*440
12.5	63	3.71	18.7	65	8.5	10 mm ² Kl.	B44066D7012*440
25	127	1.87	37.2	170	18	Cu bars \varnothing 9 mm	B44066D7025*440
50	254	0.93	74.3	250	33	Cu bars \varnothing 9 mm	B44066D7050*440
75	382	0.62	111.4	340	43	Cu bars \varnothing 9 mm	B44066D7075*440
100	509	0.46	148.7	410	49	Cu bars \varnothing 9 mm	B44066D7100*440
Rated voltage $V = 440 \text{ V}$, $f = 50 \text{ Hz}$, $p = 14\%$ ($f_r = 135 \text{ Hz}$) / Linearity: $L \geq 0.95 \cdot L_R$ for current up to $1.37 \cdot I_1$							
10	47	10.04	14.0	90	10	10 mm ² Kl.	B44066D1410*440
12.5	58	8.03	17.5	100	13	10 mm ² Kl.	B44066D1412*440
25	117	4.02	35.0	160	27	Cu bars \varnothing 9 mm	B44066D1425*440
50	235	2.01	70.0	300	40	Cu bars \varnothing 9 mm	B44066D1450*440
75	353	1.34	105.0	440	53	Cu bars \varnothing 9 mm	B44066D1475*440
100	471	1.00	140.0	490	65	Cu bars \varnothing 9 mm	B44066D1499*440
Rated voltage $V = 440 \text{ V}$, $f = 60 \text{ Hz}$, $p = 5.67\%$ ($f_r = 252 \text{ Hz}$) / Linearity: $L \geq 0.95 \cdot L_R$ for current up to $2.08 \cdot I_1$							
25	107	1.24	42.0	140	16	16 mm ² Kl.	B44066D5025*441
50	215	0.62	83.8	210	25	M6 Al-flat	B44066D5050*441
75	323	0.41	126.0	340	33	M8 Al-flat	B44066D5075*441
100	431	0.31	167.4	310	47	M8 Al-flat	B44066D5100*441
Rated voltage $V = 440 \text{ V}$, $f = 60 \text{ Hz}$, $p = 7\%$ ($f_r = 227 \text{ Hz}$) / Linearity: $L \geq 0.95 \cdot L_R$ for current up to $1.73 \cdot I_1$							
25	106	1.55	37.2	130	18	Cu bars \varnothing 9 mm	B44066D7025*441
50	212	0.77	74.4	250	27	Cu bars \varnothing 9 mm	B44066D7050*441
75	318	0.52	111.4	320	39	Cu bars \varnothing 9 mm	B44066D7075*441
100	424	0.39	148.6	380	44	Cu bars \varnothing 9 mm	B44066D7100*441
Rated voltage $V = 440 \text{ V}$, $f = 60 \text{ Hz}$, $p = 14\%$ ($f_r = 162 \text{ Hz}$) / Linearity: $L \geq 0.95 \cdot L_R$ for current up to $1.37 \cdot I_1$							
25	98	3.35	34.8	180	22	Cu bars \varnothing 9 mm	B44066D1425*441
50	196	1.67	69.5	290	34	Cu bars \varnothing 9 mm	B44066D1450*441
75	294	1.12	104.3	380	45	Cu bars \varnothing 9 mm	B44066D1475*441
100	392	0.84	139.1	480	54	Cu bars \varnothing 9 mm	B44066D1499*441

¹⁾ Total max. losses, considering max. specified overvoltage and harmonic currents

* EPCOS offers reactors with slightly different specifications (e.g. dimensions) that can be used for the same application although sometimes with slightly different resulting performances. These types are distinguished by different letters at digit 12 of the product code. Thus this digit is not specified here.

Other voltages upon request

Discharge Reactor

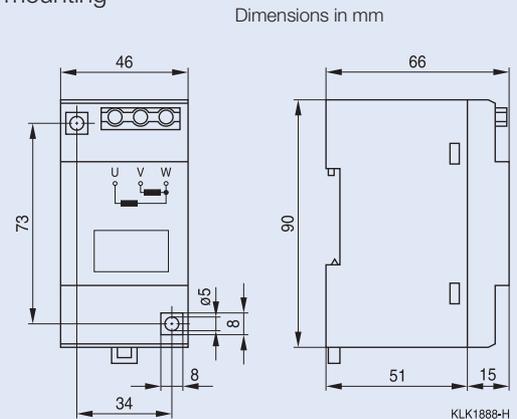


General

The losses of discharge reactors are substantially lower than those of discharging resistors. They satisfy the requirement for permanently connected discharging device and for a discharge time of a few seconds. Fast discharging allows a fast re-switching in automatic PFC equipment. However, max. 5000 switching operations (according to IEC 60831) should not be exceeded.

Features and dimensional drawings

- Fast discharge for fast reconnection of capacitors
- Reduced losses
- Shockproof case for DIN rail mounting



Technical data

Ordering code		B44066E9900L001
Voltage	V_R	230 ... 690 V
Frequency	f	50 / 60 Hz
Internal configuration		2 windings in V arrangement
Resistance	R	7.5 k Ω
Discharge time	t	230 V up to 25 kvar < 10 s / up to 50 kvar < 20 s / up to 100 kvar < 40 s 400 ... 525 V up to 25 kvar < 5 s / up to 50 kvar < 10 s / up to 100 kvar < 20 s 525 ... 690 V up to 25 kvar < 3 s / up to 50 kvar < 6 s / up to 100 kvar < 12 s
Power loss	P_{Loss}	< 1.6 W
Free-wheeling current	I	< 3.4 mA
Accepted discharge number		1 x / minute and 100 kvar
Insulation class	R_{INS}	Ta = +40 °C/B
Cable diameter	\varnothing	0.75 ... 2 x 2.5 mm ²
Terminals		fixing torque 0.5 Nm
Installation location		indoor
Ambient temperature		-25 ... +55 °C
Cooling		natural
Dimensions	h x w x d	90 x 46 x 66 mm
Weight		0.5 kg

PQSine

Active Harmonic Filter and Power Optimizer



General

The PQSine series is an active harmonic filter system designed to eliminate harmonic oscillations and consequently reduce costs. PQSine monitors the current signal and compensates the unwanted elements of the measured current. Thus, the filter ensures harmonic suppression independently of the

number of loads. It also corrects the power factor and load balancing, improving the system efficiency while reducing harmonic pollution.



Features

- Harmonic compensation up to 50th harmonic (selectable)
- Flicker compensation
- Ultra-fast reactive power compensation (inductive and capacitive)
- Load balancing between phases and unloaded neutral wire
- Compact design
- Modular system extendable from 60 A to 600 A
- Grid resonance detection
- Advanced digital control with SDC (Selective Direct Control) algorithm
- Ethernet and Ethercat system for interconnection
- User-friendly menu operation
- High performance and reliability
- Insensitive to network conditions
- Simple installation

Applications

- Fast current harmonics and reactive power suppression e.g. for:
- Data centers
 - UPS systems
 - Green power generation (e.g. photovoltaics and wind turbines)
 - Sensitive equipment manufacturing (e.g. silicon wafer production, semiconductor production)
 - Industrial production machines
 - Electrical welding systems
 - Plastic industry machinery (extruders, injection molders)
 - Office buildings and shopping centers (3rd and triple harmonic cancellation and neutral conductor unloading)

Safety features

- Highest safety and reliability
- Overload protection
- Internal short-circuit protection
- Overheating protection
- Overvoltage and undervoltage protection
- Inverter bridge protection
- Resonance protection
- Fan fault alarm

PQSine Active Harmonic Filter and Power Optimizer



Active harmonic filter

Figure 1: Principle of an active filter

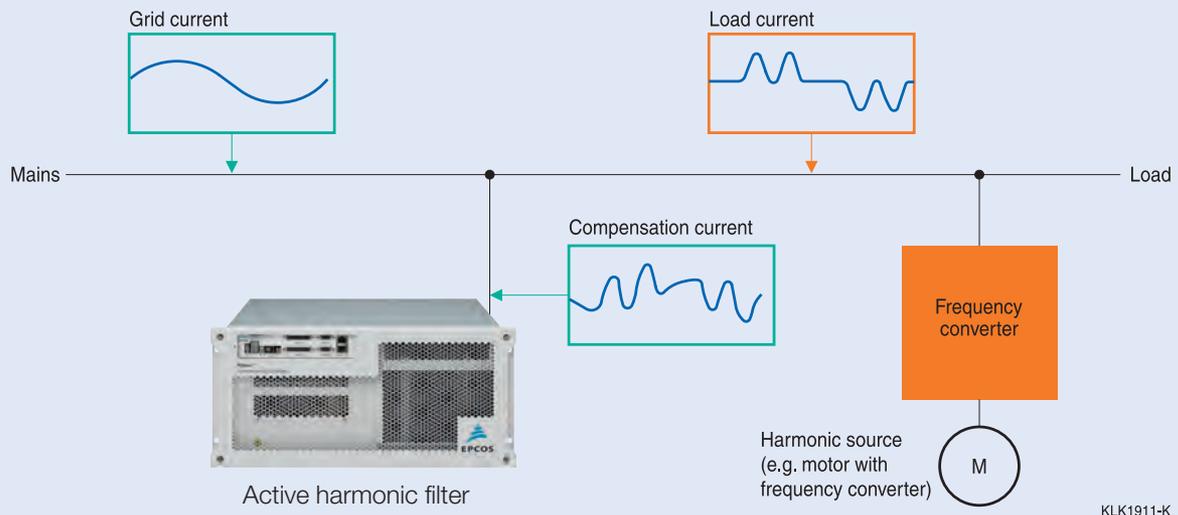


Figure 2: Total harmonic current distortion without active filter

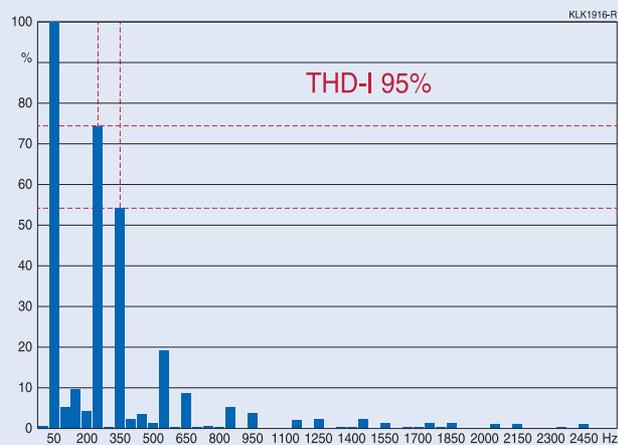
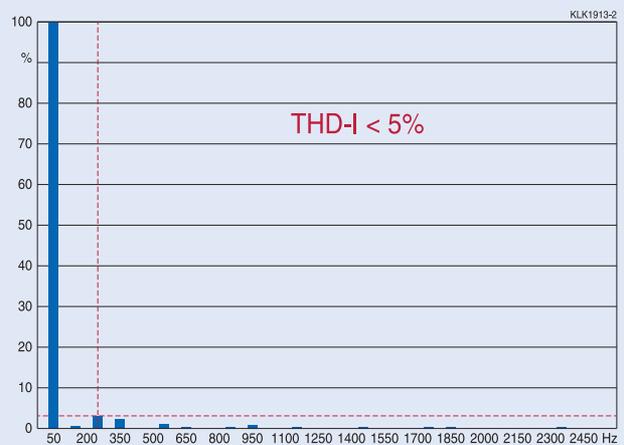


Figure 3: Total harmonic current distortion with activated active filter



PQSine

Active Harmonic Filter and Power Optimizer



Technical data					
System input / number of phases	3-phase / 3-wire; 3-phase / 4-wire				
Rate of harmonic reduction	Up to 99%				
Network configuration	TT, TN				
Phase compensation current	60 A	120 A	180 A	240 A	300 A
Neutral lead compensation current¹⁾	180 A	360 A	540 A	720 A	900 A
Input voltage (min. / max.)	3P3W device: 200 V ... 480 V ($\pm 10\%$) 3P4W device: 200 V ... 415 V ($\pm 10\%$)				
Inverter technology	Three-level NPC topology, IGBT				
Frequency	50/60 Hz ± 3 Hz				
Reaction time	21 μ s (immediate load change reaction)				
Steady state response time	< 300 μ s (steady state response time to full steady state compensation)				
Switching frequency	24 kHz				
Control frequency	48 kHz				
Harmonic compensation	Up to 50 th harmonic, selectable				
Power factor correction	Fully inductive and capacitive current compensation from 0 ... 100%				
Weight of a single 60 A module	51 kg 3P3W, 52 kg 3P4W				
Dimensions of a single 60 A module	482 x 678 x 222 mm (w x d x h)				
Current transformer	Source or load-side selectable, primary current range 100 A ... 3500 A, secondary current 1 A, class 1 or better				
Overload current (peak value for 10 ms)	150 A @cf 2.5	300 A @cf 2.5	450 A @cf 2.5	600 A @cf 2.5	750 A @cf 2.5
Typical power losses	Max. 15 W/A	Max. 15 W/A	Max. 15 W/A	Max. 15 W/A	Max. 15 W/A
Cabinet mounting	Wall ²⁾	Wall ²⁾	Floor	Floor	Floor
Weight including cabinet	96 kg	160 kg	413 kg	474 kg	535 kg
Dimensions including cabinet	504 x 291 x 979	504 x 516 x 979	600 x 822 x 2094	600 x 822 x 2094	600 x 822 x 2094
Air flow rate	470 m ³ /h	940 m ³ /h	1410 m ³ /h	1880 m ³ /h	2350 m ³ /h
Interface	Ethercat 100 Mbit/s, USB, active sensor bus, display bus, Modbus TCP/IP				
Ambient temperature	-10 ... +40 °C full performance, up to +55 °C derating 2%/K				
Protection class	IP20 for module and wall mounted panels, IP33 for floor mounted panels, IP54 for floor-mounted panels is optionally available on request				
Panel color	RAL7035				
Humidity	95% non-condensing				
Self-protection	Yes				
Overheating protection	Yes				
Overvoltage and undervoltage protection	Yes				
Noise level	< 56 dB up to < 69 dB (depending on model and load conditions)				
Altitude	Max. 4000 m (1% power derating for each additional 100 m, between 2000 m and 4000 m)				
Standards / recommendations specifying limits for harmonics in networks or units	IEC 61000-2-2, IEC 61000-2-4, IEC 61000-3-2, IEC 61000-3-12, IEC 61000-3-3, EN 50160, TOR D2, IEEE 519-1992, G5/4 and D.A.CH.CZ				
Design standards	EN 50178, EN 61439-1, EN 61439-2, EN 61000-6-2, EN 61000-6-4, EN 55011				

¹⁾ In the case of a 3P4W device

²⁾ Floor-mounting upon request

PQSine

Active Harmonic Filter and Power Optimizer



Modular system – up to 300 A in one cabinet

The state-of-the-art modular design of the PQSine series offers the advantage of being prepared for future filter power requirements: the slots in each cabinet are ready to receive up to 5 PQSine modules.



PQSine – 60 A

Consisting of:

- 1 60 A PQSine module
- 1 SU current transformer sensor unit
- 1 LCD touch screen 7" control / display unit

PQSine – 120 A

Consisting of:

- 2 60 A PQSine modules
- 1 SU current transformer sensor unit
- 1 LCD touch screen 7" control / display unit

PQSine – 180 A

Consisting of:

- 3 60 A PQSine modules
- 1 SU current transformer sensor unit
- 1 LCD touch screen 7" control / display unit

PQSine – 240 A

Consisting of:

- 4 60 A PQSine modules
- 1 SU current transformer sensor unit
- 1 LCD touch screen 7" control / display unit

PQSine – 300 A

Consisting of:

- 5 60 A PQSine modules
- 1 SU current transformer sensor unit
- 1 LCD touch screen 7" control / display unit

PQSine

Active Harmonic Filter and Power Optimizer



Active filter module (60 A)



60 A PQSine module front side

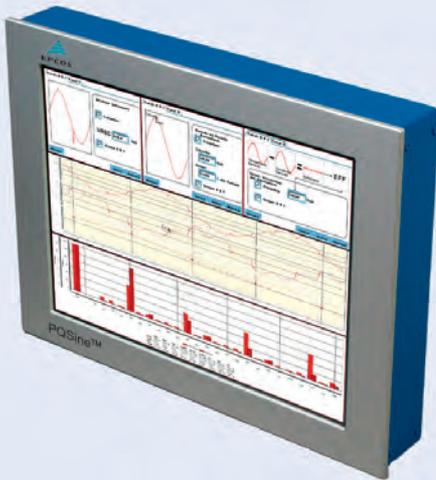


60 A PQSine module rear side: fork-plug spring connectors for fast, reliable and easy connection to the busbars of the cabinet

- Standardized 60 A active filter modules
- Three-phase 4-wire (3P4W) version for neutral current correction or three-phase 3-wire (3P3W) version for correction of phase currents only
- Floating-point 32 bit DSP, FPGA (integrated)
- Switching / control frequency 24/48 kHz
- Reaction time: 21 μ s
- Selective direct control algorithm¹⁾ (no internal FFT algorithm needed)
- Compensation up to 50th harmonic (individually selectable)
- Individually selectable degree of harmonic reduction
- Simple electrical connection of power and control wiring

¹⁾ Patent pending

TFT color control / display touch screen unit (7"/12.1")



- For mounting in the panel front
- Protection class: IP65
- LED backlight
- Intensity: 450 cd/m²
- Input: touch screen 4-wire resistive
- For parameter setting, status indication, alarm setting, monitoring, event logging
- Operating system: embedded Linux
- Communication: Ethercat Master, Ethernet TCP/IP
- Interface: USB, 3x opto-insulated input, 2-relay output display bus
- Operating temperature: -20 ... + 55 °C
- Firmware update via SD card possible
- Dimensions (W x H x D): 230 x 168 x 56 mm (7"); 340 x 270 x 53 mm (12.1")
- Weight: 1 kg (7"); 2 kg (12.1")

PQSine

Active Harmonic Filter and Power Optimizer



SU active sensor unit



- Interface for active sensor bus
- Connection box for external current sensors
- Module requirement (max. 5 modules per unit)
- Source or load-side selectable, primary current range 100 A to 3500 A, secondary current 1 A

TFT color control / display touch screen unit in rugged equipment case (7"/12.1")



- Needed for parameterization of PQSine modules ordered without the 7"/12.1" TFT color control / display touch screen unit, for instance.

PQSine

Active Harmonic Filter and Power Optimizer

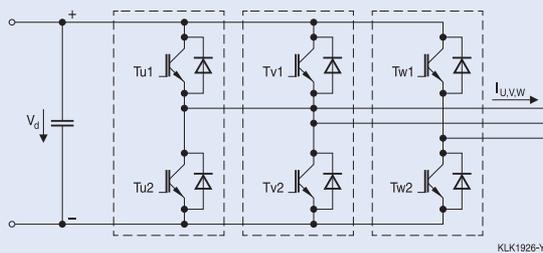


Advantages of PQSine three-level NPC topology

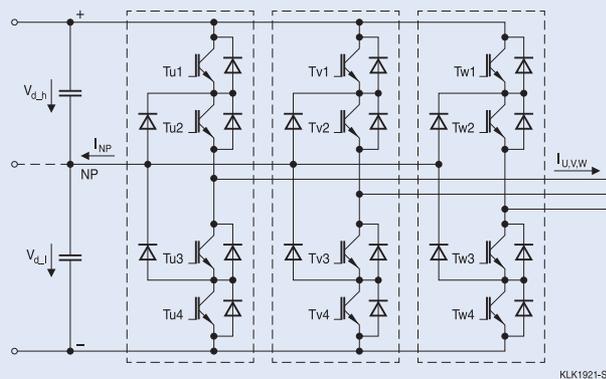
The PQSine range operates on the basis of a three-level Neutral-Point-Clamped (NPC) topology circuit. As can be seen from the diagrams below, the conventional two-level circuit configuration consists of 6 IGBTs (two IGBT power devices in each phase leg and current path). In case of a three-level topology, the circuit configuration consists of 12 IGBTs (four IGBT power devices in each phase leg and current path).

The three-level NPC circuit can produce three voltage levels at the output: the DC bus plus voltage, zero voltage and DC bus negative voltage. The two-level topology can only connect the output to either the plus bus or the negative bus. It also ensures higher quality and better harmonics of the line-to-line output voltage, thus reducing the output filter requirement and the associated costs.

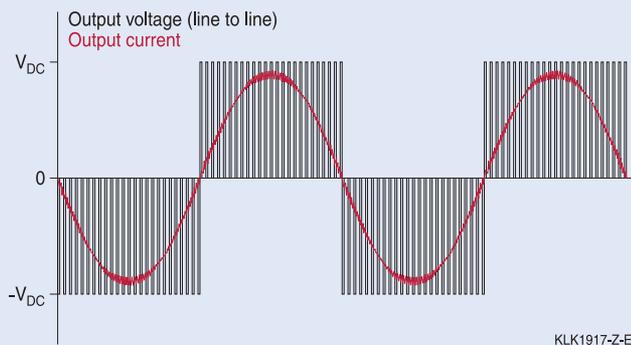
Two-level topology circuit:



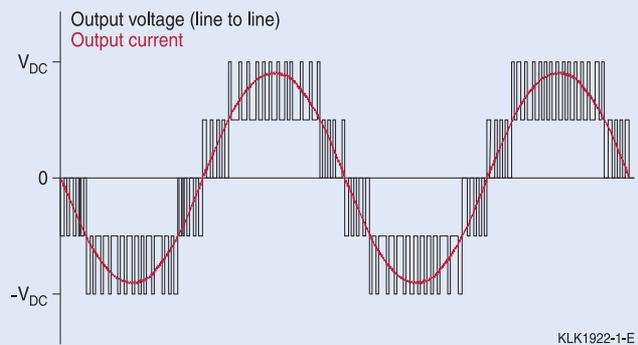
Three-level NPC topology circuit:



Current and switched output voltage for a two-level topology:



Current and switched output voltage for a three-level NPC topology:



Main advantages of the three-level NPC topology are:

- Lower losses: only half of the voltage has to be switched, thus reducing the switching losses in the transistor. Three-level solutions are characterized by reduced circuit losses and higher efficiency, thus supporting energy-saving concepts.
- Smaller output current ripple: the NPC three-level topology has a lower ripple in the output current and half of the output voltage transient thanks to a higher quality output voltage. This improves performance and reduces the internal filter requirement.

PQSine

Active Harmonic Filter and Power Optimizer



400 V PQSine series							
Type	Rated filter current A	System min./max. voltage V	Mounting variant	Approx. weight kg	Approx. dimensions (w x d x h) mm	Ordering code	
3P4W systems¹⁾							
PQSW4060N344	60	180	460	Wall-mounted	97	504 x 291 x 979	B44066F4060N344
PQSW4120N344	120	180	460	Wall-mounted	161	504 x 516 x 979	B44066F4120N344
PQSF4180N315	180	180	460	Floor-mounted	431	600 x 822 x 2094	B44066F4180N315
PQSF4240N315	240	180	460	Floor-mounted	483	600 x 822 x 2094	B44066F4240N315
PQSF4300N315	300	180	460	Floor-mounted	535	600 x 822 x 2094	B44066F4300N315
PQSF4420N315	420	180	460	Floor-mounted	914	2x 600 x 822 x 2094	B44066F4420N315
PQSF4540N315	540	180	460	Floor-mounted	1098	2x 600 x 822 x 2094	B44066F4540N315
PQSF4600N315	600	180	460	Floor-mounted	1070	2x 600 x 822 x 2094	B44066F4600N315
3P3W systems¹⁾							
PQSW3060N344	60	180	528	Wall-mounted	96	504 x 291 x 979	B44066F3060N344
PQSW3120N344	120	180	528	Wall-mounted	159	504 x 516 x 979	B44066F3120N344
PQSF3180N315	180	180	528	Floor-mounted	428	600 x 822 x 2094	B44066F3180N315
PQSF3240N315	240	180	528	Floor-mounted	479	600 x 822 x 2094	B44066F3240N315
PQSF3300N315	300	180	528	Floor-mounted	530	600 x 822 x 2094	B44066F3300N315
PQSF3420N315	420	180	528	Floor-mounted	907	2x 600 x 822 x 2094	B44066F3420N315
PQSF3540N315	540	180	528	Floor-mounted	1009	2x 600 x 822 x 2094	B44066F3540N315
PQSF3600N315	600	180	528	Floor-mounted	1060	2x 600 x 822 x 2094	B44066F3600N315

¹⁾ All systems include a 7" TFT color control / display unit (touch screen) and the SU sensor unit box. External current transformers are not included.

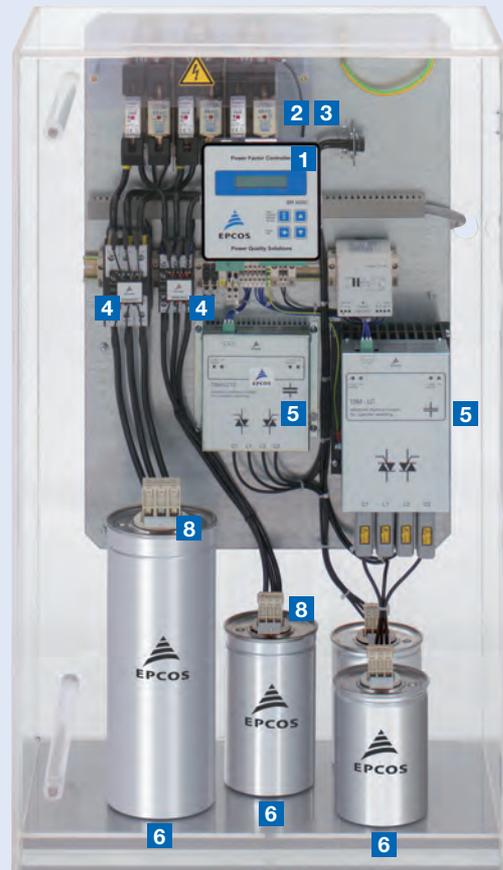
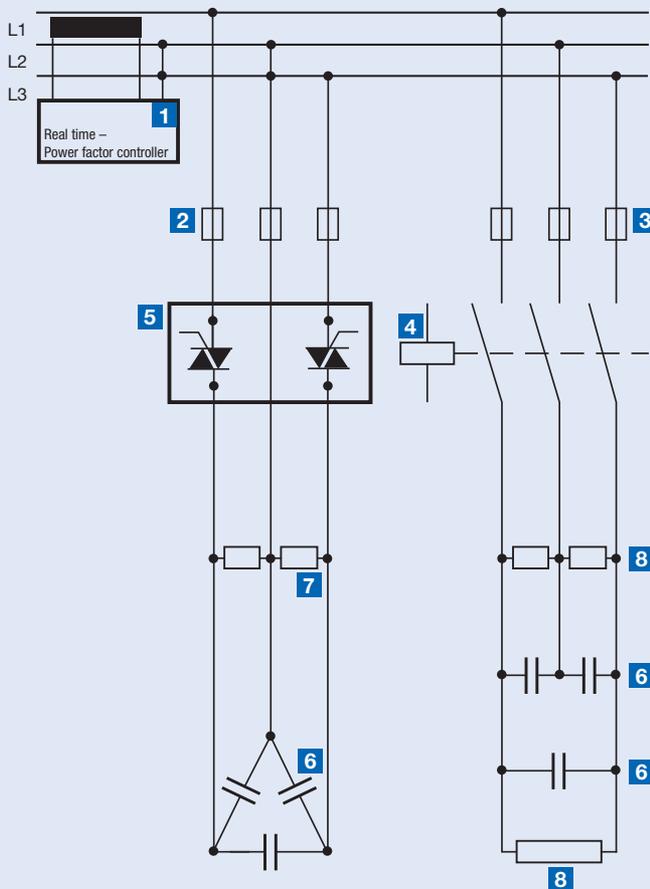
400 V PQSine series							
Type	Rated filter current A	System rated min./max. voltage V	Filter model	Approx. weight kg	Approx. dimensions (w x d x h) mm	Ordering code	
Modules							
PQSM4060N300	60	180	460	3P4W	52	482 x 678 x 222	B44066F4060N300
PQSM3060N300	60	180	528	3P3W	51	482 x 678 x 222	B44066F3060N300

400 V PQSine series	
Accessories	
Product description	Ordering code
SU sensor unit: connection box for external current sensors (needed for the modules, max. 5 modules per unit)	B44066F8888N230
7" TFT color control / display unit, touch screen	B44066F9007N230
12.1" TFT color control / display unit, touch screen	B44066F9012N230
7" TFT portable and rugged equipment case (for parameterization of the PQSine modules without display, including power supply)	B44066F9907N230
12.1" TFT portable and rugged equipment case (for parameterization of the PQSine modules without display, including power supply)	B44066F9912N230

Other types/designs upon request

Fundamentals of Power Factor Correction

Application example



- | | | | |
|----------------------------------|------------------------------|-----------------------------|---------------------------------------|
| 1 Power factor controller | 2 Semiconductor fuses | 3 Fuses | 4 Contactor |
| 5 Thyristor module | 6 Capacitor | 7 Discharge resistor | 8 Discharge resistor (plug in) |

The rational use of electrical energy calls for economical generation, transmission and distribution with little losses. That means restricting all factors in electrical networks that cause losses. One of these factors is lagging reactive power. Loads in industrial and public power grids are primarily of an ohmic-inductive nature. The purpose of systems for power factor correction in networks is to compensate the generated lagging reactive power by leading reactive power at defined nodes. This also serves to avoid impermissibly high voltage drops and additional ohmic losses. The necessary leading power is produced by capacitors parallel to the supply network, as close as possible to the inductive load. Static capacitive compensation devices

reduce the lagging reactive power component transmitted over the network. If grid conditions change, the required leading reactive power can be matched in steps by adding or taking out single power capacitors (automatic PFC) to compensate the lagging reactive power.

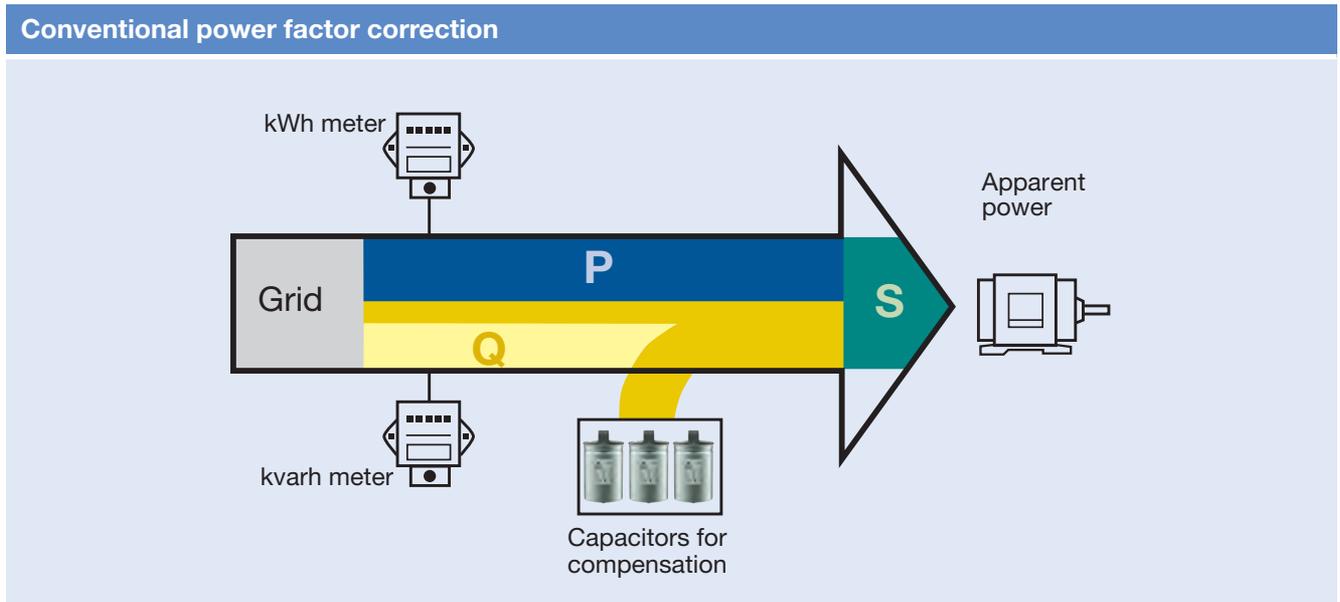
Benefits of power factor correction

- Fast return on investment through lower power costs
 - Power factor correction reduces the reactive power in a system.
 - Power consumption and thus power costs drop in proportion.
- Effective use of installation
 - An improved power factor means

that an electrical installation operates more economically (higher effective power for the same apparent power).

- Improved voltage quality
- Reduced voltage drops
- Optimum cable design
 - Cable cross-sections can be reduced with improvement of power factor (less current). In existing installations for instance, extra or higher power can be transmitted.
- Reduced transmission losses
 - The transmission and switching devices carry less current, i.e. only the effective power, meaning that the ohmic losses in the leads are reduced.

Components for Power Factor Correction



1. Capacitor

Power factor correction (PFC) capacitors produce the necessary leading reactive power to compensate the lagging reactive power. They should be capable of withstanding high inrush currents caused by switching operations ($>100 \cdot I_R$). If they are connected in parallel, i.e. as banks, the inrush current will increase ($\geq 150 \cdot I_R$) because the charging current comes from the power line as well as from other capacitors connected in parallel.

Design of capacitors

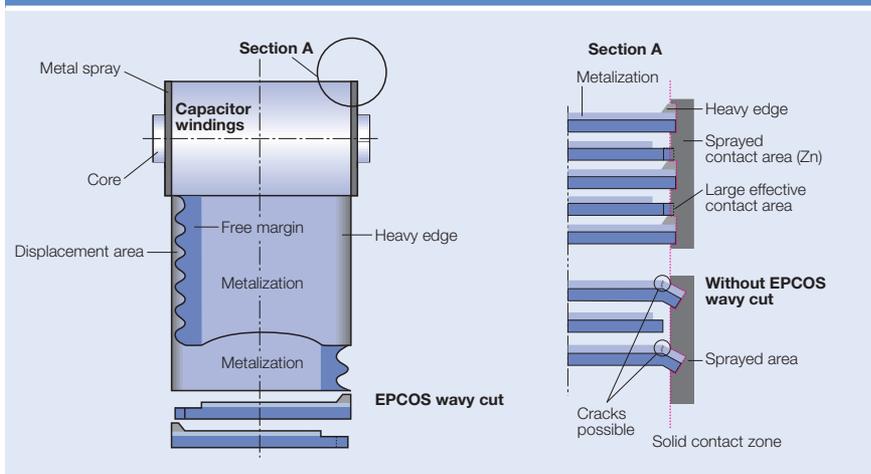
MKK/MKP/MKD technology

Metalized plastic compact capacitors with self-healing properties and a polypropylene dielectric. Film metalization with zinc/aluminum alloy results in high performance and a low film thickness allowing significantly more compact dimensions and a lower weight.

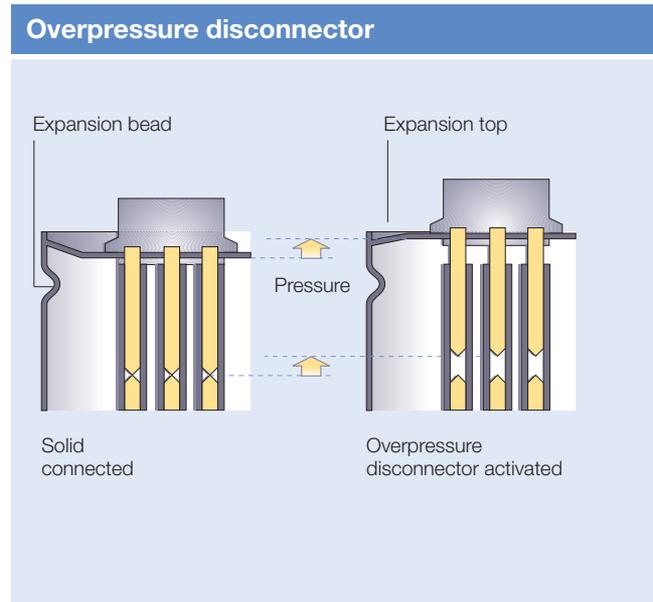
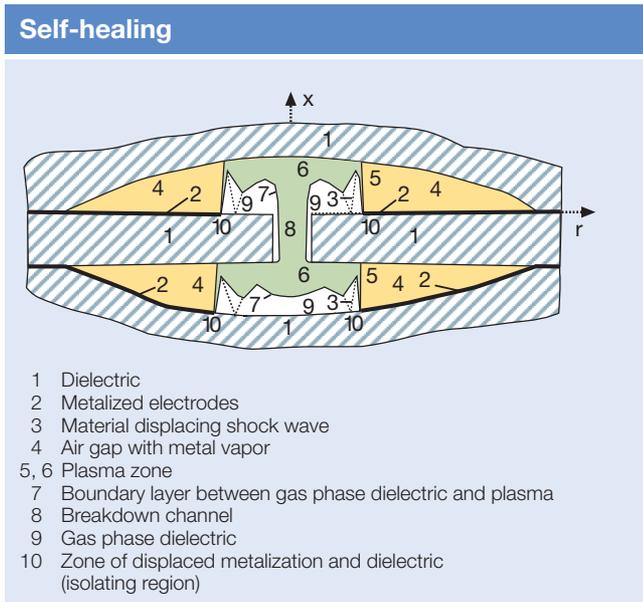
A heavy edge and special film-cutting technique (optimized combination of wavy and smooth cuts) produces a maximum effective surface for the metal spraying or contacting process.

- Series PhaseCap Energy – with gas impregnation (dry technology) or with semi-dry biodegradable soft resin.
- Series PhaseCap and PhaseCap HD dry technology – impregnation with an inert gas (nitrogen N₂).
- Series PhaseCap Compact – semi-dry biodegradable resin.
- Series DeltaCap – impregnation with semi-dry biodegradable soft resin.
- Series PhiCap – impregnation with semi-dry biodegradable soft resin.

Wavy cut design



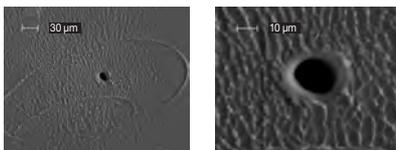
Components for Power Factor Correction



Safety

Self-healing properties

In the event of thermal or electrical overload, an electric breakdown occurs. The dielectric in the breakdown channel is broken down into highly compressed plasma that explodes out of the breakdown channel and pushes the dielectric layers apart. The discharge continues within the spreading plasma via the metal layers so that the metal surrounding the faulty area is completely burnt out. This produces perfect isolation of the faulty area within microseconds. The self-healing process results in negligible capacitance loss – less than 100 pF per event. The capacitor remains fully functional during the entire process.



Overpressure disconnector

At the end of the capacitor's service life or when a high pressure forms inside the can, the overpressure disconnector is activated.

The specially designed cover with an expansion bead moves upwards. Expansion beyond a certain degree will separate the wires and disconnect the capacitor safely from the line. The disconnector is separated at its break point (small notch) and the flow of current to the capacitor windings is interrupted.

⚠ Caution:

To ensure full functionality of an overpressure disconnector, the following is required:

1. The elastic elements must not be hindered, i.e.
 - connecting lines must be flexible leads (cables),
 - there must be sufficient space (at least 20 mm) for expansion above the connections (specified for the different models),
 - folding beads must not be retained by clamps.
2. The maximum permissible fault current of 10 000 A to the UL 810 standard must not be exceeded.
3. Stress parameters of the capacitor must be within the IEC 60831 specification.

Dry technology/ vacuum impregnation

The active winding elements are heated and then dried for a defined period. Impregnation is performed under vacuum. In this way, air and moisture are extracted from the inner capacitor, and oxidation of the electrodes as well as partial discharges are avoided. Afterwards, the capacitor elements are hermetically sealed in cases (e.g. aluminum). This elaborate process ensures excellent capacitance stability and long useful life.

2. Power factor controller

Modern PF controllers are microprocessor-based. The microprocessor analyzes the signal from a current transformer and produces switching commands to control the contactors that add or remove capacitor stages. Intelligent control by microprocessor-based PF controllers ensures even utilization of capacitor stages, a minimized number of switching operations and an optimized life cycle of the capacitor bank.

After the required capacitor output has been determined, the number of steps should be defined. The broad product range of controllers from EPCOS allows customized solutions: the BR604 is suited to small PFC systems with four steps. The BR6000 series is avail-

Components for Power Factor Correction

able for conventional, dynamic and mixed compensation with six and twelve steps for medium and large systems respectively; BR6000-T6 for dynamic compensation with 6 steps.

The PF controller BR7000 with its 15 outputs offers a broad range of applications, e.g. 15 conventional steps (each for one three-phase capacitor), 15 steps for single-phase capacitors or mixed operation (see page 56).

Version BR7000-T with 15 transistor outputs is suitable for dynamic PFC. Series BR7000-I is designed for single-phase controlling.

BR7000-I/TH and BR7000-I/TH/S485 are designed for dynamic and mixed systems, each with 12 relays and 12 transistor outputs.

Rule of thumb: the number of steps depends on the number of loads, i.e. the more small inductive loads, the higher the number of steps should be. The switching time is also of major importance here: the more frequently a capacitor is switched, the more stress is placed on it and its contactors.

3. Multi measuring device

An external meter combining several features in a single device. Combined with the appropriate PF controller, it allows the monitoring, display and storage of various grid parameters. It provides additional protection for the capacitor and the PFC system. As a standalone solution, it acts as a meter, a signal trigger for thyristor modules or as a switch.

4. MC7000-3 grid analyzer

Offering three-phase measuring, display and storage of electric parameters in LV-grids, the MC7000-3, housed in a light-weight suitcase, is the optimum grid analysis tool for evaluation of new PFC-system-design or inspection of existing ones. A variety of accessories that come along with the device such as SD memory card, Windows-based software and several cables and clamps make the MC7000-3 a valuable instrument for PQS.

5. Switching devices

Two types of switching devices are available from EPCOS: capacitor contactors and thyristor modules. Before choosing a switching device for a PFC system, the user must consider the number of switching operations.

Capacitor contactor

Contactors are electromechanical switching elements used to switch capacitors or reactors and capacitors in standard or detuned PFC systems. The pre-switching auxiliary contacts of EPCOS capacitor contactors close before the main contact and avoid peak current values by pre-loading the capacitor. Note: Even when using capacitor contactors, it is important not to exceed the annual switching capability of the particular capacitor series.

Thyristor modules

Fast-changing loads of any kind require technologies that act in real time. In dynamic PFC systems, thyristor modules replace slow-acting electromechanical switches. This not only allows them to react within a few milliseconds, but also increases the life expectancy of all components without any mechanical wear out of the thyristor module.

Note: A dynamic PF controller is required, e.g. of the BR6000-T or BR7000-T series.

6. Reactors (compensation and filtering)

Power distribution networks are increasingly subjected to harmonic pollution from modern power electronics devices, known as non-linear loads, e.g. drives, uninterruptible power supplies and electronic ballasts. Harmonics are dangerous for capacitors connected in the PFC circuit, especially if they operate at a resonant frequency. The series connection of a reactor and capacitor to detune the series resonant frequency (the capacitor's resonant frequency) helps to prevent capacitor damage. The most critical frequencies are the 5th and 7th harmonics (250 and 350 Hz at 50 Hz grid frequency). Detuned capacitor banks also help to reduce the harmonic distortion level and clean the network.

7. Discharge devices

Discharge resistors

- Discharge resistors are required to discharge capacitors and protect human beings against electric shock hazards as well as to switch capacitors in automatic PFC equipment (opposing phase).
- EPCOS discharge resistors are designed to discharge capacitors to 75 V or less within 60 seconds. Specific types < 75 V in 90 seconds; please refer to table of ordering codes.
- Before switching on again, capacitors must be discharged to 10% or less of their nominal voltage.
- Discharge resistors are included in the scope of delivery, pre-mounted for the PhaseCap Premium, PhaseCap Compact, PhaseCap HD, DeltaCap and PhiCap B32344 series.

Caution:

Discharge and short-circuit the capacitor before handling it!

Discharge reactor

Whenever fast discharge of a capacitor is required, a discharge resistor is not sufficient. Discharge reactors must be used to allow a discharge of within a few seconds. Also, the various steps in a PFC system can then be switched much faster, minimizing losses at the same time.

8. Protection

An HRC fuse or MCCB acts as a safety device for short-circuit protection.

- HRC fuses do not protect a capacitor against overload – they are designed for short-circuit protection only.
- The HRC fuse rating should be 1.6 to 1.8 times the nominal capacitor current.

Caution:

Do not use HRC fuses for switching (risk of arcing!).

Standard Values: Selection Tables for Cables, Cable Cross Sections and Fuses

Selection table			
Power kvar	Current A	Section mm ²	Fuse A
Rated voltage 230 V, 60 Hz			
2.5	6.3	1.5	10
5.0	12.6	4.0	25
7.5	18.8	6.0	35
10.0	25.1	10.0	50
12.5	31.4	16.0	50
15.0	37.7	16.0	63
20.0	50.2	25.0	80
25.0	62.8	35.0	100
30.0	75.3	50.0	125
40.0	100.4	70.0	160
50.0	125.5	95.0	200
75.0	188.3	185.0	315
100.0	251.0	2 x 120.0	400
125.0	–	–	–
150.0	–	–	–
175.0	–	–	–
200.0	–	–	–
Rated voltage 400 V, 50 Hz			
2.5	3.6	1.5	10
5.0	7.2	2.5	16
7.5	10.8	2.5	16
10.0	14.4	4.0	25
12.5	18.0	6.0	35
15.0	21.6	6.0	35
20.0	28.8	10.0	50
25.0	36.0	16.0	63
30.0	43.2	25.0	80
40.0	57.6	35.0	100
50.0	72.0	50.0	125
75.0	108.3	70.0	160
100.0	144.3	120.0	250
125.0	180.3	185.0	315
150.0	216.5	2 x 95.0	350
175.0	252.6	2 x 95.0	400
200.0	288.0	2 x 120.0	500
Rated voltage 440 V, 60 Hz			
2.5	3.3	1.5	10
5.0	6.6	2.5	16
7.5	10.0	2.5	16
10.0	13.2	4.0	25
12.5	16.8	4.0	25
15.0	19.8	6.0	35
20.0	26.4	10.0	50
25.0	33.0	16.0	63
30.0	39.6	25.0	80
40.0	52.8	35.0	100
50.0	66.0	50.0	125
75.0	99.0	70.0	160
100.0	132.0	95.0	200
125.0	165.0	185.0	315
150.0	198.0	2 x 95.0	350
175.0	231.0	2 x 95.0	400
200.0	264.0	2 x 120.0	500

The above mentioned values are guidelines for operation in normal conditions at ambient temperatures up to +35 °C. Upgrade accordingly if conditions differ, e.g. temperature or harmonics differ. The internal wiring of a capacitor bank is sometimes possible with a smaller cross section. Various parameters such as temperature inside the cabinet, cable quality, maximum cable insulation temperature, single or multi core cable, cable length and laying system have to be considered for a proper selection. The local panelbuilder/installer is responsible for a proper selection of the cable sizes and fuses according to the valid regulations and standards in the specific country where the PFC panels are installed.

Standard Values: Selection Tables for Cables, Cable Cross Sections and Fuses

Selection table			
Power kvar	Current A	Section mm ²	Fuse A
Rated voltage 480 V, 60 Hz			
2.5	3.0	1.5	10
5.0	6.0	2.5	16
7.5	9.0	2.5	16
10.0	12.0	4.0	25
12.5	18.0	6.0	35
15.0	21.0	6.0	35
20.0	24.0	10.0	50
25.0	30.0	10.0	50
30.0	36.0	16.0	63
40.0	48.0	25.0	80
50.0	60.0	35.0	100
75.0	90.0	70.0	160
100.0	120.0	95.0	200
125.0	150.0	120.0	250
150.0	180.0	185.0	315
175.0	210.0	2 x 95.0	350
200.0	240.0	2 x 95.0	400
Rated voltage 525 V, 50 Hz			
2.5	2.7	1.5	10
5.0	5.5	1.5	10
7.5	6.9	2.5	16
10.0	11.0	2.5	16
12.5	13.7	4.0	25
15.0	16.5	4.0	25
20.0	22.0	6.0	35
25.0	27.5	10.0	50
30.0	33.0	16.0	63
40.0	44.0	25.0	80
50.0	55.0	35.0	100
75.0	82.5	70.0	160
100.0	110.0	95.0	200
125.0	137.5	95.0	200
150.0	165.0	185.0	300
175.0	193.0	2 x 95.0	350
200.0	220.0	2 x 95.0	350
Rated voltage 690 V, 50 Hz			
2.5	2.1	1.5	10
5.0	4.2	1.5	10
7.5	6.3	1.5	10
10.0	8.4	2.5	16
12.5	10.5	2.5	16
15.0	12.6	4.0	25
20.0	16.7	4.0	25
25.0	20.9	6.0	35
30.0	25.1	10.0	50
40.0	33.5	16.0	63
50.0	41.8	25.0	80
75.0	62.8	50.0	125
100.0	83.7	70.0	160
125.0	105.0	70.0	160
150.0	126.0	95.0	200
175.0	146.0	120.0	250
200.0	167.0	128.5	315

The above mentioned values are guidelines for operation in normal conditions at ambient temperatures up to +35 °C. Upgrade accordingly if conditions differ, e.g. temperature or harmonics differ. The internal wiring of a capacitor bank is sometimes possible with a smaller cross section. Various parameters such as temperature inside the cabinet, cable quality, maximum cable insulation temperature, single or multi core cable, cable length and laying system have to be considered for a proper selection. The local panelbuilder/installer is responsible for a proper selection of the cable sizes and fuses according to the valid regulations and standards in the specific country where the PFC panels are installed.

Calculation Table for Reactive Power Demand (Qc)

Current (ACTUAL) tan φ	cos φ	Achievable (TARGET) cos φ							TARGET cos φ = 0.96		
		0.80	0.82	0.85	0.88	0.90	0.92	0.94	cos φ ≤ 1		
		Faktor F							Q _c = P _{mot} · F (0.96) = ... [kvar] 100 · 1.01 = 101.0 kvar		
		0.80	0.82	0.85	0.88	0.90	0.92	0.94	0.96	0.98	1.00
3.18	0.30	2.43	2.48	2.56	2.64	2.70	2.75	2.82	2.89	2.98	3.18
2.96	0.32	2.21	2.26	2.34	2.42	2.48	2.53	2.60	2.67	2.76	2.96
2.77	0.34	2.02	2.07	2.15	2.23	2.28	2.34	2.41	2.48	2.56	2.77
2.59	0.36	1.84	1.89	1.97	2.05	2.10	2.17	2.23	2.30	2.39	2.59
2.43	0.38	1.68	1.73	1.81	1.89	1.95	2.01	2.07	2.14	2.23	2.43
2.29	0.40	1.54	1.59	1.67	1.75	1.81	1.87	1.93	2.00	2.09	2.29
2.16	0.42	1.41	1.46	1.54	1.62	1.68	1.73	1.80	1.87	1.96	2.16
2.04	0.44	1.29	1.34	1.42	1.50	1.56	1.61	1.68	1.75	1.84	2.04
1.93	0.46	1.18	1.23	1.31	1.39	1.45	1.50	1.57	1.64	1.73	1.93
1.83	0.48	1.08	1.13	1.21	1.29	1.34	1.40	1.47	1.54	1.62	1.83
1.73	0.50	0.98	1.03	1.11	1.19	1.25	1.31	1.37	1.45	1.63	1.73
1.64	0.52	0.89	0.94	1.02	1.10	1.16	1.22	1.28	1.35	1.44	1.64
1.56	0.54	0.81	0.86	0.94	1.02	1.07	1.13	1.20	1.27	1.36	1.56
1.48	0.56	0.73	0.78	0.86	0.94	1.00	1.05	1.12	1.19	1.28	1.48
1.40	0.58	0.65	0.70	0.78	0.86	0.92	0.98	1.04	1.11	1.20	1.40
1.33	0.60	0.58	0.63	0.71	0.79	0.85	0.91	0.97	1.04	1.13	1.33
1.30	0.61	0.55	0.60	0.68	0.76	0.81	0.87	0.94	1.01	1.10	1.30
1.27	0.62	0.52	0.57	0.65	0.73	0.78	0.84	0.91	0.99	1.06	1.27
1.23	0.63	0.48	0.53	0.61	0.69	0.75	0.81	0.87	0.94	1.03	1.23
1.20	0.64	0.45	0.50	0.58	0.66	0.72	0.77	0.84	0.91	1.00	1.20
1.17	0.65	0.42	0.47	0.55	0.63	0.68	0.74	0.81	0.88	0.97	1.17
1.14	0.66	0.39	0.44	0.52	0.60	0.65	0.71	0.78	0.85	0.94	1.14
1.11	0.67	0.36	0.41	0.49	0.57	0.63	0.68	0.75	0.82	0.90	1.11
1.08	0.68	0.33	0.38	0.46	0.54	0.59	0.65	0.72	0.79	0.88	1.08
1.05	0.69	0.30	0.35	0.43	0.51	0.56	0.62	0.69	0.76	0.85	1.05
1.02	0.70	0.27	0.32	0.40	0.48	0.54	0.59	0.66	0.73	0.82	1.02
0.99	0.71	0.24	0.29	0.37	0.45	0.51	0.57	0.63	0.70	0.79	0.99
0.96	0.72	0.21	0.26	0.34	0.42	0.48	0.54	0.60	0.67	0.76	0.96
0.94	0.73	0.19	0.24	0.32	0.40	0.45	0.51	0.58	0.65	0.73	0.94
0.91	0.74	0.16	0.21	0.29	0.37	0.42	0.48	0.55	0.62	0.71	0.91
0.88	0.75	0.13	0.18	0.26	0.34	0.40	0.46	0.52	0.59	0.68	0.88
0.86	0.76	0.11	0.16	0.24	0.32	0.37	0.43	0.50	0.57	0.65	0.86
0.83	0.77	0.08	0.13	0.21	0.29	0.34	0.40	0.47	0.54	0.63	0.83
0.80	0.78	0.05	0.10	0.18	0.26	0.32	0.38	0.44	0.51	0.60	0.80
0.78	0.79	0.03	0.08	0.16	0.24	0.29	0.35	0.42	0.49	0.57	0.78
0.75	0.80		0.05	0.13	0.21	0.27	0.32	0.39	0.46	0.55	0.75
0.72	0.81			0.10	0.18	0.24	0.30	0.36	0.43	0.52	0.72
0.70	0.82			0.08	0.16	0.21	0.27	0.34	0.41	0.49	0.70
0.67	0.83			0.05	0.13	0.19	0.25	0.31	0.38	0.47	0.67
0.65	0.84			0.03	0.11	0.16	0.22	0.29	0.36	0.44	0.65
0.62	0.85				0.08	0.14	0.19	0.26	0.33	0.42	0.62
0.59	0.86				0.05	0.11	0.17	0.23	0.30	0.39	0.59
0.57	0.87					0.08	0.14	0.21	0.28	0.36	0.57
0.54	0.88					0.06	0.11	0.18	0.25	0.34	0.54
0.51	0.89					0.03	0.09	0.15	0.22	0.31	0.51
0.48	0.90						0.06	0.12	0.19	0.28	0.48
0.46	0.91						0.03	0.10	0.17	0.25	0.46
0.43	0.92							0.07	0.14	0.22	0.43
0.40	0.93							0.04	0.11	0.19	0.40
0.36	0.94								0.07	0.16	0.36
0.33	0.95									0.13	0.33

$$Q_C = P_A \cdot (\tan \phi_1 - \tan \phi_2)$$

$$Q_C \text{ [kvar]} = P_A \cdot F = \text{active power [kW]} \cdot \text{factor "F"}$$

$$P_A = S \cdot \cos \phi = \text{apparent power} \cdot \cos \phi$$

tan φ₁ + φ₂ according to cos φ values ref. table

Example:

Actual motor power

P = 100 kW

ACTUAL cos φ

0.61

TARGET cos φ

0.96

Factor F from table

1.01

Capacitor reactive power Q_C

Q_C = 100 · 1.01 = 101.0 kvar

Individual PFC for Motors

Approximate values (specified by the German Electricity Association VDEW) for fixed PFC of motors			
Motor nominal rating	Capacitor power rating (1500 r.p.m.*)	Capacitor power rating (1000 r.p.m.*)	Capacitor power rating (750 r.p.m.*)
kW	kvar	kvar	kvar
1 ... 1.9	0.5	0.5	0.6
2 ... 2.9	1	1.1	1.2
3 ... 3.9	1.5	1.6	1.7
4 ... 4.9	2	2.1	2.3
5 ... 5.9	2.5	2.6	2.9
6 ... 7.9	3	3.2	3.5
8 ... 10.9	4	4.2	4.6
11 ... 13.9	5	5.3	5.8
14 ... 17.9	6	6.3	6.9
18 ... 21.9	7.5	8.0	8.6
22 ... 29.9	10	10.5	11.5
30 ... 39.9	approx. 40% of the motor power		
40 and above	approx. 35% of the motor power		

*r.p.m.: revolutions per minute

The capacitor output should be approx. 90% of the apparent power of the motor when idle.

This means a power factor of 0.9% at full load and 0.95 ... 0.98 during idling. Important: The capacitor output

must not be rated too high for individual compensated machines where the capacitor is directly connected with the motor clamp. This especially applies when the machine has a big oscillating weight and still continues to rotate after switching off.

The capacitor placed in parallel may act as generator for the motor which will cause serious overvoltages. The consequence could be heavy damage to the capacitor as well as to the motor.

Individual PFC for Transformers

Standard values for transformer power factor correction		
Rated apparent power of transformer kVA	Rated capacitor power for oil immersed transformers kvar	Rated capacitor power for cast resin transformers kvar
10	1.0	1.5
20	2.0	1.7
50	4.0	2.0
75	5.0	2.5
100	5.0	2.5
160	7.0	4.0
200	7.5	5.0
250	8.0	7.5
315	10.0	8.0
400	12.5	8.5
500	15.0	10.0
630	17.5	12.5
800	20.0	15.0
1000	25.0	16.7
1250	30.0	20.0
1600	35.0	22.0
2000	40.0	25.0
2500	50.0	35.0
3150	60.0	50.0

For an exact calculation of the right capacitor value, following formula can be used:

$$Q_C = I_0\% \cdot \frac{A_N}{100}$$

Q_C = needed capacitor (kvar)

$I_0\%$ = magnetising current of the transformer ($A_S\%$)

A_N = apparent rated power of the transformer in kVA

There are regional differences in the guidelines of power suppliers concerning the admissible size of capacitors directly connected with a transformer. Therefore a consultation with the respective power supplier is recommended before installation of

a compensation bank. Modern transformers have laminations which only need low capacity to reverse the magnetism. In case the capacitor output is too high, stress increase may occur during idling.

Detuned PFC in General

When installing capacitors for PFC purpose, the problem of dealing with harmonics has to be faced. They have to be taken into account when designing the PFC system in order to prevent parallel and / or series resonance conditions that would damage the whole electrical system.

When PFC capacitors are connected, the inductance of the transformer together with the capacitors forms a resonant circuit that could be excited by a harmonic current generated by the load. This resonant circuit has a resonance frequency, and if a harmonic current of this frequency (or close to it) exists, it will lead the circuit into a resonance condition where high current will flow through the branches (L: the transformer, and C: the capacitor bank), overloading them and raising the voltage across them and across the whole electrical system that is connected in parallel.

PFC detuned filtering is a technique to correct the power factor avoiding the risk of resonance condition performed by shifting the resonance frequency to lower values where no harmonic currents are present.

This is achieved by modifying the basic LC circuit formed by the transformer and the capacitor bank, introducing a filter reactor in series with the capacitors, making this way a more complex resonant circuit but with the desired feature of having a resonance frequency below the first existing harmonic. This way it's not possible to have a real resonance condition.

Besides this main objective, the reactor connected in series with capacitors form a series resonant circuit with a certain tuning frequency at which the branch will offer a low impedance path. Filtering of harmonic currents and "cleaning" of the grid will be achieved.

Components for PFC detuned filters must be carefully selected according to the desired PFC purpose, to the harmonics present in the system, to some features of the system like short circuit power and impedances, to the desired filtering effect and to the characteristics of the resonant circuit configured.

For example, the voltage across the capacitors will be higher than the nominal grid voltage when they have a reactor connected in series.

The reactors must be selected in line with the inductance value to obtain the desired tuning frequency and current capability high enough for the harmonic current absorption that can be expected. The tuning frequency is usually indirectly referred to as the detuning factor p and expressed as a percentage.

$$p = 100 \cdot \frac{X_L}{X_C} = \left(\frac{f}{f_{RES}} \right)^2 \cdot 100$$

PFC detuned filtering is an engineering speciality that takes experienced know-how to implement it in a satisfying and safe way.

The design-instructions for detuned PFC systems on page 101 have to be followed to ensure an optimum performance of the PFC system.

Note: The recommendations given in the selection tables are meant as a support tool. EPCOS does not take over any responsibility for the design as apart from the theoretical conditions the prevailing circumstances in the application have to be taken into account.

Detuned PFC: Important Facts and Instructions

Important design instructions to be followed for detuned PFC Systems

- 1 Determine the necessary effective power (kvar) of the capacitor bank in order to obtain the desired PF.
- 2 Design the capacitor stages in such a way that the sensibility of the bank is around 15–20% of the total available power. It's not useful to have a more sensitive bank that reacts with a 5 or 10% of the total power because this would lead to a high amount of switching operations, wasting the equipment unnecessarily when the real objective is to have a high average PF.
- 3 Try to design the bank with standard kvar values of effective power steps, preferably multiples of 25 kvar.
- 4 Measure the presence of harmonic currents in the main feeder cable of the system without capacitors at all possible load conditions. Determine frequency and maximum amplitude for every harmonic that could exist.

Calculate the Total Harmonic Distortion of Current $THD-I = 100 \cdot \text{SQR} [(I_3)^2 + (I_5)^2 + \dots + (I_N)^2] / I_1$
Calculate every existing value for $THD-I_R = 100 \cdot I_R / I_1$
- 5 Measure the presence of harmonic voltages that might come from outside your system, if possible measure the HV side. Calculate the Total Harmonic Distortion of Voltage $THD-V = 100 \cdot \text{SQR} [(V_3)^2 + (V_5)^2 + \dots + (V_N)^2] / V_1$
- 6 Are there harmonics such as $THD-I > 10\%$ or $THD-V > 3\%$ (measured without capacitors)?
If YES → use PFC-DF and go to consideration 7.
If NO → use standard PFC and skip considerations 7, 8 and 9.
- 7 Is there 3rd harmonic content, $I_3 > 0.2 \cdot I_5$?
If YES → use PFC-DF with $p = 14\%$ and skip consideration 8.
If NO → use PFC-DF with $p = 7\%$ or 5.67% and go to consideration 8.
- 8 THD-V is:
3–7% → use PFC-DF with $p = 7\%$
>7% → use PFC-DF with $p = 5.67\%$
>10% → ask for special filter design
- 9 Select the proper components using EPCOS tables for PFC-DF and standard values for effective power, the voltage and frequency of your grid, and the determined detuned factor p .
- 10 Always use genuine EPCOS application-specific designed components for PFC-DF. Please observe that reactors are specified for their effective power at grid voltage and frequency. This power will be the real effective power of the whole LC set at fundamental frequency. Capacitors for PFC-DF must be selected for a higher rated voltage than the grid's because of the overvoltage caused by the series connection with the reactor. Contactors for capacitors are designed as application-specific to reduce inrush capacitors currents and to handle capacitive loads in a reliable way.

Note: These are general instructions. Conditions may differ depending on the application. In case of doubts, please contact our local sales-office.

Component Selection Tables for Detuned PFC



Selection table						
Detuning factor %	Effective filter output kvar	Capacitor ordering code	Reactor ordering code ¹⁾	Contacting ordering code	Cable ²⁾ cross-section mm ²	Fuse ²⁾ rating A
Grid voltage: 400 V – 50 Hz detuned filters components selection table						
5.67	10.0	1 x B25667C4207A375	B44066D5010*400	B44066S1810J230	4	25
5.67	12.5	1 x B25667C4237A375	B44066D5012*400	B44066S1810J230	6	35
5.67	20.0	1 x B25667C4417A375	B44066D5020*400	B44066S2410J230	10	50
5.67	25.0	1 x B25667C4467A375	B44066D5025*400	B44066S3210J230	16	63
5.67	40.0	1 x B25667C4337A375 1 x B25667C4417A375	B44066D5040*400	B44066S6210J230	35	100
5.67	50.0	2 x B25667C4467A375	B44066D5050*400	B44066S6210J230	50	125
5.67	75.0	3 x B25667C4467A375	B44066D5075*400	B44066S7410J230	70	160
5.67	100.0	4 x B25667C4467A375	B44066D5100*400	B44066S9910J230	120	250
7	10.0	1 x B25667C4207A375	B44066D7010*400	B44066S1810J230	4	25
7	12.5	1 x B25667C4237A375	B44066D7012*400	B44066S1810J230	6	35
7	20.0	1 x B25667C4417A375	B44066D7020*400	B44066S2410J230	10	50
7	25.0	1 x B25667C4467A375	B44066D7025*400	B44066S3210J230	16	63
7	40.0	1 x B25667C4337A375 1 x B25667C4417A375	B44066D7040*400	B44066S6210J230	35	100
7	50.0	2 x B25667C4467A375	B44066D7050*400	B44066S6210J230	50	125
7	75.0	3 x B25667C4467A375	B44066D7075*400	B44066S7410J230	70	160
7	100.0	4 x B25667C4467A375	B44066D7100*400	B44066S9910J230	120	250
14	10.0	1 x B25667C5177A375	B44066D1410*400	B44066S1810J230	4	25
14	12.5	1 x B25667C4207A375	B44066D1412*400	B44066S1810J230	6	35
14	20.0	1 x B25667C4347A375	B44066D1420*400	B44066S2410J230	10	50
14	25.0	1 x B25667C4417A365	B44066D1425*400	B44066S3210J230	16	63
14	40.0	2 x B25667C4337A375	B44066D1440*400	B44066S6210J230	35	100
14	50.0	2 x B25667C4417A365	B44066D1450*400	B44066S6210J230	50	125
14	75.0	3 x B25667C4417A365	B44066D1475*400	B44066S7410J230	70	160
14	100.0	4 x B25667C4417A365	B44066D1499*400	B44066S9910J230	120	250
Grid voltage: 400 V – 60 Hz detuned filters components selection table						
5.67	25.0	1 x B25667C4307A375 1 x B25667C4826A375	B44066D5025*401	B44066S3210J230	16	63
5.67	50.0	1 x B25667C4417A375 1 x B25667C4247A375 1 x B25667C4127A375	B44066D5050*401	B44066S6210J230	50	125
5.67	75.0	2 x B25667C4417A375 1 x B25667C4337A375	B44066D5075*401	B44066S7410J230	70	160
5.67	100.0	3 x B25667C4417A375 1 x B25667C4337A375	B44066D5100*401	B44066S9910J230	120	250
7	25.0	1 x B25667C4307A375 1 x B25667C4826A375	B44066D7025*401	B44066S3210J230	16	63
7	50.0	1 x B25667C4417A375 1 x B25667C4247A375 1 x B25667C4127A375	B44066D7050*401	B44066S6210J230	50	125
7	75.0	2 x B25667C4417A375 1 x B25667C4337A375	B44066D7075*401	B44066S7410J230	70	160
7	100.0	3 x B25667C4417A375 1 x B25667C4307A375	B44066D7100*401	B44066S9910J230	120	250

¹⁾ EPCOS offers reactors with slightly different specifications (e.g. dimensions) that can be used for the same application although sometimes with slightly different resulting performances. These types are distinguished by different letters at digit 12 of the product code. Thus this digit is not specified here. Please refer to the product pages 76ff. for the EPCOS main product line.

²⁾ The above mentioned values are guidelines for operation in normal conditions at ambient temperatures up to +35 °C. Various parameters such as temperature inside the cabinet, cable quality, maximum cable insulation temperature, single or multi core cable, cable length and laying system have to be considered for a proper selection. Upgrade/downgrade accordingly if conditions differ. Additionally do not forget to consider the regulations and standards which are valid for your country.

Component Selection Tables for Detuned PFC



Selection table

Detuning factor %	Effective filter output kvar	Capacitor ordering code	Reactor ordering code ¹⁾	Contacting ordering code	Cable ²⁾ cross-section mm ²	Fuse ²⁾ rating A
Grid voltage: 400 V – 60 Hz detuned filters components selection table						
14	25.0	1 x B25667C4347A375	B44066D1425*401	B44066S3210J230	16	63
14	50.0	2 x B25667C4347A375	B44066D1450*401	B44066S6210J230	50	125
14	75.0	3 x B25667C4347A375	B44066D1475*401	B44066S7410J230	70	160
14	100.0	4 x B25667C4347A375	B44066D1499*401	B44066S9910J230	120	250
Grid voltage: 440 V – 50 Hz detuned filters components selection table						
5.67	10.0	1 x B25667C5177A375	B44066D5010*440	B44066S1810J230	4	25
5.67	12.5	1 x B25667C4207A375	B44066D5012*440	B44066S1810J230	4	25
5.67	20.0	1 x B25667C4347A375	B44066D5020*440	B44066S2410J230	10	50
5.67	25.0	1 x B25667C5177A375 1 x B25667C4207A375	B44066D5025*440	B44066S3210J230	16	63
5.67	40.0	1 x B25667C4277A375 1 x B25667C4347A375	B44066D5040*440	B44066S6210J230	35	100
5.67	50.0	1 x B25667C4347A375 1 x B25667C4417A365	B44066D5050*440	B44066S6210J230	50	125
5.67	75.0	1 x B25667C4347A375 2 x B25667C4417A365	B44066D5075*440	B44066S7410J230	70	160
5.67	100.0	2 x B25667C4347A375 2 x B25667C4417A365	B44066D5100*440	B44066S9910J230	95	200
7	10.0	1 x B25667C5177A375	B44066D7010*440	B44066S1810J230	4	25
7	12.5	1 x B25667C4207A375	B44066D7012*440	B44066S1810J230	4	25
7	20.0	1 x B25667C4347A375	B44066D7020*440	B44066S2410J230	10	50
7	25.0	1 x B25667C5177A375 1 x B25667C4207A375	B44066D7025*440	B44066S3210J230	16	63
7	40.0	1 x B25667C4277A375 1 x B25667C4347A375	B44066D7040*440	B44066S6210J230	35	100
7	50.0	1 x B25667C4417A365 1 x B25667C4347A375	B44066D7050*440	B44066S6210J230	50	125
7	75.0	1 x B25667C4347A375 2 x B25667C4417A365	B44066D7075*440	B44066S7410J230	70	160
7	100.0	2 x B25667C4347A375 2 x B25667C4417A365	B44066D7100*440	B44066S9910J230	95	200
14	10.0	1 x B25667C5147A375	B44066D1410*440	B44066S1810J230	4	25
14	12.5	1 x B25667C5177A375	B44066D1412*440	B44066S1810J230	4	25
14	20.0	1 x B25667C5287A375	B44066D1420*440	B44066S2410J230	10	50
14	25.0	1 x B25667C5347A375	B44066D1425*440	B44066S3210J230	16	63
14	40.0	2 x B25667C5287A375	B44066D1440*440	B44066S6210J230	35	100
14	50.0	2 x B25667C5347A375	B44066D1450*440	B44066S6210J230	50	125
14	75.0	3 x B25667C5347A375	B44066D1475*440	B44066S7410J230	70	160
14	100.0	4 x B25667C5347A375	B44066D1499*440	B44066S9910J230	95	200

¹⁾ EPCOS offers reactors with slightly different specifications (e.g. dimensions) that can be used for the same application although sometimes with slightly different resulting performances. These types are distinguished by different letters at digit 12 of the product code. Thus this digit is not specified here. Please refer to the product pages 76ff. for the EPCOS main product line.

²⁾ The above mentioned values are guidelines for operation in normal conditions at ambient temperatures up to +35 °C. Various parameters such as temperature inside the cabinet, cable quality, maximum cable insulation temperature, single or multi core cable, cable length and laying system have to be considered for a proper selection. Upgrade/downgrade accordingly if conditions differ. Additionally do not forget to consider the regulations and standards which are valid for your country.

Component Selection Tables for Detuned PFC



Selection table						
Detuning factor %	Effective filter output kvar	Capacitor ordering code	Reactor ordering code ¹⁾	Contacting ordering code	Cable ²⁾ cross-section mm ²	Fuse ²⁾ rating A
Grid voltage: 440 V – 60 Hz detuned filters components selection table						
5.67	25.0	1 x B25667C5147A375 1 x B25667C5177A375	B44066D5025*441	B44066S3210J230	16	63
5.67	50.0	2 x B25667C4347A375	B44066D5050*441	B44066S6210J230	50	125
5.67	75.0	2 x B25667C4347A375 1 x B25667C4277A375	B44066D5075*441	B44066S7410J230	70	160
5.67	100.0	3 x B25667C4347A375 1 x B25667C4277A375	B44066D5100*441	B44066S9910J230	95	200
7	25.0	1 x B25667C5147A375 1 x B25667C5177A375	B44066D7025*441	B44066S3210J230	16	63
7	50.0	2 x B25667C4347A375	B44066D7050*441	B44066S6210J230	50	125
7	75.0	2 x B25667C4347A375 1 x B25667C4277A375	B44066D7075*441	B44066S7410J230	70	160
7	100.0	3 x B25667C4347A375 1 x B25667C5237A375	B44066D7100*441	B44066S9910J230	95	200
14	25.0	1 x B25667C5966A375 1 x B25667C5197A375	B44066D1425*441	B44066S3210J230	16	63
14	50.0	3 x B25667C5197A375	B44066D1450*441	B44066S6210J230	50	125
14	75.0	3 x B25667C5237A375 1 x B25667C5197A375	B44066D1475*441	B44066S7410J230	70	160
14	100.0	5 x B25667C5237A375	B44066D1499*441	B44066S9910J230	95	200
Grid voltage: 480 V – 60 Hz detuned filters components selection table						
5.67	25.0	1 x B25667C5177A375 1 x B25667C5966A375	B44066D5025*481	B44066S3210J230	10	50
5.67	50.0	2 x B25667C5197A375 1 x B25667C5147A375	B44066D5050*481	B44066S6210J230	35	100
5.67	75.0	3 x B25667C5237A375 1 x B25667C5127A375	B44066D5075*481	B44066S7410J230	70	160
5.67	100.0	4 x B25667C5237A375 1 x B25667C5147A375	B44066D5100*481	B44066S9910J230	95	200
7	25.0	1 x B25667C5177A375 1 x B25667C5966A375	B44066D7025*481	B44066S3210J230	10	50
7	50.0	2 x B25667C5197A375 1 x B25667C5147A375	B44066D7050*481	B44066S6210J230	35	100
7	75.0	3 x B25667C5237A375 1 x B25667C5127A375	B44066D7075*481	B44066S7410J230	70	160
7	100.0	4 x B25667C5237A375 1 x B25667C5147A375	B44066D7100*481	B44066S9910J230	95	200
14	25.0	1 x B25667C6107A375 1 x B25667C6137A375	B44066D1425*481	B44066S3210J230	10	50
14	50.0	2 x B25667C6107A375 2 x B25667C6137A375	B44066D1450*481	B44066S6210J230	35	100
14	75.0	3 x B25667C6107A375 3 x B25667C6137A375	B44066D1475*481	B44066S7410J230	70	160
14	100.0	4 x B25667C6107A375 4 x B25667C6137A375	B44066D1499*481	B44066S9910J230	95	200

¹⁾ EPCOS offers reactors with slightly different specifications (e.g. dimensions) that can be used for the same application although sometimes with slightly different resulting performances. These types are distinguished by different letters at digit 12 of the product code. Thus this digit is not specified here. Please refer to the product pages 76ff. for the EPCOS main product line.

²⁾ The above mentioned values are guidelines for operation in normal conditions at ambient temperatures up to +35 °C. Various parameters such as temperature inside the cabinet, cable quality, maximum cable insulation temperature, single or multi core cable, cable length and laying system have to be considered for a proper selection. Upgrade/downgrade accordingly if conditions differ. Additionally do not forget to consider the regulations and standards which are valid for your country.

Component Selection Tables for Detuned PFC



Selection table						
Detuning factor %	Effective filter output kvar	Capacitor ordering code	Reactor ordering code ¹⁾	Contacting ordering code	Cable ²⁾ cross-section mm ²	Fuse ²⁾ rating A
Grid voltage: 690 V – 50 Hz detuned filters components selection table						
5.67	25.0	1 x B25667C7996A375 1 x B25667C7626A375	B44066D5025*690	B44066S2410J230	6	35
5.67	50.0	2 x B25667C7127A375 1 x B25667C7626A375	B44066D5050*690	B44066S5010J230	25	80
5.67	75.0	3 x B25667C7127A375 1 x B25667C7996A375	B44066D5075*690	B44066S6210J230	50	125
5.67	100.0	4 x B25667C7137A375 1 x B25667C7746A375	B44066D5100*690	B44066S7410J230	70	160
7	25.0	1 x B25667C7626A375 1 x B25667C7996A375	B44066D7025*690	B44066S2410J230	6	35
7	50.0	2 x B25667C7127A375 1 x B25667C7626A375	B44066D7050*690	B44066S5010J230	25	80
7	75.0	3 x B25667C7127A375 1 x B25667C7996A375	B44066D7075*690	B44066S6210J230	50	125
7	100.0	5 x B25667C7127A375	B44055D7100*690	B44066S7410J230	70	160
14	25.0	3 x B25667C5147A375 ³⁾	B44066D1425*690	B44066S2410J230	6	35
14	50.0	6 x B25667C5147A175 ³⁾ 6 x B25667C5177A175 ³⁾	B44066D1450*690	B44066S5010J230	25	80
14	100.0	12 x B25667C5147A175 ³⁾	B44066D1499*690	B44066S7410J230	70	160
Grid voltage: 690 V – 60 Hz detuned filters components selection table						
5.67	25.0	1 x B25667C7137A375	B44066D5025*691	B44066S2410J230	6	35
5.67	50.0	1 x B25667C7127A375 1 x B25667C7137A375	B44066D5050*691	B44066S5010J230	25	80
5.67	75.0	1 x B25667C7127A375 2 x B25667C7137A375	B44066D5075*691	B44066S6210J230	35	125
5.67	100.0	1 x B25667C7127A375 3 x B25667C7137A375	B44066D5100*691	B44066S7410J230	70	160
7	25.0	1 x B25667C7127A375	B44066D7025*691	B44066S2410J230	6	35
7	50.0	1 x B25667C7127A375 1 x B25667C7137A375	B44066D7050*691	B44066S5010J230	25	80
7	75.0	1 x B25667C7127A375 2 x B25667C7137A375	B44066D7075*691	B44066S6210J230	35	125
7	100.0	1 x B25667C7996A375 3 x B25667C7137A375	B44055D7100*691	B44066S7410J230	70	160
14	25.0	3 x B25667C5117A175 ³⁾	B44066D1425*691	B44066S2410J230	6	35
14	50.0	6 x B25667C5117A175 ³⁾	B44066D1450*691	B44066S5010J230	25	80
14	100.0	12 x B25667C5117A175 ³⁾	B44066D1499*691	B44066S7410J230	70	160

¹⁾ EPCOS offers reactors with slightly different specifications (e.g. dimensions) that can be used for the same application although sometimes with slightly different resulting performances. These types are distinguished by different letters at digit 12 of the product code. Thus this digit is not specified here. Please refer to the product pages 76ff. for the EPCOS main product line.

²⁾ The above mentioned values are guidelines for operation in normal conditions at ambient temperatures up to +35 °C. Various parameters such as temperature inside the cabinet, cable quality, maximum cable insulation temperature, single or multi core cable, cable length and laying system have to be considered for a proper selection. Upgrade/downgrade accordingly if conditions differ. Additionally do not forget to consider the regulations and standards which are valid for your country.

³⁾ In some cases special interconnection of the single phase capacitors needed; in case you are not familiar please contact our sales office for further details.

Dynamic PFC: Important Facts and Instructions

General

Conventional PFC systems quickly reach their limits when they have to deal with fast changing loads. Applications like rolling mills, steel presses, wind turbines, container cranes and large buildings include a huge amount of electric consumers that require a reactive power adjustment on the ms scale. Production equipment, elevators, chillers, and other electric devices not only require such dynamic reactions of the power factor compensation equipment, they also lead very soon to a total number of switchings that exceeds the specifications of standard electromechanical contactors by far.

In conventional PFC systems, standard capacitor contactors are used to switch capacitor steps on and off. These electromechanical devices offer between 100 000 and 200 000 switching operations in total during their life time which means that in such an application they reach their life expectancy after 1 to 2 years already. It has to be mentioned that capacitors are much stricter limited with regard to the permitted annual number of switching operations (IEC 60831). This typically results in destruction of their inrush current damping capability and may also damage the contacts in the main power circuit. Burnt main contacts may produce oscillation or "unclean" (re-bouncing) switching operations. This massive overload not only

shortens the life expectancy of the capacitor, but also increases the risk of premature failure and in the worst case represents a potential safety risk.

But furthermore the capacitor itself is specified for a limited number of switching operations per year. The standard IEC 60831 gives an acceptable value of 5000 switching operations per year, a value far below switching numbers up to 100 000 that may be required per year in dynamic applications. Such large switching numbers and the respective overvoltages and overcurrents during each switching operation are likely to damage the capacitor and may lead to a very early capacitor failure.

In dynamic PFC systems, the capacitor contactors are replaced by thyristor modules that are suitable for a nearby unlimited number of switching operations as there is no mechanical wear-off. Thyristor modules feature electronic semiconductor switches that are able to react to a changing reactive power demand on the ms scale and that can switch capacitors without additional stress. The EPCOS TSM-thyristor switches keep the capacitors at the peak value of the grid voltage and connect them only when the grid reaches this peak voltage value. Thus the capacitors are switched current free and inrush currents that can reach values of 200 times the nominal current for conventional contactors are avoided. Additionally capacitor dis-

charge times up to 75 s as necessary for conventional PFC are not required here.

In summary dynamic PFC does not only prevent wear-off of the capacitors and the switches and increases thus the lifetime of a PFC system and its safety. It also increases the power quality in the grid essentially as it can almost react in real time to reactive power demands. Fast enough for example, to take care of motor start up effects or spot welding requirements.

EPCOS offers all necessary key components to set up a dynamic PFC systems as the thyristor modules (TSM, see page 75), the required fast transistor output controllers (BR6000-T, page 54ff), and the EPCOS standard reactor (page 79) and of course capacitor series (page 12ff). A further help to compose such a system for a large number of situations is given by the dynamic PFC selection tables on page 102ff.

Note: The recommendations given in the selection tables are meant as a support tool. EPCOS does not take over any responsibility for the design as apart from the theoretical conditions the prevailing circumstances in the application have to be taken into account.

Component Selection Tables for Dynamic PFC



Component selection table for dynamic LV PFC antiresonance filter circuits

De-tuning factor %	Effective filter output kvar	Capacitor ²⁾ quantity and ordering code	Reactor ¹⁾ quantity and ordering code	Thyristor module quantity and ordering code	Discharge resistor ³⁾ quantity and ordering code	Cable ⁴⁾ cross-section mm ²	Fuse ⁴⁾ A
Grid voltage: 400 V – 50 Hz dynamic detuned filters components selection table							
5.67	10	1x B25667C5197A375	1x B44066D5010*400	1x B44066T0010E402	1x B44066T0022E400	10	35
5.67	12.5	1x B25667C5237A375	1x B44066D5012*400	1x B44066T0010E402	1x B44066T0022E400	10	35
5.67	20	2x B25667C5197A375	1x B44066D5020*400	1x B44066T0025E402	1x B44066T0022E400	10	50
5.67	25	2x B25667C5237A375	1x B44066D5025*400	1x B44066T0025E402	1x B44066T0022E400	16	63
5.67	40	1x B25667C5287A375 2x B25667C5237A375	1x B44066D5040*400	1x B44066T0050E402	1x B44066T0022E400	35	100
5.67	50	2x B25667C5347A375 1x B25667C5237A375	1x B44066D5050*400	1x B44066T0050E402	1x B44066T0022E400	50	125
5.67	100	4x B25667C5347A375 2x B25667C5237A375	1x B44066D5100*400	1x B44066T0100E402	2x B44066T0022E400 ³⁾	120	250
7	10	1x B25667C5197A375	1x B44066D7010*400	1x B44066T0010E402	1x B44066T0022E400	10	35
7	12.5	1x B25667C5237A375	1x B44066D7012*400	1x B44066T0010E402	1x B44066T0022E400	10	35
7	20	1x B25667C5177A375 1x B25667C5197A375	1x B44066D7020*400	1x B44066T0025E402	1x B44066T0022E400	10	50
7	25	2x B25667C5237A375	1x B44066D7025*400	1x B44066T0025E402	1x B44066T0022E400	16	63
7	40	1x B25667C5287A375 2x B25667C5237A375	1x B44066D7040*400	1x B44066T0050E402	1x B44066T0022E400	35	100
7	50	2x B25667C5347A375 1x B25667C5237A375	1x B44066D7050*400	1x B44066T0050E402	1x B44066T0022E400	50	125
7	100	4x B25667C5347A375 2x B25667C5237A375	1x B44066D7100*400	1x B44066T0100E402	2x B44066T0022E400 ³⁾	120	250
14	10	1x B25667C5177A375	1x B44066D1410*400	1x B44066T0010E402	1x B44066T0022E400	10	35
14	12.5	1x B25667C5966A375 1x B25667C5127A375	1x B44066D1412*400	1x B44066T0010E402	1x B44066T0022E400	10	35
14	20	1x B25667C5347A375	1x B44066D1420*400	1x B44066T0025E402	1x B44066T0022E400	10	50
14	25	1x B25667C5197A375 1x B25667C5237A375	1x B44066D1425*400	1x B44066T0025E402	1x B44066T0022E400	16	63
14	40	2x B25667C5347A375	1x B44066D1440*400	1x B44066T0050E402	1x B44066T0022E400	35	100
14	50	3x B25667C5287A375	1x B44066D1450*400	1x B44066T0050E402	1x B44066T0022E400	50	125
14	100	5x B25667C5347A375	1x B44066D1499*400	1x B44066T0100E402	2x B44066T0022E400 ³⁾	120	250
Grid voltage: 400 V – 60 Hz dynamic detuned filters components selection table							
5.67	25	2x B25667C5197A375	1x B44066D5025*401	1x B44066T0025E402	1x B44066T0022E400	16	63
5.67	50	4x B25667C5197A375	1x B44066D5050*401	1x B44066T0050E402	1x B44066T0022E400	50	125
5.67	100	1x B25667C5177A375 6x B25667C5237A375	1x B44066D5100*401	1x B44066T0100E402	2x B44066T0022E400 ³⁾	120	250
7	25	2x B25667C5197A375	1x B44066D7025*401	1x B44066T0025E402	1x B44066T0022E400	16	63
7	50	4x B25667C5197A375	1x B44066D7050*401	1x B44066T0050E402	1x B44066T0022E400	50	125
7	100	1x B25667C5177A375 6x B25667C5237A375	1x B44066D7100*401	1x B44066T0100E402	2x B44066T0022E400 ³⁾	120	250
14	25	2x B25667C5177A375	1x B44066D1425*401	1x B44066T0025E402	1x B44066T0022E400	16	63
14	50	3x B25667C5237A375	1x B44066D1450*401	1x B44066T0050E402	1x B44066T0022E400	50	125
14	100	6x B25667C5237A375	1x B44066D1499*401	1x B44066T0100E402	2x B44066T0022E400 ³⁾	120	250

¹⁾ EPCOS offers reactors with slightly different specifications (e.g. dimensions) that can be used for the same application although sometimes with slightly different resulting performances. These types are distinguished by different letters at digit 12 of the product code. Thus this digit is not specified here. Please refer to the product pages 76ff for the EPCOS main product line.

²⁾ In some cases special interconnection of the single-phase capacitors needed; in case you are not familiar please contact our sales office for further details.

³⁾ In some cases special interconnection of the discharge resistors needed; in case you are not familiar please contact our sales office for further details.

⁴⁾ The above mentioned values are guidelines for operation in normal conditions at ambient temperatures up to +35 °C.

Various parameters such as temperature inside the cabinet, cable quality, maximum cable insulation temperature, single or multi core cable, cable length and laying system have to be considered for a proper selection. Upgrade/downgrade accordingly if conditions differ. Additionally do not forget to consider the regulations and standards which are valid for your country.

Component Selection Tables for Dynamic PFC



Component selection table for dynamic LV PFC antiresonance filter circuits

De-tuning factor %	Effective filter output kvar	Capacitor ²⁾ quantity and ordering code	Reactor ¹⁾ quantity and ordering code	Thyristor module quantity and ordering code	Discharge resistor ³⁾ quantity and ordering code	Cable ⁴⁾ cross-section mm ²	Fuse ⁴⁾ A
Grid voltage: 440 V – 50 Hz dynamic detuned filters components selection table							
5.67	25	2x B25667C5197A375	1x B44066D5025*440	1x B44066T0025E402	1x B44066T0022E400	16	63
5.67	50	2x B25667C5287A375 1x B25667C5197A375	1x B44066D5050*440	1x B44066T0050E402	1x B44066T0022E400	50	125
5.67	100	3x B25667C5287A375 2x B25667C5347A375	1x B44066D5100*440	1x B44066T0100E402	2x B44066T0022E400 ³⁾	95	200
7	25	2x B25667C5197A376	1x B44066D7025*440	1x B44066T0025E402	1x B44066T0022E400	16	63
7	50	2x B25667C5287A375 1x B25667C5197A375	1x B44066D7050*440	1x B44066T0050E402	1x B44066T0022E400	50	125
7	100	3x B25667C5287A375 2x B25667C5347A375	1x B44066D7100*440	1x B44066T0100E402	2x B44066T0022E400 ³⁾	95	200
14	25	6 x B25667C5177A175 ²⁾	1 x B44066D1425*440	3 x B44066T1022E520	3 x B44066T0022E400 ³⁾	16	63
14	50	12 x B25667C5177A175 ²⁾	2 x B44066D1425*440	3 x B44066T1022E520	3 x B44066T0022E400 ³⁾	50	125
14	100	12 x B25667C5177A175 ²⁾	1 x B44066D1499*440	6 x B44066T1022E520	6 x B44066T0022E400 ³⁾	2 x 50	2 x 125
Grid voltage: 440 V – 60 Hz dynamic detuned filters components selection table							
5.67	25	1x B25667C5177A375 1x B25667C5147A375	1x B44066D5025*441	1x B44066T0025E402	1x B44066T0022E400	16	63
5.67	50	1x B25667C5177A375 1x B25667C5237A375	1x B44066D5050*441	1x B44066T0050E402	1x B44066T0022E400	50	125
5.67	100	5x B25667C5237A375 1x B25667C5177A375	1x B44066D5100*441	1x B44066T0100E402	2x B44066T0022E400 ³⁾	95	200
7	25	1x B25667B5177A375 1x B25667B5147A375	1x B44066D7025*441	1x B44066T0025E402	1x B44066T0022E400	16	63
7	50	2x B25667B5237A375 1x B25667B5177A375	1x B44066D7050*441	1x B44066T0050E402	1x B44066T0022E400	50	125
7	100	5x B25667C5237A375 1x B25667C5127A375	1x B44066D7100*441	1x B44066T0100E402	2x B44066T0022E400 ³⁾	95	200
14	25	6 x B25667C5147A175 ²⁾	1 x B44066D1425*441	3 x B44066T1022E520	3 x B44066T0022E400 ³⁾	16	63
14	50	12 x B25667C5147A175 ²⁾	2 x B44066D1425*441	3 x B44066T1022E520	3 x B44066T0022E400 ³⁾	50	125
14	100	12 x B25667C5147A175 ²⁾	1 x B44066D1499*441	6 x B44066T1022E520	6 x B44066T0022E400 ³⁾	2 x 50	2 x 125

¹⁾ EPCOS offers reactors with slightly different specifications (e.g. dimensions) that can be used for the same application although sometimes with slightly different resulting performances. These types are distinguished by different letters at digit 12 of the product code. Thus this digit is not specified here. Please refer to the product pages 76ff for the EPCOS main product line.

²⁾ In some cases special interconnection of the single-phase capacitors needed; in case you are not familiar please contact our sales office for further details.

³⁾ In some cases special interconnection of the discharge resistors needed; in case you are not familiar please contact our sales office for further details.

⁴⁾ The above mentioned values are guidelines for operation in normal conditions at ambient temperatures up to +35 °C.

Various parameters such as temperature inside the cabinet, cable quality, maximum cable insulation temperature, single or multi core cable, cable length and laying system have to be considered for a proper selection. Upgrade/downgrade accordingly if conditions differ. Additionally do not forget to consider the regulations and standards which are valid for your country.

Component Selection Tables for Dynamic PFC



Component selection table for dynamic LV PFC antiresonance filter circuits

De-tuning factor %	Effective filter output kvar	Capacitor ²⁾ quantity and ordering code	Reactor ¹⁾ quantity and ordering code	Thyristor module quantity and ordering code	Discharge resistor ³⁾ quantity and ordering code	Cable ⁴⁾ cross-section mm ²	Fuse ⁴⁾ A
Grid voltage: 690 V – 50 Hz dynamic detuned filters components selection table							
5.67	25	3x B25667C5177A175 ²⁾	1x B44066D5025*690	1x B44066T0050E690	3x B44066T0022E400 ³⁾	6	35
5.67	50	3x B25667C5147A175 ²⁾ 3x B25667C5177A175 ²⁾	1x B44066D5050*690	1x B44066T0050E690	3x B44066T0022E400 ³⁾	25	80
5.67	100	6x B25667C5147A175 ²⁾ 6x B25667C5177A175 ²⁾	2x B44066D5050*690	2x B44066T0050E690	6x B44066T0022E400 ³⁾	2 x 25	2 x 80
7	25	3x B25667C5177A175 ²⁾	1x B44066D7025*690	1x B44066T0050E690	3x B44066T0022E400 ³⁾	6	35
7	50	3x B25667C5147A175 ²⁾ 3x B25667C5177A175 ²⁾	1x B44066D7050*690	1x B44066T0050E690	3x B44066T0022E400 ³⁾	25	80
7	100	6x B25667C5147A175 ²⁾ 6x B25667C5177A175 ²⁾	2x B44066D7050*690	2x B44066T0050E690	6x B44066T0022E400 ³⁾	2 x 25	2 x 80
14	25	3x B25667C5147A175 ²⁾	1x B44066D1425*690	1x B44066T0050E690	3x B44066T0022E400 ³⁾	6	35
14	50	6x B25667C5147A175 ²⁾ 6x B25667C5177A175 ²⁾	1x B44066D1450*690	1x B44066T0050E690	3x B44066T0022E400 ³⁾	25	80
14	100	12x B25667C5147A175 ²⁾	1x B44066D1450*690	2x B44066T0050E690	6x B44066T0022E400 ³⁾	2 x 25	2 x 80
Grid voltage: 690 V – 60 Hz dynamic detuned filters components selection table							
5.67	25	3x B25667C5147A175 ²⁾	1x B44066D5025*691	1x B44066T0050E690	3x B44066T0022E400 ³⁾	6	35
5.67	50	3x B25667C5117A175 ²⁾ 3x B25667C5147A175 ²⁾	1x B44066D5050*691	1x B44066T0050E690	3x B44066T0022E400 ³⁾	25	80
5.67	100	6x B25667C5117A175 ²⁾ 6x B25667C5147A175 ²⁾	2x B44066D5050*691	2x B44066T0050E690	6x B44066T0022E400 ³⁾	2 x 25	2 x 80
7	25	3x B25667C5147A175 ²⁾	1x B44066D7025*691	1x B44066T0050E690	3x B44066T0022E400 ³⁾	6	35
7	50	3x B25667C5117A175 ²⁾ 3x B25667C5147A175 ²⁾	1x B44066D7050*691	1x B44066T0050E690	3x B44066T0022E400 ³⁾	25	80
7	100	6x B25667C5117A175 ²⁾ 6x B25667C5147A175 ²⁾	2x B44066D7050*691	2x B44066T0050E690	6x B44066T0022E400 ³⁾	2 x 25	2 x 80
14	25	3x B25667C5117A175 ²⁾	1x B44066D1425*691	1x B44066T0050E690	3x B44066T0022E400 ³⁾	6	35
14	50	6x B25667C5117A175 ²⁾	1x B44066D1450*691	1x B44066T0050E690	3x B44066T0022E400 ³⁾	25	80
14	100	12x B25667C5117A175 ²⁾	2x B44066D1450*691	2x B44066T0050E690	6x B44066T0022E400 ³⁾	2 x 25	2 x 80

¹⁾ EPCOS offers reactors with slightly different specifications (e.g. dimensions) that can be used for the same application although sometimes with slightly different resulting performances. These types are distinguished by different letters at digit 12 of the product code. Thus this digit is not specified here. Please refer to the product pages 76ff for the EPCOS main product line.

²⁾ In some cases special interconnection of the single-phase capacitors needed; in case you are not familiar please contact our sales office for further details.

³⁾ In some cases special interconnection of the discharge resistors needed; in case you are not familiar please contact our sales office for further details.

⁴⁾ The above mentioned values are guidelines for operation in normal conditions at ambient temperatures up to +35 °C.

Various parameters such as temperature inside the cabinet, cable quality, maximum cable insulation temperature, single or multi core cable, cable length and laying system have to be considered for a proper selection. Upgrade/downgrade accordingly if conditions differ. Additionally do not forget to consider the regulations and standards which are valid for your country.

PFC Basic Formulas

The following electrical formulas may be used to calculate basic PFC values.

Active power

The amount of input power converted to output power is the active power.

$$P = \sqrt{3} \cdot V \cdot I \cdot \cos \varphi \quad [\text{W}]$$

Formula 1

Reactive power

The reactive power is the power consumed in an AC circuit due to the expansion and collapse of magnetic (inductive) and electrostatic (capacitive) fields.

$$Q = \sqrt{3} \cdot V \cdot I \cdot \sin \varphi \quad [\text{VAR}]$$

Formula 2

Apparent Power

The apparent power is the power delivered to an electric circuit.

$$S = \sqrt{3} \cdot V \cdot I \quad [\text{VA}]$$

Formula 3

Power factor

The power factor of an AC electrical power system is defined as the ratio of the real (active) power to the apparent power.

$$\text{Power factor} = \frac{\text{Active power}}{\text{Apparent power}} = \frac{P}{S}$$

Formula 4

Power Factor Correction

When the AC load is partly capacitive or inductive, the current waveform is out of phase with the voltage. This requires additional AC current to be generated that is not consumed by the load, creating I^2R losses in power cables. Capacitors are used to supply reactive energy to inductive loads. Reactive energy must be produced as closely as possible to the loads to prevent unnecessary flow of current in the network. This is known as power factor correction.

$$Q_C = P \cdot (\tan \varphi_1 - \tan \varphi_2) \quad [\text{VAR}]$$

Formula 5

Q_C : reactive power needed
 P : total active power
 φ_1 : actual angle of $\cos \varphi$ actual
 φ_2 : target angle of $\cos \varphi$ target

Connection and rating of capacitors

The reactive power of the capacitor is a function of its rated voltage and current.

$$Q_C = V_C \cdot I_C \quad [\text{VAR}]$$

Formula 6

$$Q_C = \frac{V_C \cdot V_C}{X_C} = \frac{(V_C)^2}{X_C}$$

Formula 7

$$X_C = \frac{1}{\omega \cdot C} = \frac{1}{2\pi \cdot f \cdot C}$$

Formula 8

f : frequency of network
 X_C : impedance of capacitor
 C : capacitance value

Formula (7) and (8) together

$$Q_C = (V_C)^2 \cdot \omega \cdot C = (V_C)^2 \cdot 2\pi \cdot f \cdot C$$

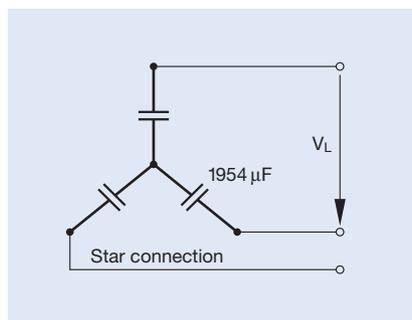
Formula 9

PFC Basic Formulas

Capacitor in three-phase PFC application

Three-phase PFC applications have two types of capacitor connections: star and delta.

• STAR connection



$$Q_{TOT} = 3 \cdot Q_C$$

Formula 10

$$V_C = V_L / \sqrt{3}$$

Formula 11

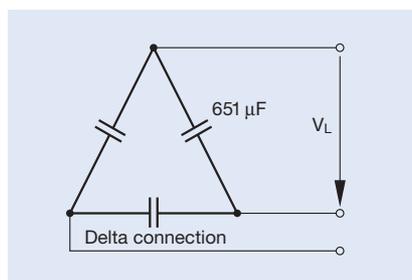
From formulas (9), (10) and (11)

$$Q_{TOT} = 3 \cdot \frac{(V_L)^2}{(\sqrt{3})^2} \cdot \omega \cdot C_{STAR}$$

$$C_{STAR} = \frac{Q_{TOT}}{(V_L)^2 \cdot \omega} = \frac{Q_{TOT}}{(V_L)^2 \cdot 2\pi \cdot f}$$

Formula 12

• DELTA connection



$$V_C = V_L$$

Formula 13

From formulas (9), (10) and (13)

$$Q_{TOT} = 3 \cdot (V_L)^2 \cdot \omega \cdot C_{DELTA}$$

$$C_{DELTA} = \frac{Q_{TOT}}{3 \cdot (V_L)^2 \cdot \omega} = \frac{Q_{TOT}}{3 \cdot (V_L)^2 \cdot 2\pi \cdot f}$$

Formula 14

As a conclusion formula (12) and (14)

$$C_{DELTA} = \frac{C_{STAR}}{3}$$

Formula 15

Capacitor output kvar:

From the formula (9), if we find the Q_{New} with ratio: C will be constant.

$$Q_{New} = \left(\frac{V_{New}}{V_C} \right)^2 \cdot \frac{f_{New}}{f_R} \cdot Q_C$$

Formula 16

These values are operating conditions:

Q_{New} : new reactive power

V_{New} : new voltage

f_{New} : new frequency

These values are the values capacitor is designed:

Q_C : rated capacitor reactive power

V_C : rated capacitor voltage

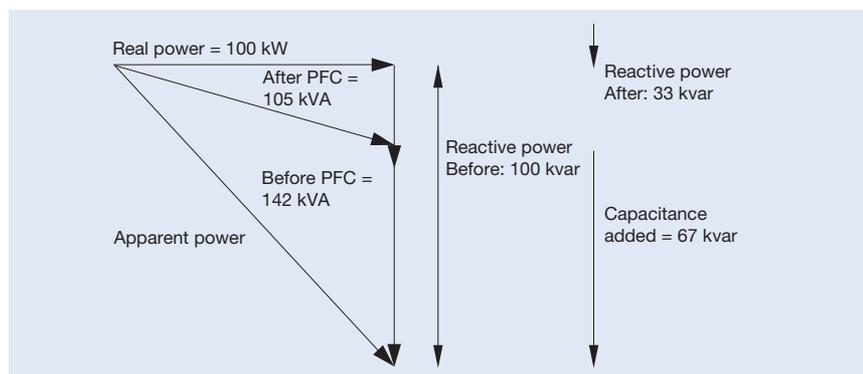
f_R : rated frequency

Calculation examples

Example 1:

The relationship between active, reactive and real power and $\cos \varphi$.

In the diagram below, the power triangle shows an initial power factor of 0.70 for a 100 kW (real power) inductive load. The reactive power required by the load is 100 kvar. By installing a 67-kvar capacitor, the apparent power is reduced from 142 to 105 kvar, resulting in a 26% reduction in current. The power factor is improved to 0.95.



Formulas used (1), (2), (3) and (4).

Power factor calculations:

Before PFC: $100/142 = 0.70$ or 70%

After PFC: $100/105 = 0.95$ or 95%

PFC Basic Formulas

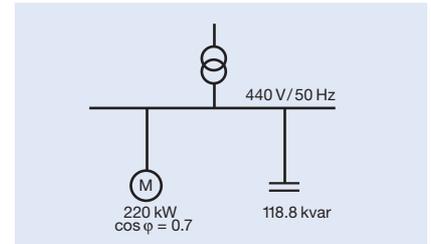
Example 2: Calculation of capacitor rating for industrial installation

Given parameters:

Induction motor	220 kW
Network	440 V AC, (line delta)
	3-phase
Frequency	50 Hz
Power factor	
– Current $\cos \varphi$	0.7
– Target $\cos \varphi$	0.9

Target to correct the power factor to 0.9:

$$\begin{aligned} \cos \varphi_1 &= 0.7 & \tan \varphi_1 &= 1.02 \\ \cos \varphi_2 &= 0.9 & \tan \varphi_2 &= 0.48 \\ Q_C &= P (\tan \varphi_1 - \tan \varphi_2) \\ &= 220 \cdot 1000 (1.02 - 0.48) \\ &= 118.8 \text{ kvar} \end{aligned}$$



Example 3: Calculating capacitor ratings for DELTA and STAR connections in example 2

STAR connection:

$$V_C = \frac{V_L}{\sqrt{3}} = \frac{440}{\sqrt{3}} = 254 \text{ V}$$

$$C_{\text{STAR}} = \frac{Q_{\text{TOT}}}{(V_L)^2 \cdot \omega} = \frac{Q_{\text{TOT}}}{(V_L)^2 \cdot 2\pi \cdot f}$$

$$C_{\text{STAR}} = \frac{118.8 \cdot 1000}{(440)^2 \cdot 2\pi \cdot 50} = 1954 \text{ } \mu\text{F} / \text{Line (phase)}$$

$$C_{\text{TOT}} = 5862 \text{ } \mu\text{F}$$

DELTA connection:

$$V_C = V_L = 440 \text{ V}$$

$$C_{\text{DELTA}} = \frac{Q_{\text{TOT}}}{3 \cdot (V_L)^2 \cdot \omega} = \frac{Q_{\text{TOT}}}{3 \cdot (V_L)^2 \cdot 2\pi \cdot f}$$

$$C_{\text{DELTA}} = \frac{118.8 \cdot 1000}{3 \cdot (440)^2 \cdot 2\pi \cdot 50} = 651 \text{ } \mu\text{F} / \text{Line (phase)}$$

$$C_{\text{TOT}} = 1954 \text{ } \mu\text{F}$$

Example 4: Calculating apparent power reduction (S1–S2) in example 2

$$S_1 = P / \cos \varphi_1 = 220 / 0.7 = 314 \text{ kVA}$$

$$S_2 = P / \cos \varphi_2 = 220 / 0.9 = 244 \text{ kVA}$$

$$S_1 - S_2 = 70 \text{ kVA}$$

Thus, additional power of $70 \cdot (0.9) = 63 \text{ kW}$ can be supplied and transferred via the existing network.

Cable cross section calculation

Line current drawn by the motor:

I_1 uncompensated load (0.7):

$$I_1 = \frac{220 \cdot 1000}{\sqrt{3} \cdot 440 \cdot (0.7)} = 412 \text{ A}$$

I_2 compensated load (0.9):

$$I_2 = \frac{220 \cdot 1000}{\sqrt{3} \cdot 440 \cdot (0.9)} = 320 \text{ A}$$

Thus, the cable can carry an additional load of 92 A, or the designer can reduce the cable cross section.

Cautions

Temperature class of capacitors (according IEC 60831-1)			
Temperature class	Temperature of capacitor surrounding air		
	Maximum	Maximum mean for 24 h	Maximum mean for 1 year
B	+45 °C	+35 °C	+25 °C
C	+50 °C	+40 °C	+30 °C
D	+55 °C	+45 °C	+35 °C

Enclosure of capacitors (IPxx)		
Enclosure	First digit	Second digit
IP00	No protection against finger touch and ingress of solid foreign bodies	No protection against ingress of water
IP20	Protection against finger touch and solid foreign bodies ≥ 12.5 mm diameter	No protection against ingress of water
IP41	Protection against tool touch and solid foreign bodies ≥ 1 mm diameter	Drip-water protection
IP54	Protection against tool touch and solid foreign bodies ≥ 1 mm diameter, protection against dust deposit	Splash water protection

Maximum admissible overvoltage			
Frequency (50 / 60 Hz)	Max. voltage (V_{rms})	Max. duration	Remarks
Line frequency	$1.00 \cdot V_R$	Continuous duty	Highest mean during entire operating time of capacitor; exceptions (see below) are admissible for times of < 24 h
Line frequency	$1.10 \cdot V_R$	8 h daily	Line voltage fluctuations
Line frequency	$1.15 \cdot V_R$	30 min daily	Line voltage fluctuations
Line frequency	$1.20 \cdot V_R$	5 min daily	Line voltage fluctuations
Line frequency	$1.30 \cdot V_R$	1 min daily	Line voltage fluctuations
Line frequency with harmonics	Such that current does not exceed maximum admissible figure ($I_{max.} = 1.3 \cdot I_R$)		

Temperature class of capacitors to standard IEC 60831-1

Capacitors are divided into temperature classes. Each class is represented by a number followed by a letter, e.g. -40/D. The number is the lowest ambient temperature at which a capacitor may operate. The upper limit temperature is indicated by the letter (see table above).

The useful life of a capacitor depends very much on temperature. Proper cooling of a capacitor must ensure that the maximum temperature is not exceeded, otherwise useful life is degraded. When configuring a circuit, one should make sure that capacitors are not subjected to heat from

adjacent components (reactors, bus bars, etc). Forced cooling is preferable for compact designs. And it is highly inadvisable to arrange capacitors directly above reactors. Exceeding specified temperature limits may set in worst case the safety device out of operation.

Cautions

Enclosure of capacitors (IPxx)

For different models there are different types of enclosure. The type of enclosure is indicated by a designation consisting of the two letters IP followed by two digits.

Current rating / maximum admissible overcurrent

The rated current (I_R) is the current resulting for rated voltage (V_R) and frequency (in Hz), excluding transients. Maximum permitted rms current for each particular capacitor is specified in the data sheet. Continuously exceeding of the nominal current will lead to increased self-heating of the capacitor and reduce life time. The maximum admissible overcurrent (I_{max}) of $1.3 \cdot I_R$ to IEC 60831 standard is maintained or overachieved by all capacitors in this catalog. The figures for overcurrent allow for the combined effects of harmonics, overvoltage and capacitance tolerance.

Maximum admissible overvoltage

Capacitors from EPCOS are suitable for operation on overvoltages quoted by IEC 60831 (see table). Overvoltages higher than $1.15 \cdot V_R$ reduce life time of the capacitor and must not occur more than 200 times during life time of capacitor. Overvoltages above $1.3 \cdot V_R$ must not occur at all, appropriate overvoltage protection (e.g. against lightning strikes) must be ensured.

Mean life expectancy

The mean life expectancy of power capacitors is mainly governed by the following factors:

- duration of overload,
- ambient temperature and the resulting case temperature,
- maximum rms current and the resulting case temperature,
- voltage height and duration.

The calculated life expectancy of the various series is stated for nominal operating conditions. If components are stressed less than the IEC 60831 factors, longer useful life can be expected, and a correspondingly shorter one or increased failure rate if nominal parameters are exceeded.

Fuse protection

Power capacitors have to be protected against short circuits by fuses or thermal magnetic overcurrent relays. Slow-blow, low-voltage high-breaking-capacity fuses (HRC) are preferable. The fuse rating should be 1.6 to 1.8 times the rated current of the capacitor. Magnetic short circuit relays should be set to between 9 and 12 times rated current to prevent them responding to high inrush currents. Maximum allowed fault current of 10 000 A in accordance with UL 810 standard must be ensured by the application design.

⚠ HRC fuses must not be used for switching. Resulting electric arcing can cause death! It may also cause capacitor failures, and result, worst case, in capacitor bursting and fire.

Cautions

Switching of capacitors

When a capacitor is switched to an AC system, the result is a resonant circuit damped to a greater or lesser degree. In addition to the rated current, the capacitor accepts a transient current that is a multiple of (up to 200 times) its rated current. Fast switching, low-bounce contactors should be used, and have the switching capacity for capacitive currents stated by the producer. Special capacitor contactors with leading contacts that feature precharging resistors to damp inrush currents are recommended. As per IEC 60831 standard, a maximum of 5000 switching operations per year is acceptable. Before considering a higher number of switching operations, please contact our sales office.

Discharging

Capacitors must be discharged to a maximum of 10% of rated voltage before they are switched in again. This prevents an electric impulse discharge in the application, influences the capacitor's useful life in PFC systems, and protects against electric shock. The capacitor must be discharged to 75 V or less within 3 min. There must not be any switch, fuse or any other disconnecting device in the circuit between the power capacitor and the discharging device. EPCOS supplies capacitor discharge resistors to all series, alternatively discharge reactors are available.

⚠ Caution: Discharge and short circuit capacitor before handling!

Capacitors in networks with harmonics

Harmonics are produced in the operation of electric loads with a nonlinear voltage / current characteristic (e.g. rectifiers and inverters for drives, welding apparatus and uninterruptible power supplies). Harmonics are sinusoidal voltages and currents with higher frequencies of a multiple of the 50 or 60 Hz line frequency. In low-voltage three-phase systems the 5th and 7th harmonics are especially troublesome. Detuned PFC should be used in systems subject to harmonics. This represents a series resonant circuit of power capacitor and reactor. The circuit is tuned so that the series resonant frequency is below the lowest harmonics

appearing in the system. This produces an inductive response to all frequencies above the series resonant frequency, avoiding resonances with system inductances. Depending on the selected series resonant frequency, part of the harmonic current is taken up by the detuned PFC system. The remainder of the harmonic current flows into the superordinate system. The use of detuned PFC thus contributes to reducing voltage distortion through harmonics and lessens the disturbing effect on proper operation of other electric loads.

Most international standards limit THD-V on LV side to 5%. However it has to be noted that in many grids these levels are exceeded and even lower distortion, e.g. 3–4% THD-V can generate extreme overcurrents in case of resonance condition.

Maximum overcurrents as specified under technical data of each series must not be exceeded.

Resonance must be avoided by appropriate panel design. Resonance may cause very high overcurrents which can lead to capacitor failures, and worst case, to explosion and fire.

Cautions

Mechanical damage

In case of dents or any other mechanical damage, capacitors must not be used at all.

Vibration resistance

The resistance to vibration of capacitors corresponds to IEC 68, part 2–6.

Max. test conditions:

Test duration	2 h	
Frequency range	10 ... 55 Hz	corresponding to max. 0.7 g
Displacement amplitude	0.75 mm	

Because the fixing and the terminals may influence the vibration properties, it is necessary to check stability when a capacitor is built in and exposed to vibration. Irrespective of this, you are advised not to locate capacitors where vibration amplitude reaches the maximum in strongly vibrating equipment.

Connection

Make sure connection cables are of flexible type or flexible copper bands are used. This is mandatory to allow the overpressure disconnecter work and avoid mechanical stress on the terminals and feedthroughs.

The connection cables to the capacitor should be designed for a current of at least 1.5 times the rated current so that no heat is conducted into the capacitor. If reactors are used in an application, the distance between reactor and capacitor must be great enough so that no heat of the reactors, which are operating at a much higher temperature level, is conducted via connection cable to the capacitors.

Avoid bending cable lugs, cables or other mechanical force on the terminals. Otherwise leakages may set the safety device out of operation.

Ensure firm fixing of terminals, fixing torque to be applied as per individual specification.

Maximum specified terminal current (please refer to technical data of specific series) must not be exceeded at any case.

Grounding

The threaded bottom stud of the capacitor has to be used for grounding. In case grounding is done via metal chassis that the capacitor is mounted to, the layer of varnish beneath the washer and nut should be removed.

Storage and operating conditions

Do not use or store capacitors in corrosive atmosphere, especially where chloride gas, sulfide gas, acid, alkali, salt or the like are present. In dusty environments regular maintenance and cleaning especially of the terminals is required to avoid conductive path between phases and / or phases and ground.

Installation

Specifications like IEC 61921, VDE 0100, VDE 0101, VDE 0560 part 4 and 46, EN 60831 and IEC 60831 apply to the installation and operation of power capacitors. Capacitors should be sited in cool and well ventilated locations away from other heat-radiating elements. Natural heat dissipation is generally sufficient for cooling purposes if enough air is able to flow to and away from them and the capacitors are spaced at least 20 mm

apart. Otherwise, in a less well ventilated environment, forced cooling (fans) will be necessary, scaled so that the maximum admissible ambient temperature is not exceeded.

Useful life of capacitors strongly depends on the operating temperature (refer to page 113, temperature classes of capacitors).

Exceeding maximum allowed temperature may set the safety device out of operation.

Please read the *Installation and Maintenance Instructions* on the Internet at www.epcos.com/pfc.

Note

Products shown in this catalog reflect typical specifications. You are kindly requested to approve our product specifications or request our approval for your specification before ordering.

Cautions

Reactors – Antiresonance harmonic filter

During operation, all electrically active parts of this equipment such as windings, electronic components, leads, fuses and terminals carry a dangerous voltage which can lead to burns or electric shock.

Covers which protect these electrically active parts from being touched must not be opened or removed during operation.

Before any assembly or maintenance work is started, all installations and equipment must be disconnected from the power source.

Noncompliance with these instructions may lead to death, serious injury or major damage to equipment.

In order to exclude impermissible temperatures and thus overload of the insulation system, the following directions must additionally be observed:

1. Only those protective devices specified on the type plates, such as fuses and motor protection switches, may be used. It is mandatory to observe the set values specified for the motor protection switches. Any temperature-sensitive protective devices such as temperature switches and temperature sensors must be connected in accordance with the installation instructions.
2. High temperatures are permissible for the surfaces under rated operating conditions, and especially in the event of overload. Depending on the temperature class and type of loading, these may attain values of up to 260 °C and may also affect adjacent components which have been packed too densely.

3. The insertion position should be selected so that any cooling ducts present within the winding are arranged vertically and that the current of cooling air is not impeded by adjacent components, connecting leads etc.
4. The maximum voltage of the insulating system specified on the type plate must not be exceeded.

Noncompliance with these instructions may lead to considerable damage to equipment or fire due to impermissibly high temperatures.

Thyristor modules (TSM-series)

- Live parts in the PFC equipment must not be touched!
- Warning signs in the PFC systems are required!
- Wait 10 minutes after the main switch is turned off – until the voltage in the system has dropped to an uncritical value.
- In non-detuned systems (400 V grid) capacitors with a higher voltage rating (e.g. 440 V) are needed.
- In detuned systems (400 V grid) capacitors with a voltage of 525 V are needed.
- For discharging the capacitors, special high-voltage resistors type EW-22 are required. Standard resistors cannot be used!
- In dynamic PFC systems discharge reactors cannot be used (this would be a short circuit of the highvoltage DC)!
- In PFC systems without filter circuit reactors current limiting reactors are required (e.g. BD-series) for the TSM.
- For short circuit protection, super-fast electronic fuses for protection of the thyristor are required, standard HRC fuses are not suitable. See selection table on pages 95 and 96.
- Failure to follow cautions may result, worst case, in premature failures or physical injury.

Capacitor contactors

In case auxiliary contacts are used for switching of discharge resistors (not in accordance with IEC 60831 standard), make sure that the current of the discharge resistors is not higher than the rated current of the auxiliary contacts.

Only flame-resistant and self-extinguishing materials may be used in the proximity of capacitor contactors because abnormal temperatures cannot be ruled out in the area near the resistance spirals.

Capacitor contactors N110/N230 may only be used in PFC systems with reactors.

PF controllers (BR604, BR6000 and BR7000 series)

Controller hunting: When putting the capacitor bank into operation, it is required to avoid needless switching cycles (means permanent switching on and off of steps without significant change of consumer loads). This so called “controller hunting” would increase the number of switching operations of the connected contactors and capacitors, decrease the expected life cycle (wear out) and result, in worst case, in bursting and fire etc. This can be avoided by a proper programming of the PF controllers with the actual system parameters (current transformer prim. and sec., first kvar step, control series, switching time).

The “ZVEI General safety recommendations for power capacitors” must be observed in addition to the safety instructions given in this catalogue and in the particular data-sheets. They are available on the EPCOS website in the various product groups. They may also be called up from the ZVEI website.

Get in Contact Sales Worldwide

EUROPE

Austria

TDK Austria GesmbH
Wien
T +43 1 25 63 630 56 39
F +43 1 25 63 630 56 44
sales.austria@eu.tdk.com

Bulgaria, Greece, Macedonia

TDK Austria GesmbH
Wien
T +43 1 25 63 630 56 30
F +43 1 25 63 630 56 44
sales.csee@eu.tdk.com

Czech Republic

TDK Czech s.r.o.
Praha
T +420 2 33 03 22 81
F +420 2 33 03 22 89
sales.czech@eu.tdk.com

Finland, Estonia

TDK NORDIC OY
Espoo
T +358 9 54 80 70 00
F +358 9 54 80 70 01
sales.nordic@eu.tdk.com

France, Belgium, Luxembourg, Malta

TDK Electronics France SAS
Pantin
T +33 1 49 46 67 89
F +33 1 49 46 67 67
sales.france@eu.tdk.com

Germany, Liechtenstein, Netherlands, Switzerland

TDK Europe GmbH
München
Customer Service
T (D) 0180 500 33 48
(0.14 Euro/min.)
T (NL) +31 70 33 10 611
T (CH) +49 89 54020 2691
F +49 89 54020 2913
sales.germany@eu.tdk.com

Hungary

TDK Electronics Hungary Ltd.
Budapest
T +36 1 436 07 20
F +36 1 436 07 21
sales.hungary@eu.tdk.com

Italy

TDK Italy S.r.l.
Milan
T +39 02 50 99 54 25
F +39 02 50 99 54 55
sales.italy@eu.tdk.com

Poland, Latvia, Lithuania

TDK Polska Sp. z o.o.
Warszawa
T +48 22 24 60 409
F +48 22 24 60 400
sales.poland@eu.tdk.com

Portugal

TDK Electronics Spain S.L.U.
Barcelona
T +34 93 480 42 94
F +34 93 480 42 31
sales.iberia@eu.tdk.com

Romania

TDK Sales Contact
Brasov
T +40 724 58 84 94
sales.romania@eu.tdk.com

Russia, Belarus, Kazakhstan,

Moldavia, Ukraine

TDK CIS LLC
Moscow
T +7 495 663 21 00
F +7 495 663 21 22
sales.cis@eu.tdk.com

Slovakia

TDK Sales Contact
Doin y Kubin
T +421 435 82 36 73
sales.slovakia@eu.tdk.com

Slovenia

TDK Sales Contact
Škofljica
T +386 59 95 63 53
sales.slovenia@eu.tdk.com

Bosnia and Herzegovina, Croatia, Montenegro, Serbia,

Slovenia

TDK Austria GesmbH
Wien
T +43 1 25 63 630 56 30
F +43 1 25 63 630 56 44
sales.slovenia@eu.tdk.com

Spain

TDK Electronics Spain S.L.U.
Getafe (Madrid)
T +34 91 514 71 62
F +34 91 514 70 14
sales.iberia@eu.tdk.com

Sweden, Iceland, Denmark,

Norway

TDK NORDIC AB
Kista
T +46 8 4 77 27 00
F +46 8 4 77 27 01
sales.nordic@eu.tdk.com

Turkey

TDK Europe GmbH
Liaison Office Turkey
Kozyatagi Istanbul
T +90 216 5 69 81 00
F +90 216 4 64 07 56
sales.turkey@eu.tdk.com

United Kingdom, Ireland

TDK UK Limited
Bracknell, Berkshire
T +44 13 44 38 15 10
F +44 13 44 38 15 12
sales.uk@eu.tdk.com

ASIA

Afghanistan, Iran, Iraq, Jordan, Lebanon, Pakistan, Syria

TDK Europe GmbH
Liaison Office Turkey
Kozyatagi Istanbul
T +90 216 5 69 81 00
F +90 216 4 64 07 56
sales.turkey@eu.tdk.com

China

EPCOS (Shanghai) Ltd.
Shanghai
T +86 21 22 19 15 00
F +86 21 22 19 15 99
sales.cn@epcos.com

EPCOS Limited

Hong Kong
T +852 36 69 82 00
F +852 36 69 82 56
sales.cn@epcos.com

India, Bahrain, Bangladesh,

Kuwait, Nepal, Oman, Qatar, Saudi Arabia, Sri Lanka, United Arab Emirates

EPCOS India Private Ltd.
Bangalore
T +91 80 40 39 06 16
F +91 80 40 39 06 03
sales.in@epcos.com

Israel

TDK Sales Representative
Kibbutz Givat-Hashlosha
T +972 73 2676 317
sales.israel@eu.tdk.com

Japan

TDK Corporation
Tokyo
T +81 3 68 52 71 53
inquiry@jp.tdk.com

Korea

EPCOS Korea LLC
Seoul
T +82 2 21 56 68 18
F +82 2 21 56 68 98
sales.kr@epcos.com

Malaysia

EPCOS RDC SDN. BHD.
c/o TDK (M) SDN BHD
Nilai
T +60 6 797 8827
F +60 6 797 8824
sales.asean@epcos.com

Philippines

c/o TDK Electronics Philippines Corporation
Binan, Laguna
T +63 49 541 31 41 66 30 / 31
F +63 49 541 31 40
sales.asean@epcos.com

Singapore, Indonesia, Thailand, Vietnam

EPCOS Pte., Ltd.
Singapore
T +65 68 41 20 11
F +65 67 44 69 92
sales.asean@epcos.com

Taiwan

EPCOS Taiwan Co. Ltd.
Taipei
T +886 2 26 55 76 76
F +886 2 27 82 03 89
sales.tw@epcos.com

AMERICAS

USA, Canada, Mexico

EPCOS Inc.
Iselin, NJ
T +1 732 9 06 43 00
F +1 732 9 06 43 95
sales.usa@epcos.com

SOUTH AMERICA

Brasil

EPCOS do Brasil Ltda.
São Paulo
T +55 11 32 89 95 99 Ext. 6851
F +55 11 32 89 99 40
sales.br@epcos.com

AUSTRALIA

Australia, New Zealand

Electronic Component Solutions Pty Ltd
Melbourne
T +61 3 95 66 72 17
F +61 3 95 66 72 99
sales.au@epcos.com

AFRICA

Egypt

TDK Europe GmbH
Liaison Office Turkey
Kozyatagi Istanbul
T +90 216 5 69 81 00
F +90 216 4 64 07 56
sales.turkey@eu.tdk.com

Morocco, Tunisia

TDK Electronics France SAS
Pantin
T +33 1 49 46 67 89
F +33 1 49 46 67 67
sales.france@eu.tdk.com

Get in Contact

Distributors and Sales Contact Worldwide

EUROPE

Croatia, Serbia

ERG d.o.o.
Varazdin
T +385 42 35 17 77
F +285 42 35 17 70
erg@erg.hr

Czech Republic

EL-INSTA ENERGO s.r.o.
Hrusovany u Brna
M +420 7 76 74 82 39
T +420 5 47 23 62 70
ikarban@el-insta.cz

Greece

Siemens A.E.
Amaroussio/Athens
T +30 210 68 64 148
F +30 210 68 64 562

Italy

Trendfin s.r.l.
Limena (PD)
T +39 049 88 48 011
F +39 049 88 48 143
info@technologic-pfc.com

Lithuania

Elgerta LTD
Vilnius
T +370 5 265 26 89
F +370 5 265 08 28
lithuania@elgertagroup.com

Poland

Elhurt Sp. Z o.o.
Gdansk
T +48 58 554 08 00
F +48 58 554 08 06
elhurt@elhurt.com.pl
OLKO ELECTRONICS Sp. Z o.o.
Gdansk
T +48 58 554 29 11
F +48 58 554 24 53
gdansk@olkoelectronics.pl

Serbia

Green Plus d.o.o.
Novi Beograd
T +381 11 22 843 22
www.greenplus.co.rs
Montprojekt d.o.o.
Beograd
T +381 11 71 29 231
office@montprojekt.rs

Turkey

EPKOM ELEKTRONIK LTD. STI.
Istanbul
T +90 216 463 39 01
F +90 216 463 39 05
info@epkom.com

United Kingdom, Ireland

Europower Components Ltd.
Lincoln (UK)
T +44 15 22 51 42 31

Alcorn Energy Systems
Down (Northern Ireland)
T +44 2844 821197

Demesne Electrical Sales Limited
Dublin (Ireland)
T +353 1 404 7700

ASIA

Bangladesh

S.A. Traders & Co.
Dhaka
T +880 2 955 83 40
F +880 2 956 57 26

Indonesia

PT Industrindo Niagatama
Jakarta Utara
T +62 21 65 30 26 58
F +62 21 65 30 26 59
sales@industrindo.co.id

Iran

Saba Khazen Co.
Tehran
T +98 21 88 88 90 13
F +98 21 88 77 20 67
info@sabakhazen.com

Iraq

RS Headquarter / Baghdad
T (IQ) +96 47 80 91 75 872
info@rabanalsafina.com
RS Dubai Branch
T (AE) +97 14 33 77 551
rsdubai@rabanalsafina.com

Israel

Nisko Electricity & Electronics Ltd.
Tel Aviv
T +972 37 65 71 00
F +972 37 65 71 10

Malaysia

Alpha Automation (Selangor)
Sdn. Bhd.
Selangor
T +60 3 55 69 36 98
F +60 3 55 69 40 99
alphamail@alphakl.com

Philippines

GTB Industrial Network, INC
Manila
T +63 2 563 83 38 to 42
F +63-2 563 25 29
bong.paggabao@asiaphil.com
aldrin.ocampo@asiaphil.com

Saudi Arabia

Powerline Solutions Trading
Dammam
T +966 38 30 36 11 Ext. 106
F +966 38 32 40 77
bijugeorge@powerlinesolutions.net

Singapore

Asia Electric Technologies Pte Ltd
Singapore
T +65 62 98 85 50
F +65 62 99 60 69
lvan.lim@aet.com.sg

Sri Lanka

K.I.K. Engineering Co. (Pvt) Ltd.
Mount Lavinia
T +94 11 271 74 13
F +94 11 271 50 55
Oswald@kik.lk

Syria

ZAHABI CO.
Aleppo
T +963 21 21 22 234
F +963 21 21 22 237
iyad@zahabico.com

Thailand

ITM Capacitors Co. Ltd.
Samut Prakam
T +66 2 336 11 16
F +66 2 336 11 14
tm@itm.co.th

United Arab Emirates, Qatar

Gama Electrical CO. LLC
Sharjah
T +971 65 33 54 53
F +971 65 33 81 82
info@gama.ae

Vietnam

LTP Tech Co. Ltd
Ho Chi Minh City
T +84 8 35 15 89 60
F +84 8 35 15 89 66
info@ltptech.vn

SOUTH AMERICA

Argentina

ELECOND CAPACITORES S.A
Buenos Aires
T +54 11 43 03 12 03
F +54 11 43 03 12 10
info@elecond.com.ar

Bolivia

Electric Mundial S. R. L
Charcas
T +59 13 33 32 90 91
F +59 13 33 32 833
import@electricmundial.com.bo

Siemens S.A.

Santa Cruz de la Sierra
T +59 13 31 10 011 Ext. 7013
F +59 13 31 12 000
edson.calderon@siemens.com

Brazil

IFG ELETROMECANICA LTDA
Gravataí
T +55 51 34 88 25 65
F +55 51 34 31 38 87
ifg@ifg.com.br

RIONEPAR

Rio de Janeiro
T +55 21 38 99 35 33
F +55 21 38 99 35 33
rionepar@uol.com.br

SIEMENS LTDA

São Paulo
T +55 11 38 33 48 38
F +55 11 38 33 48 50
fabricio.falcao@siemens.com

TELKO ELETRONICA LTDA

São Paulo
T +55 11 39 76 95 35
F +55 11 39 78 21 78
telko@telko.com

WGR Indústria e Comércio Importação e Exportação LTDA

São Paulo
T +55 11 21 55 55 29
F +55 11 21 55 55 16
cesar@wgr.com.br

Chile

SIEMENS S. A.
Santiago de Chile
T +56 2 477 14 85
F +56 2 477 10 58
eduardo.gama@siemens.com

Colombia

ESPECIALIDADES ELÉCTRICAS
S.A.
Calli
T +572 3 81 51 81
F +572 4 46 44 62
servicioalcliente@espelectric.com

SIEMENS S. A.

Bogota
T +57 1 4 25 32 90
F +57 1 2 94 23 03
leonardo.rodriguezle@siemens.com

Costa Rica

SIEMENS S.A
San Jose
T +506 22 87 51 72
F +506 22 33 58 11
alvaro.lizano@siemens.com

Ecuador

SIEMENS S.A
Guayaquil
T +593 2 25 82 60
F +593 2 294 39 01
jimmy.chica.munoz@siemens.com

El Salvador

SIEMENS S. A.
San Salvador
T +503 22 78 02 33
carlos.bermudez@siemens.com

Guatemala

SIEMENS S. A.
Ciudad de Guatemala
T +502 2 423 13 72
F +502 2 379 23 57
oscarssanchez@siemens.com

Paraguay

LUMINOTECNIA
Assuncion
T +595 22 49 23 87
F +595 21 60 65 20
cristina.benitez@grupoluminotecnica.com

Peru

SIEMENS S. A.
Lima
F +51 1 421 92 92
jerson.zelada@siemens.com

Uruguay

MGI S.A
Montevideo
T +598 29 24 70 80 Ext. 103
mpendola@mgi.com.uy

Venezuela

EMI – EUIPOS Y SISTEMAS
Caracas
T +582 1 22 43 64 01
F +582 1 22 43 64 01
mduarte@emi-ve.com
SAER
Maracay
T +582 4 3 55 44 878 Ext. 8
F +582 4 3 55 44 674
silvia@saervenca.com

AUSTRALIA

Australia, New Zealand
Electronic Component Solutions
Pty Ltd
Melbourne (VIC)
T +61 3 95 66 72 17
F +61 3 95 66 72 99
sales.au@epcos.com

AFRICA

Egypt

Egyptelectronics
Maaadi, Helwan
T +202 27 51 51 08
F +202 27 51 51 08
sales.egypt@epcos.com

Republic of South Africa

Electrocomp (PTY) Ltd.
Sandton
T +27 11 458 90 00
F +27 11 458 90 34
sales.southernafrica@epcos.com

04/16

The addresses of our worldwide distributors and regional sales offices are available at www.epcos.com/sales

© EPCOS AG, Corporate Communications, P.O.Box 80 17 09, 81617 Munich, Germany

Reproduction, publication and dissemination of this publication and the information contained therein without EPCOS' prior express consent is prohibited.

